



# MULCHING MOWER (70cm) ATTACHMENT

(ZANON)

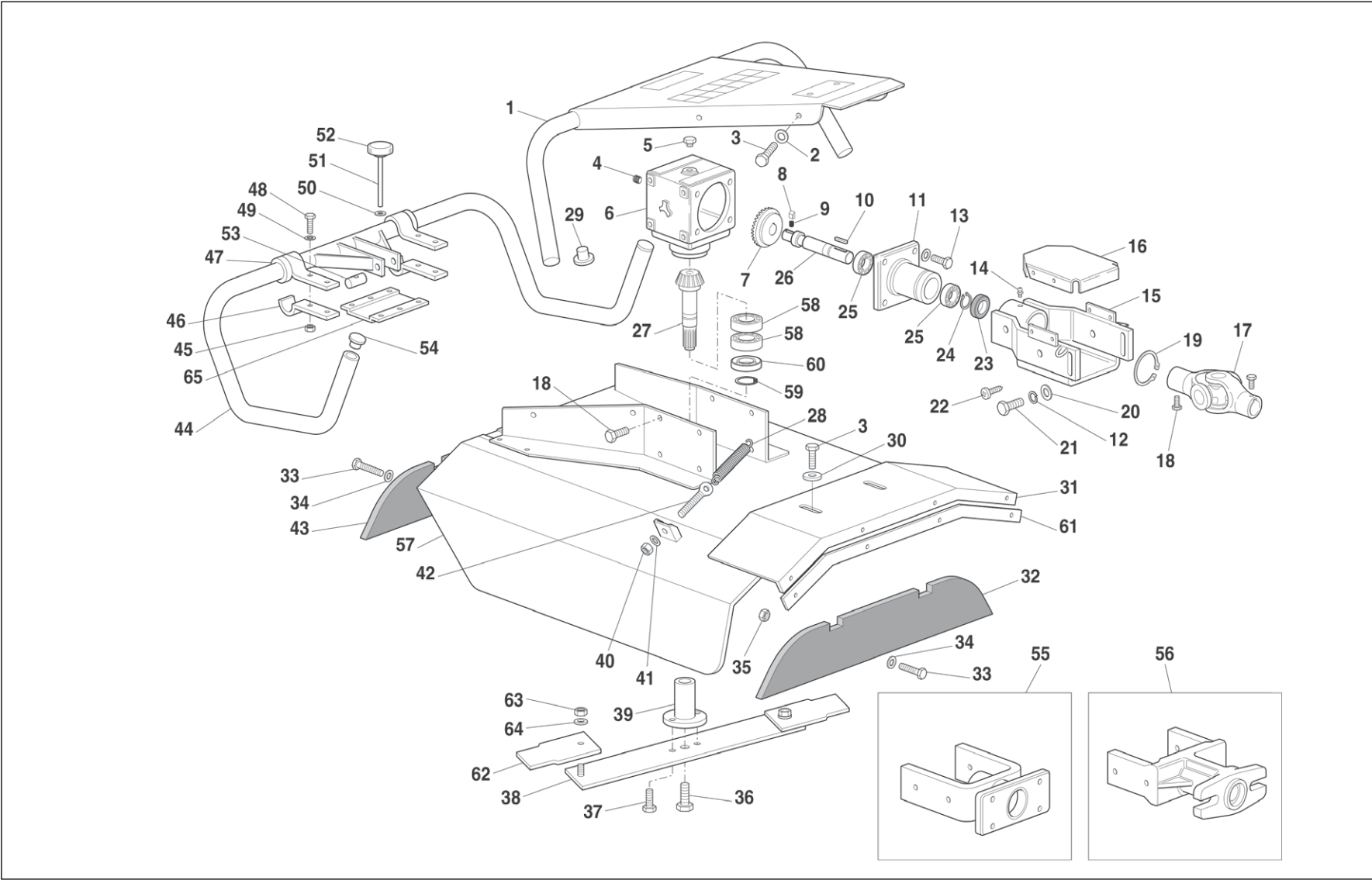
## PARTS DIAGRAMS



Tracmaster Ltd | Sovereign Centre | Victoria Road | Burgess Hill | RH15 9LR | UK

Tel: +44 (0)1444 247689 | F: +44 (0)1444 871612 | [www.tracmaster.co.uk](http://www.tracmaster.co.uk) | [spares@tracmaster.co.uk](mailto:spares@tracmaster.co.uk)

# Zanon Mulching Mower Attachment (70cm)



# Zanon Mulching Mower Attachment (70cm)

Pos.	Part No.	Qty
1	3230199	1
2	5330014	4
3	5300535	4
4	5314002	1
5	5314001	1
6	8200004	1
7	5120014	1
8	5342001	1
9	5335001	1
10	5342002	1
11	3230044	1
12	5331001	4
13	5300552	4
14	5313001	1
15	3230015	1
16	5225028	1
17	5130001	1
18	5300551	10
19	5332040	1
20	5330001	4
21	5300553	4
22	5305002	4
23	5380001	1
24	5332021	1
25	5360001	2
26	5106001	1
27	5120013	1
28	5334001	2
29	5400047	2
30	5330021	2
31	5225200	1
32	5400025	1
33	5300524	6
34	5330020	6
35	5323003	6

Pos.	Part No.	Qty
36	5300553	1
37	5300554	2
38	3230320	1
39	8200005	1
40	5321032	2
41	5330004	2
42	5315003	2
43	5225469	1
44	3230148	1
45	5323004	4
46	5226200	2
47	5226199	2
48	5300540	4
49	5330002	4
50	5330018	1
51	5318002	1
52	5401007	1
53	5215044	1
54	5400048	2
55	( * * )	1
56	( * * )	1
57	3230150	1
58	5360004	2
59	5332025	1
60	5380002	1
61	5225479	1
62	5350052	2
63	5324006	2
64	5215091	2
65	5225398	1

( \* \* ) SPECIFY POWER UNIT