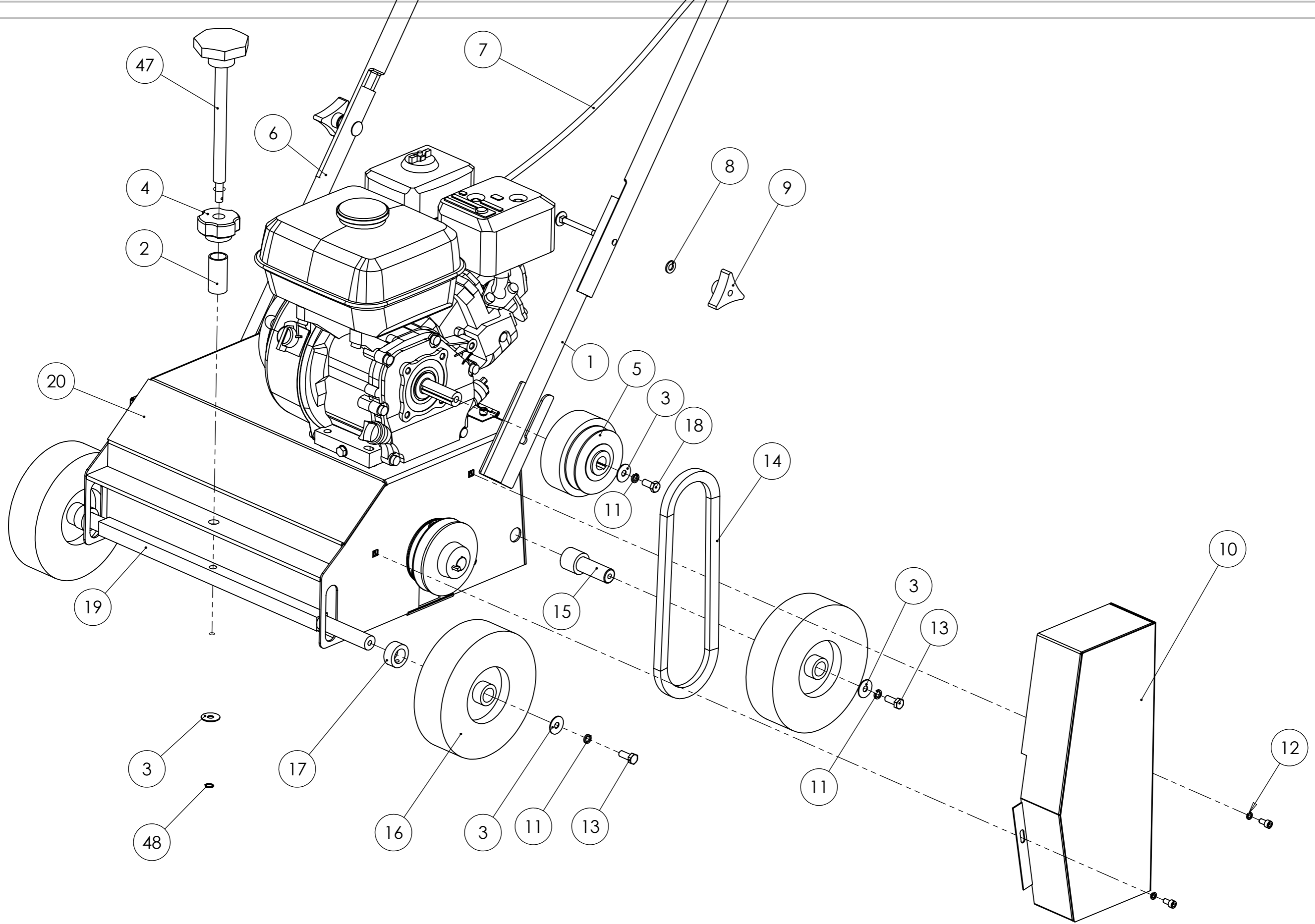


Tracmaster Ltd
Tel: +44 (0) 144 247689
www.camon.co.uk

Parts Diagram
CAMON LS14 Scarifier

VALID FROM	31/01/2015
SERIAL NUMBER	A09 -14000
REVISION	A



Tracmaster Ltd
 Tel: +44 (0) 144 247689
 www.camon.co.uk

Parts Diagram
CAMON LS14 Scarifier

VALID FROM	31/01/2015
SERIAL NUMBER	A09 -14000
REVISION	A

ITEM NO.	PART NUMBER	DESCRIPTION	Main Assy/QTY.
1	60501L	Left Hand Handlebar Bracket	1
2	60504	Spacer	1
3	60065	Penny washer	7
4	60023	Locking knob	1
5	60064	Centrifugal Clutch	1
6	60501R	Right Handlebar Bracket	1
7	60515	Cable	1
8	31411084	Washer	10
9	22399900	Knob	2
10	60035	Belt Guard	1
11	60075	Split washer	7
12	60079	Split washer	6
13	31112150	Bolt	8
14	90903	Belt	1
15	60508	Rear Axle	2
16	60503	Wheel	4
17	60505	Clamp	2
18	31100003	Hex Bolt	1
19	60502	Front Axle	1
20	60500	Chassis	1
45	31112082	Bolt	4
46	12819201	Coach Bolt	2
47	60522A	Height Adjuster	1
48	12034	Circlip	1

Tracmaster Ltd

Tel: +44 (0) 144 247689

www.camon.co.uk

Parts Diagram

CAMON LS14 Scarifier

VALID FROM

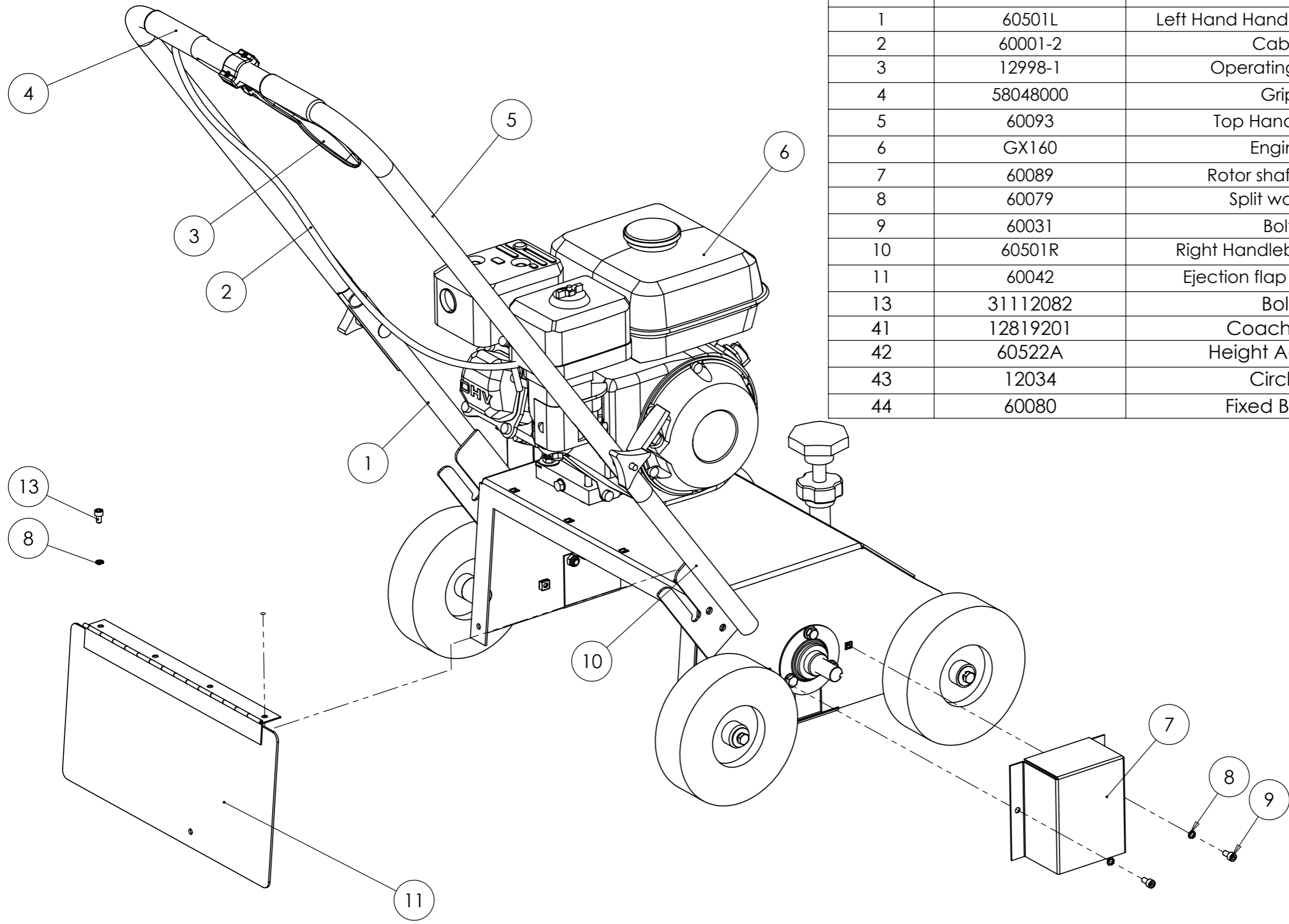
31/01/2015

SERIAL NUMBER

A09 -14000

REVISION

A



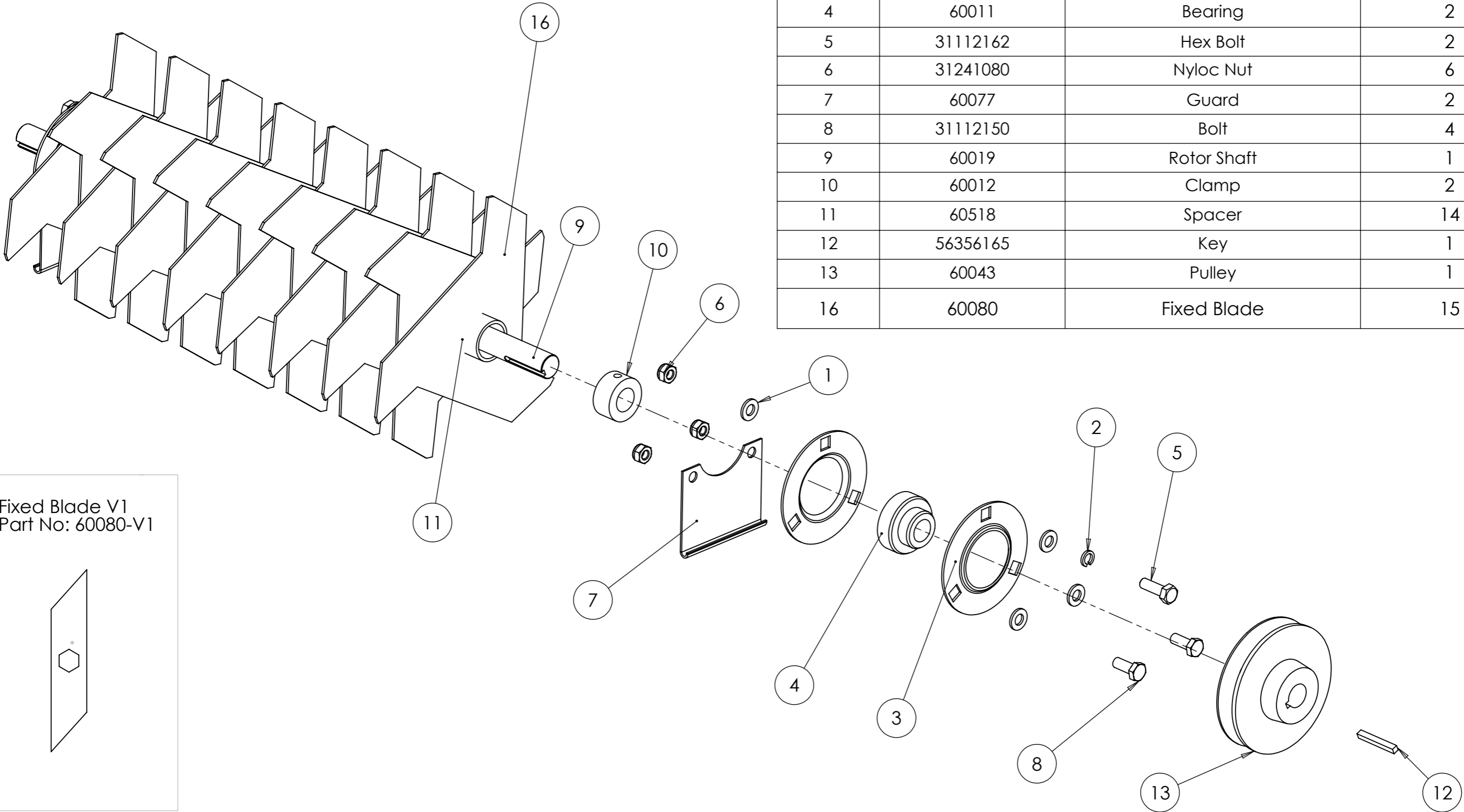
ITEM NO.	PartNo	DESCRIPTION	Rear Assy/QTY.
1	60501L	Left Hand Handlebar Bracket	1
2	60001-2	Cable	1
3	12998-1	Operating Lever	1
4	58048000	Grip	2
5	60093	Top Handle bar	1
6	GX160	Engine	1
7	60089	Rotor shaft cover	1
8	60079	Split washer	6
9	60031	Bolt	2
10	60501R	Right Handlebar Bracket	1
11	60042	Ejection flap complete	1
13	31112082	Bolt	3
41	12819201	Coach Bolt	2
42	60522A	Height Adjuster	1
43	12034	Circlip	1
44	60080	Fixed Blade	2

Tracmaster Ltd
 Tel: +44 (0) 144 247689
 www.camon.co.uk

Parts Diagram
CAMON LS14 Scarifier

VALID FROM	31/01/2015
SERIAL NUMBER	A09 -14000
REVISION	A

ITEM NO.	PartNo	DESCRIPTION	QTY.
1	31411105	Washer	8
2	60075	Split washer	2
3	60062	Bearing carrier	4
4	60011	Bearing	2
5	31112162	Hex Bolt	2
6	31241080	Nyloc Nut	6
7	60077	Guard	2
8	31112150	Bolt	4
9	60019	Rotor Shaft	1
10	60012	Clamp	2
11	60518	Spacer	14
12	56356165	Key	1
13	60043	Pulley	1
16	60080	Fixed Blade	15

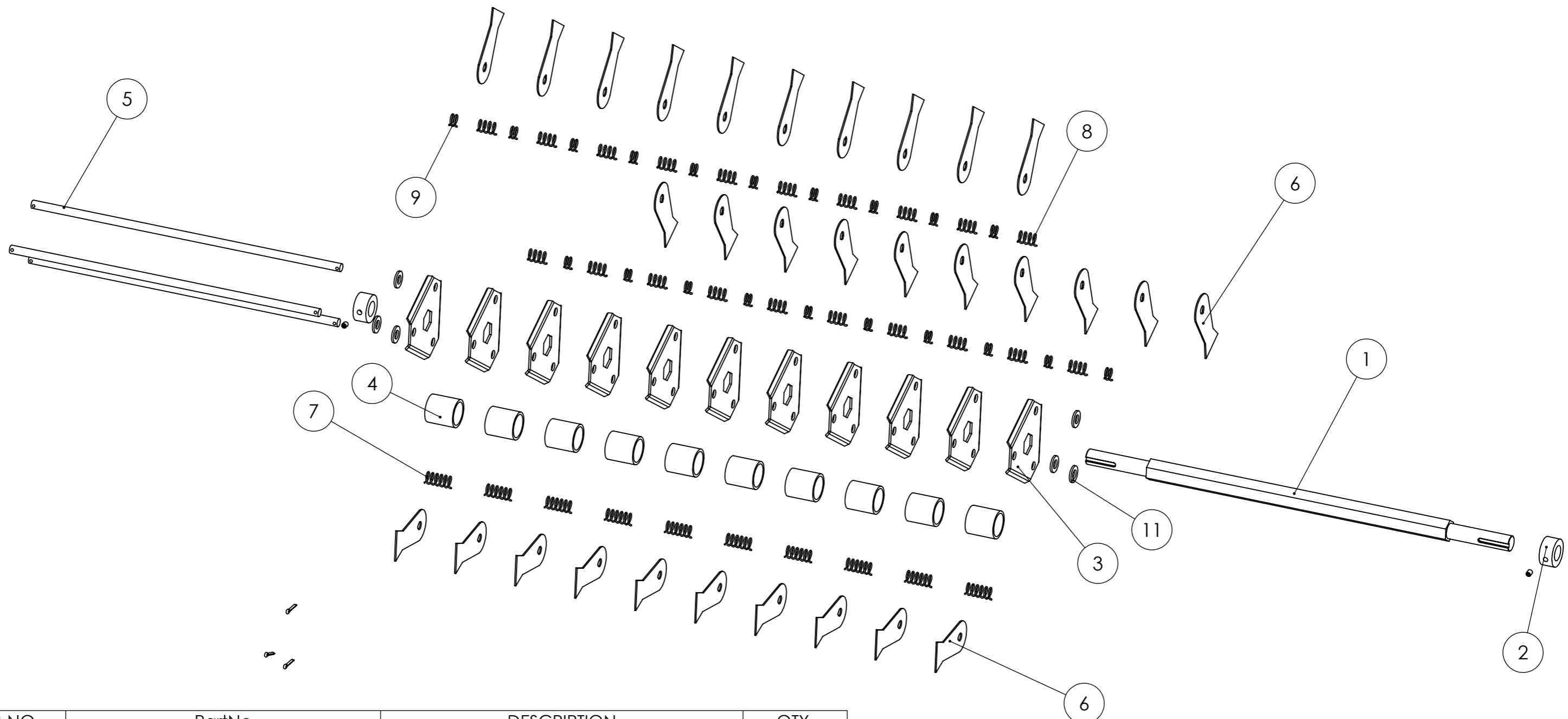


Fixed Blade V1
Part No: 60080-V1

Tracmaster Ltd
Tel: +44 (0) 144 247689
www.camon.co.uk

Parts Diagram
CAMON LS14 Scarifier

VALID FROM	31/01/2015
SERIAL NUMBER	A09 -14000
REVISION	A



ITEM NO.	PartNo	DESCRIPTION	QTY.
1	60019	Rotor Shaft	1
2	60012	Clamp	2
3	60014	Rod Holder	11
4	60013	Spacer	10
5	60017	Rod	3
6	60073	Pear GT Blade	30
7	60015a	50mm Spring	10
8	60015b	30mm spring	20
9	60015c	20mm spring	20
10	40016	Split pin	6
11	31411105	Washer	6

CAMON
 Tel: +44 (0) 144 247689
 www.tracmaster.co.uk

Free Swinging Blade Assembly
CAMON LS14 Scarifier

VALID FROM	31/1/2015
SERIAL NUMBER	AO9-1400
REVISION	A