



**Tracmaster Ltd**  
Tel: +44 (0) 1444 247689

**Order Parts Online:**  
[www.tracmaster.co.uk](http://www.tracmaster.co.uk)

Parts Diagram

LS14B1 Lawn Scarifier

Front Page

VALID FROM

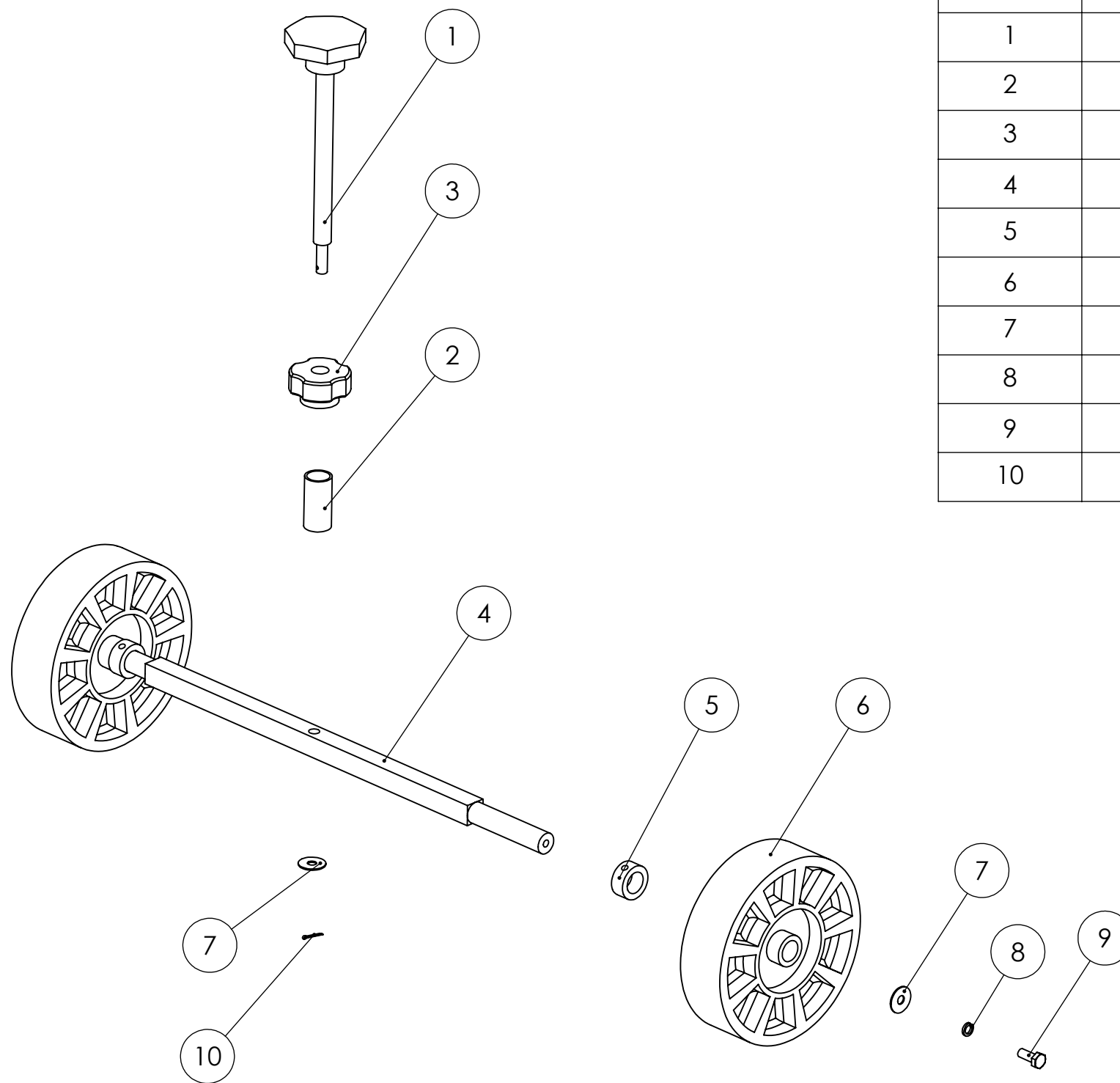
February 2022

SERIAL NUMBER

B09-14400

REVISION

February 2022



ITEM NO.	PartNo	DESCRIPTION	QTY.
1	60522A	Height Adjuster	1
2	60504	Spacer	1
3	60023	Locking knob	1
4	60502	Front Axle	1
5	60505	Clamp	2
6	60703	Wheel	2
7	60065	Penny washer	3
8	60075	Split washer	2
9	31112150	Bolt	2
10	40016	Split Pin	1

**Tracmaster Ltd**  
 Tel: +44 (0) 1444 247689  
**Order Parts Online:**  
[www.tracmaster.co.uk](http://www.tracmaster.co.uk)

Parts Diagram

LS14B1 Lawn Scarifier

Front Axle Assembly

VALID FROM

February 2022

SERIAL NUMBER

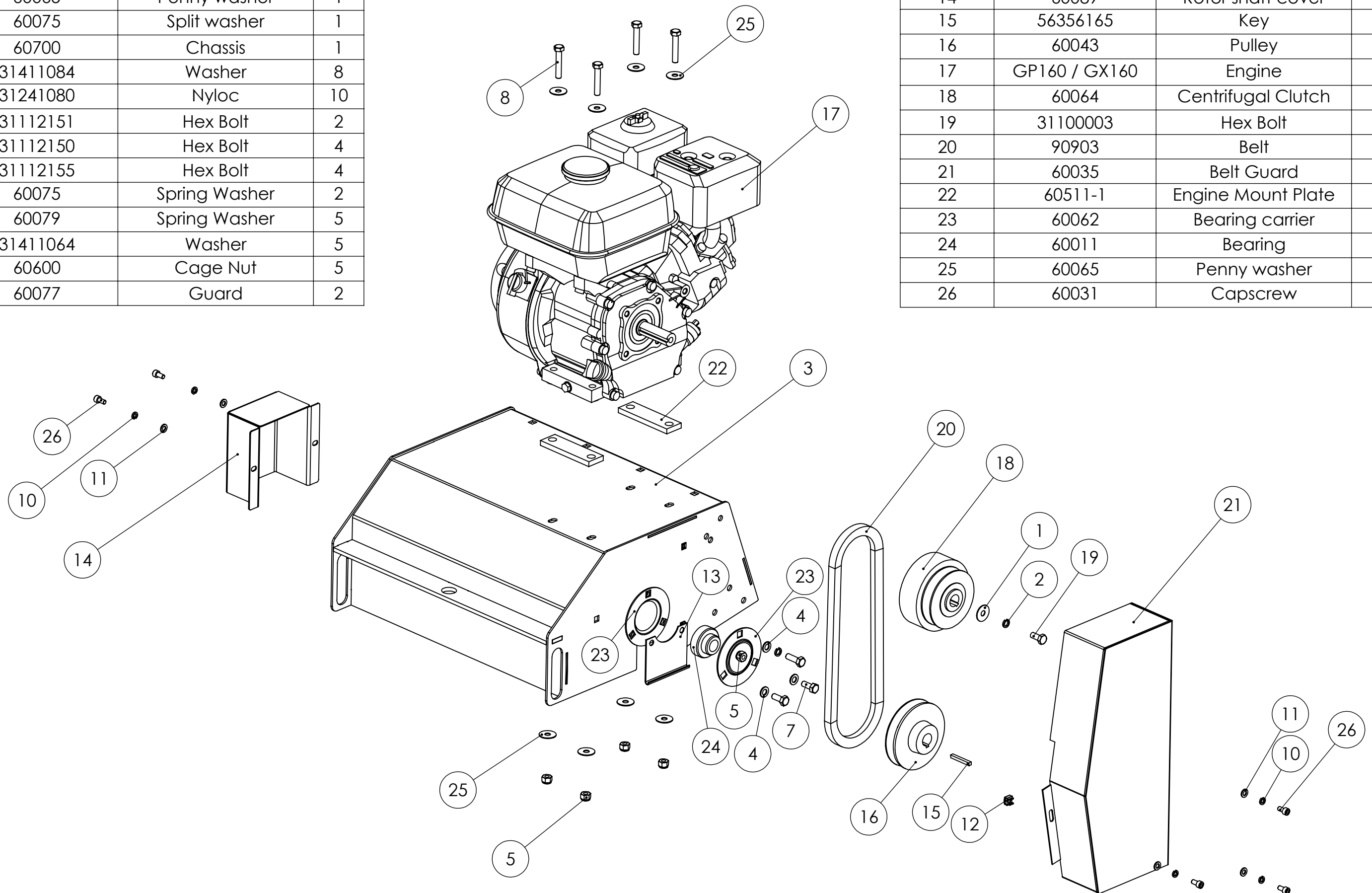
B09-14400

REVISION

February 2022

ITEM NO.	PartNo	DESCRIPTION	QTY.
1	60065	Penny washer	1
2	60075	Split washer	1
3	60700	Chassis	1
4	31411084	Washer	8
5	31241080	Nyloc	10
6	31112151	Hex Bolt	2
7	31112150	Hex Bolt	4
8	31112155	Hex Bolt	4
9	60075	Spring Washer	2
10	60079	Spring Washer	5
11	31411064	Washer	5
12	60600	Cage Nut	5
13	60077	Guard	2

ITEM NO.	PartNo	DESCRIPTION	QTY.
14	60089	Rotor shaft cover	1
15	56356165	Key	1
16	60043	Pulley	1
17	GP160 / GX160	Engine	1
18	60064	Centrifugal Clutch	1
19	31100003	Hex Bolt	1
20	90903	Belt	1
21	60035	Belt Guard	1
22	60511-1	Engine Mount Plate	2
23	60062	Bearing carrier	4
24	60011	Bearing	2
25	60065	Penny washer	8
26	60031	Capscrew	5



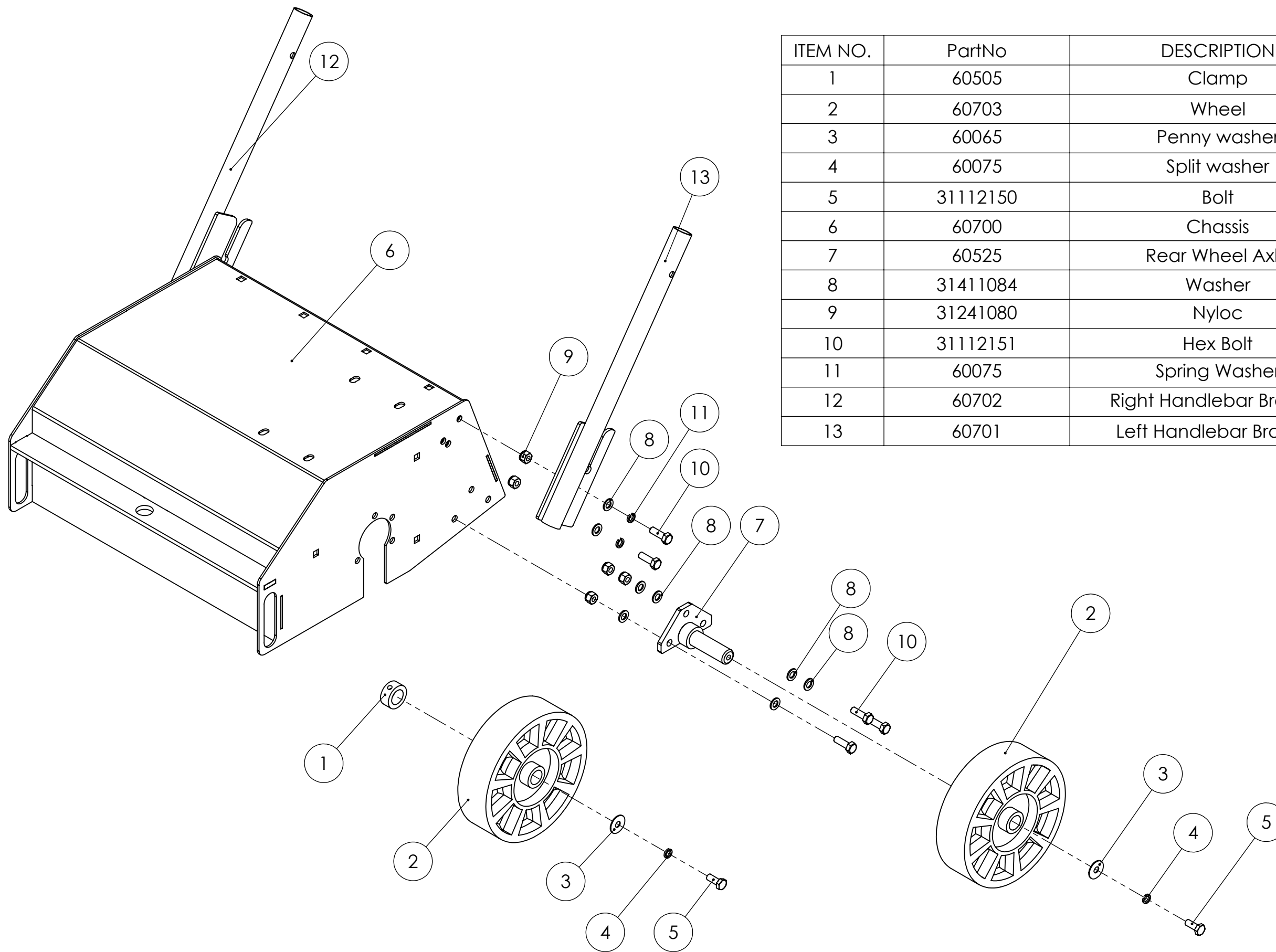
**Tracmaster Ltd**  
 Tel: +44 (0) 1444 247689  
**Order Parts Online:**  
[www.tracmaster.co.uk](http://www.tracmaster.co.uk)

Parts Diagram

LS14B1 Lawn Scarifier

Engine & Chassis

VALID FROM	February 2022
SERIAL NUMBER	B09-14400
REVISION	February 2022



ITEM NO.	PartNo	DESCRIPTION	QTY.
1	60505	Clamp	1
2	60703	Wheel	3
3	60065	Penny washer	3
4	60075	Split washer	2
5	31112150	Bolt	3
6	60700	Chassis	1
7	60525	Rear Wheel Axle	2
8	31411084	Washer	20
9	31241080	Nyloc	10
10	31112151	Hex Bolt	10
11	60075	Spring Washer	5
12	60702	Right Handlebar Bracket	1
13	60701	Left Handlebar Bracket	1

**Tracmaster Ltd**  
 Tel: +44 (0) 1444 247689  
**Order Parts Online:**  
[www.tracmaster.co.uk](http://www.tracmaster.co.uk)

Parts Diagram

LS14B1 Lawn Scarifier

Axles & Handlebar Brackets

VALID FROM

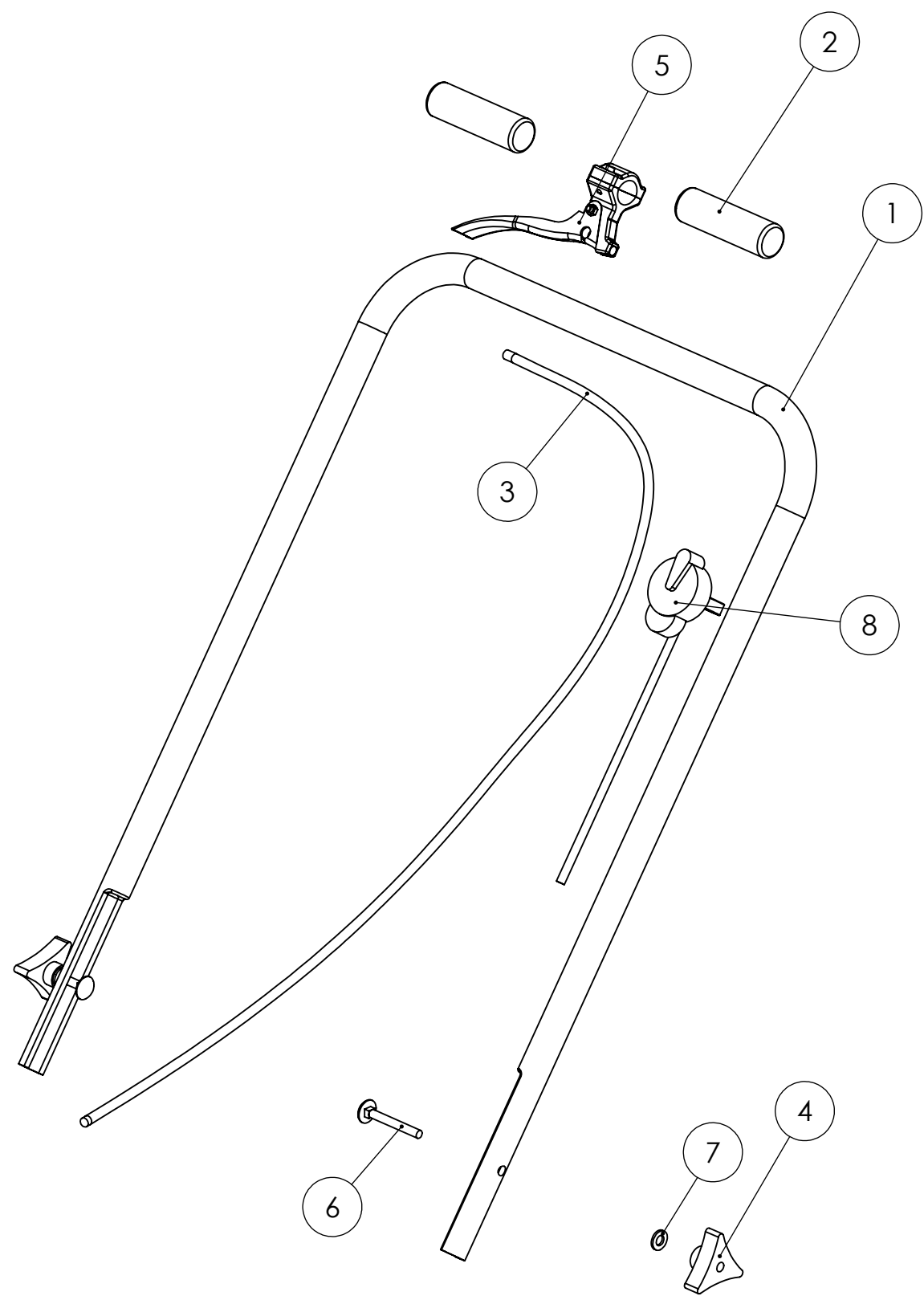
February 2022

SERIAL NUMBER

B09-14400

REVISION

February 2022



ITEM NO.	PartNo	DESCRIPTION	QTY.
1	60093	Top Handle bar	1
2	58048000	Grip	2
3	60001-2	Cable	1
4	22399900	Knob	2
5	13001	Control Lever	1
6	12819201	Coach Bolt	2
7	31411105	Washer	2
8	12999	On Off Switch	1

**Tracmaster Ltd**  
Tel: +44 (0) 1444 247689

**Order Parts Online:**  
[www.tracmaster.co.uk](http://www.tracmaster.co.uk)

Parts Diagram

**LS14B1 Lawn Scarifier**

Top Handlebar

VALID FROM

February 2022

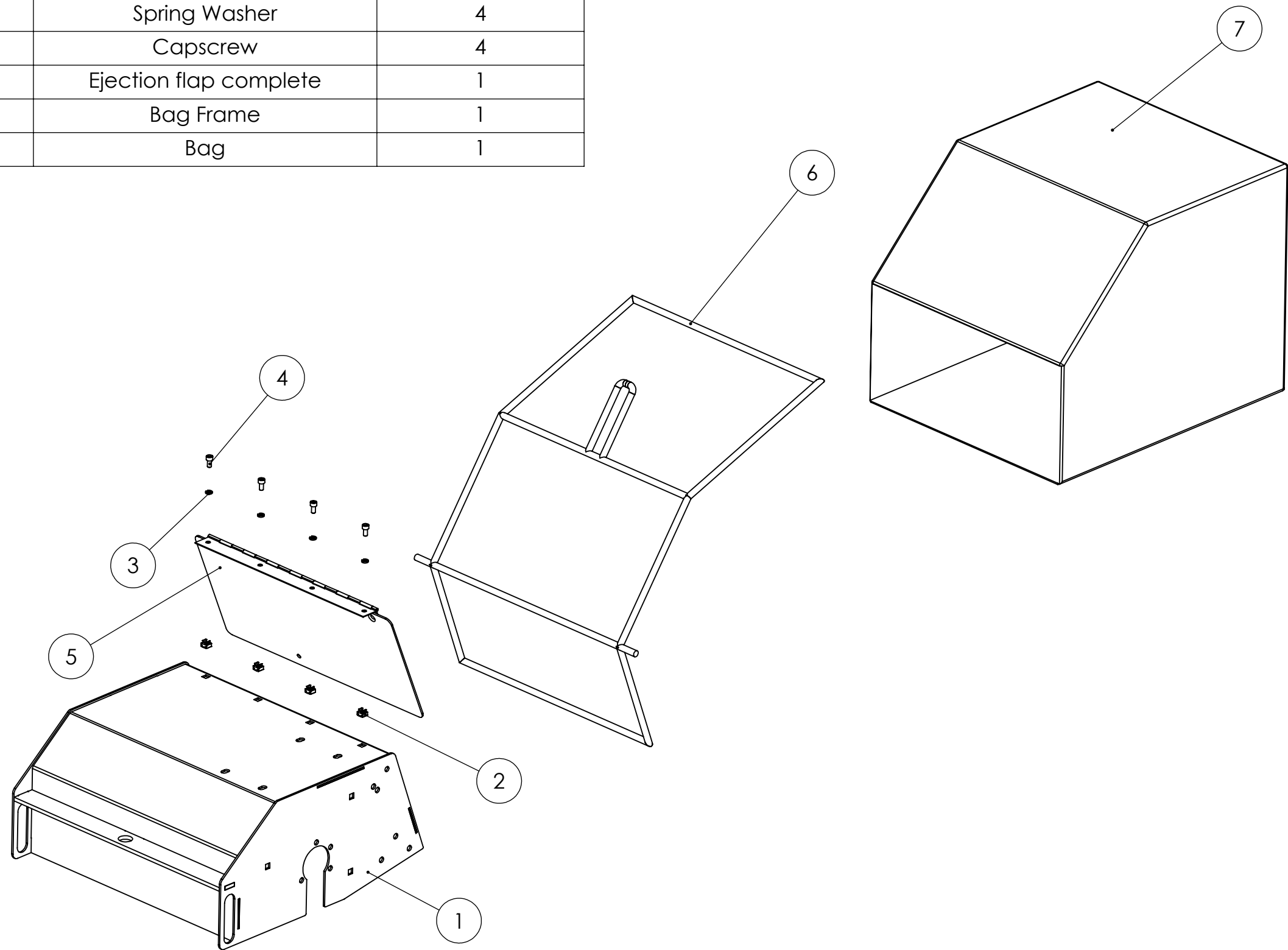
SERIAL NUMBER

B09-14400

REVISION

February 2022

ITEM NO.	PartNo	DESCRIPTION	QTY.
1	60700	Chassis	1
2	60600	Cage Nut	4
3	60079	Spring Washer	4
4	60031	Capscrew	4
5	60042	Ejection flap complete	1
6	60704	Bag Frame	1
7	60513a	Bag	1



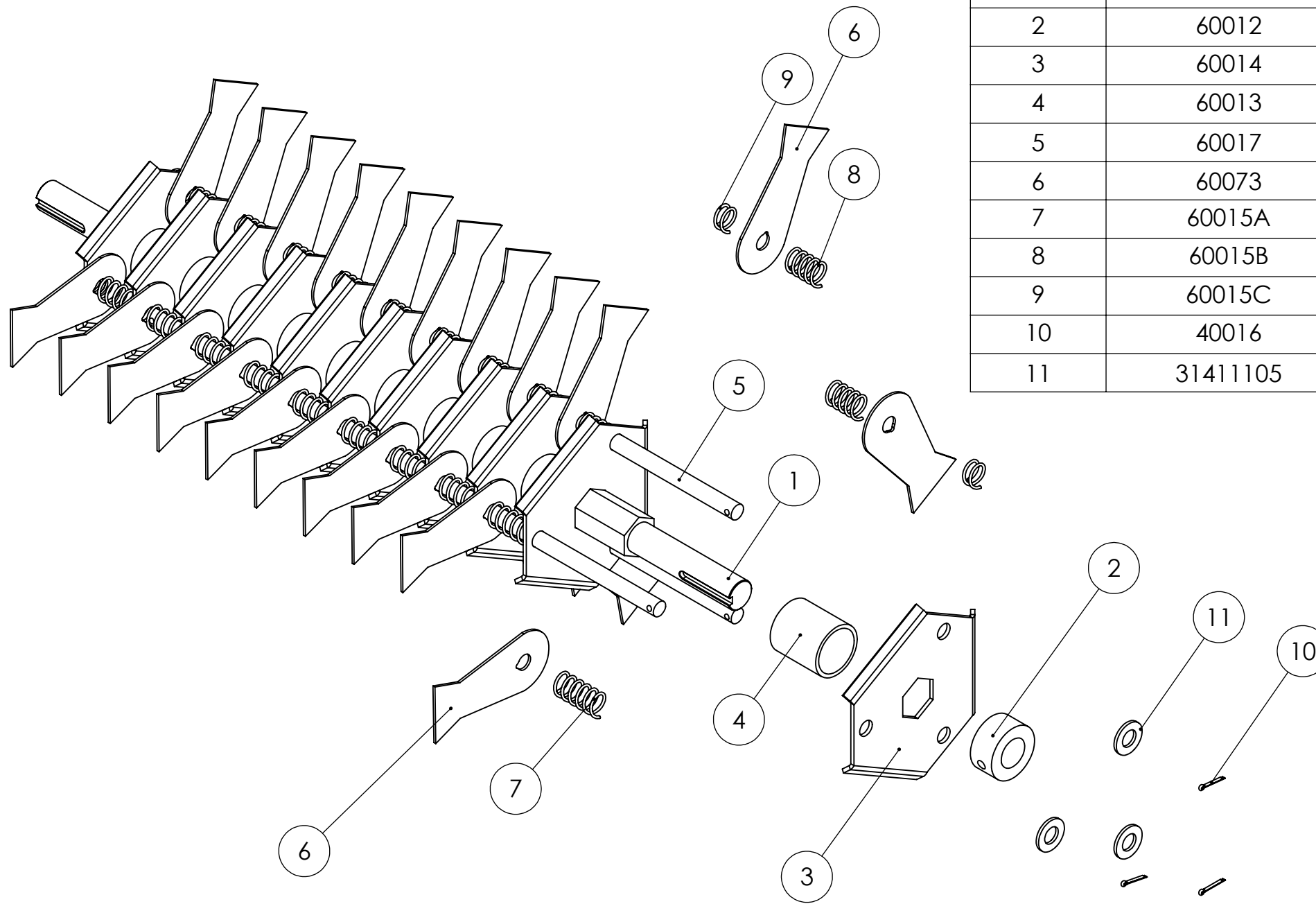
**Tracmaster Ltd**  
 Tel: +44 (0) 1444 247689  
**Order Parts Online:**  
[www.tracmaster.co.uk](http://www.tracmaster.co.uk)

Parts Diagram

LS14B1 Lawn Scarifier

Back Flap and Bag

VALID FROM	February 2022
SERIAL NUMBER	B09-14400
REVISION	February 2022



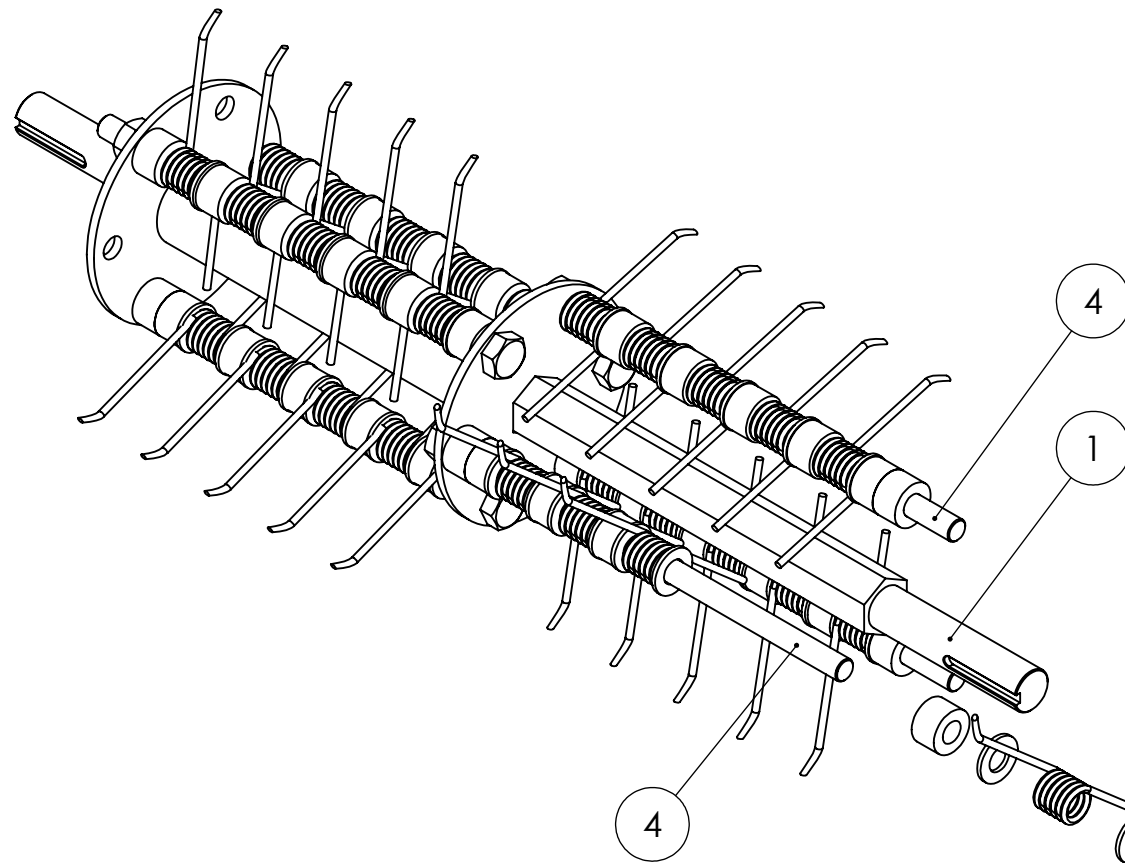
ITEM NO.	PartNo	DESCRIPTION	QTY.
1	60019	Rotor Shaft	1
2	60012	Rotor Clamp	2
3	60014	Spider	11
4	60013	Spacer	10
5	60017	Rod	3
6	60073	Blade	30
7	60015A	Spring	10
8	60015B	Spring	20
9	60015C	Spring	20
10	40016	Split Pin	6
11	31411105	Plain Washer	6

**Tracmaster Ltd**  
 Tel: +44 (0) 1444 247689  
**Order Parts Online:**  
[www.tracmaster.co.uk](http://www.tracmaster.co.uk)

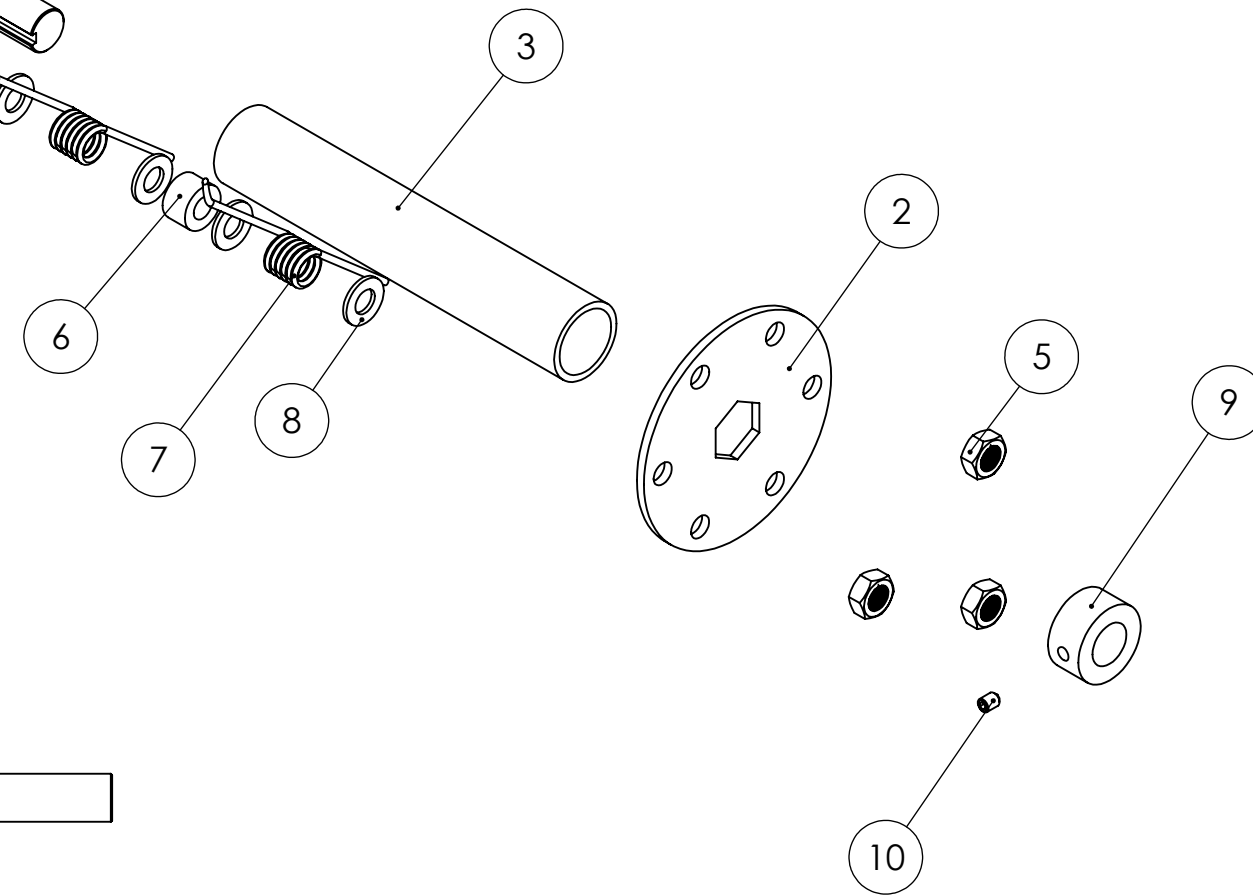
Parts Diagram  
**LS14B1 Lawn Scarifier**

Free Swinging Rotor

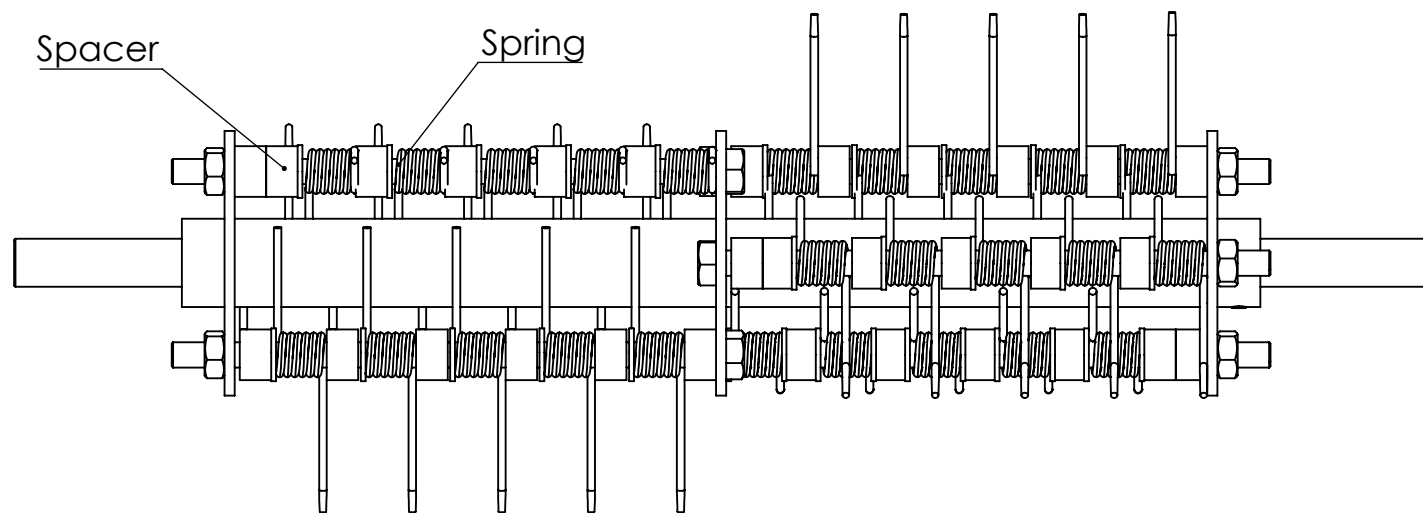
VALID FROM	February 2022
SERIAL NUMBER	B09-14400
REVISION	February 2022



ITEM NO.	PartNo	DESCRIPTION	QTY.
1	60019	Rotor Shaft	1
2	60170	Spring Rotor Spider	3
3	60138	Spacer	2
4	60171	Bolt	6
5	31241105	Metal Lock	6
6	60174	Spacer	36
7	60173	Spring Tine	30
8	31411105	Plain Washer	40
9	60012	Clamp	2
10	60012g	Grub Screw	2



Spring / Spacer Layout



**Tracmaster Ltd**  
 Tel: +44 (0) 1444 247689  
**Order Parts Online:**  
[www.tracmaster.co.uk](http://www.tracmaster.co.uk)

Parts Diagram

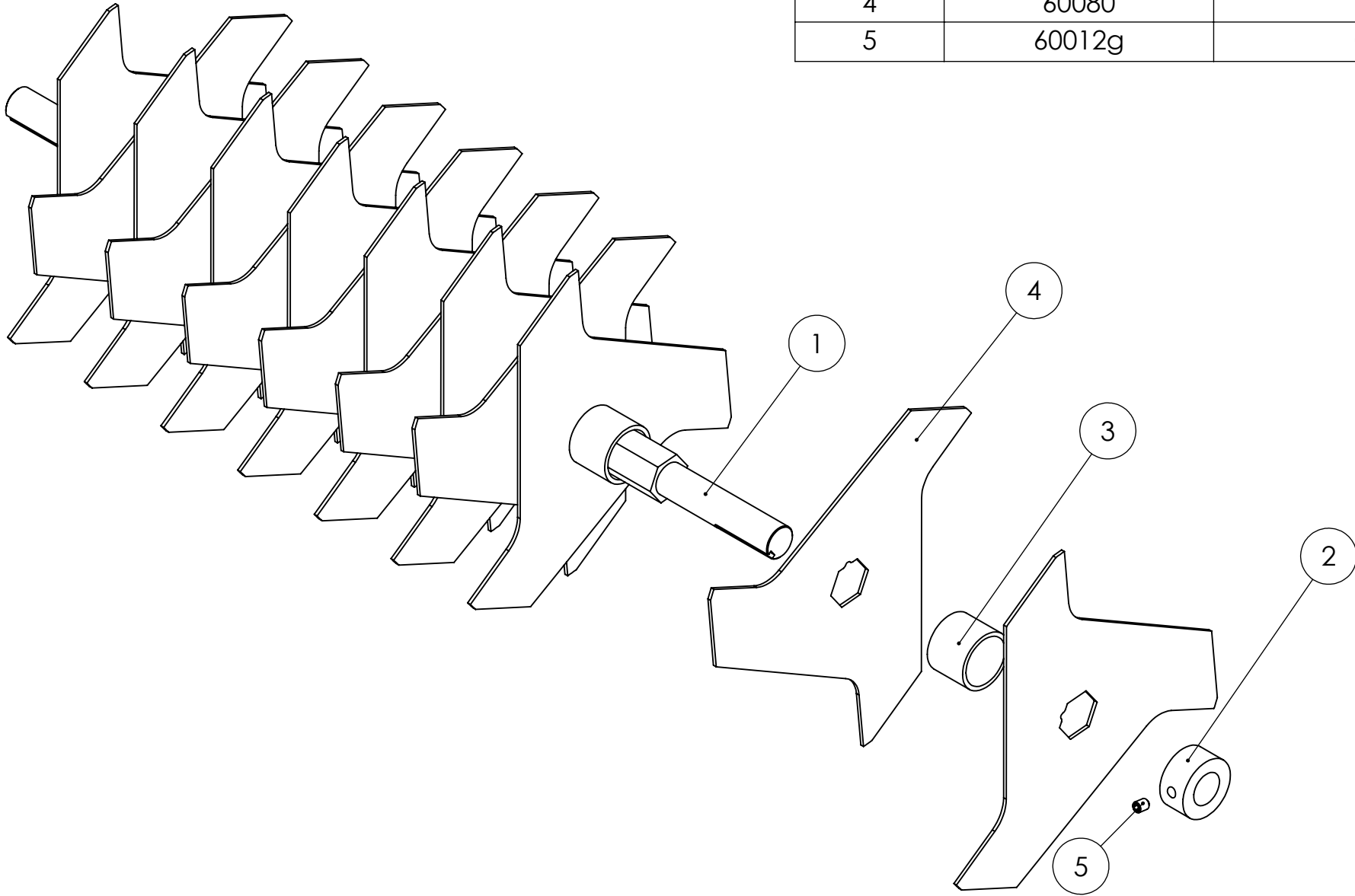
LS14B1 Lawn Scarifier

Spring Rotor

VALID FROM	February 2022
SERIAL NUMBER	B09-14400
REVISION	February 2022



ITEM NO.	PartNo	DESCRIPTION	QTY.
1	60019	Rotor Shaft	1
2	60012	Clamp	2
3	60518	Spacer	14
4	60080	Fixed Blade	15
5	60012g	Grub Screw	2



**Tracmaster Ltd**  
 Tel: +44 (0) 1444 247689  
**Order Parts Online:**  
[www.tracmaster.co.uk](http://www.tracmaster.co.uk)

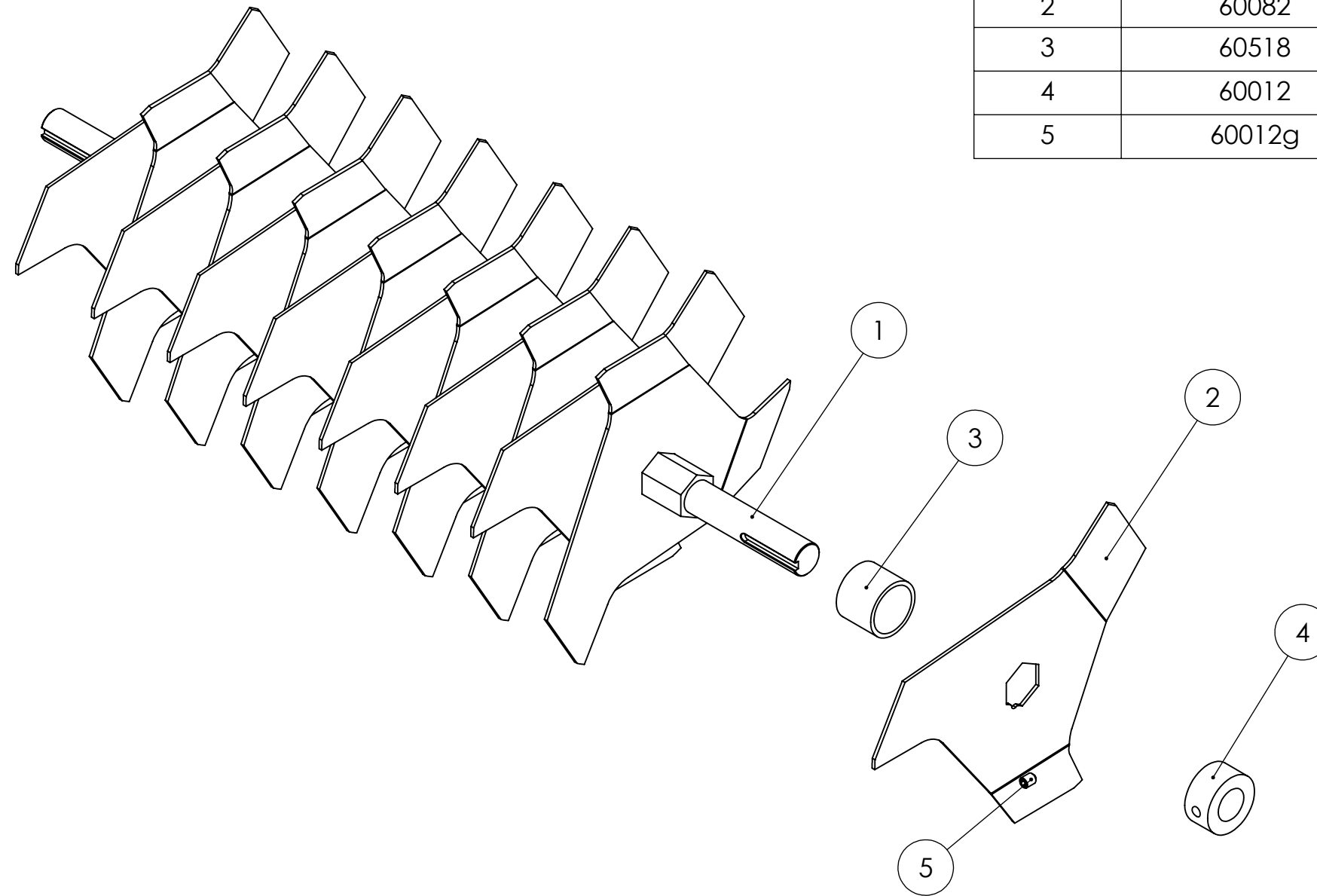
Parts Diagram

LS14B1 Lawn Scarifier

Fixed Rotor

VALID FROM	February 2022
SERIAL NUMBER	B09-14400
REVISION	February 2022

ITEM NO.	PartNo	DESCRIPTION	QTY.
1	60019	Rotor Shaft	1
2	60082	Renovation Blade	15
3	60518	Spacer	14
4	60012	Rotor Clamp	2
5	60012g	Grub Screw	2



**Tracmaster Ltd**  
Tel: +44 (0) 1444 247689

**Order Parts Online:**  
[www.tracmaster.co.uk](http://www.tracmaster.co.uk)

Parts Diagram

**LS14B1 Lawn Scarifier**

Renovation Rotor

VALID FROM

February 2022

SERIAL NUMBER

B09-14400

REVISION

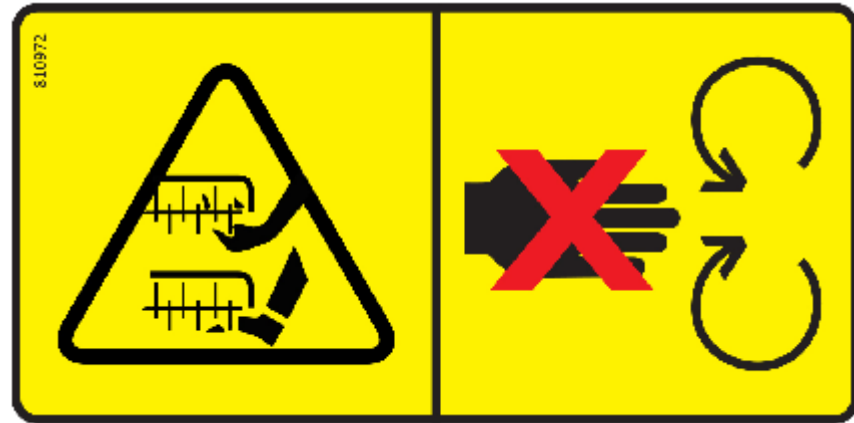
February 2022



810903

810973

LS42SSB1 - Sticker Set



810972 - Beware Rotating Blade



810972A - rotating blade keep away



90998



810939



MIB1



811030

Tracmaster Ltd  
Tel: +44 (0) 1444 247689  
Order Parts Online:  
www.tracmaster.co.uk

Parts Diagram  
LS14B1 Lawn Scarifier

Stickers

VALID FROM	February 2022
SERIAL NUMBER	B09-14400
REVISION	February 2022