

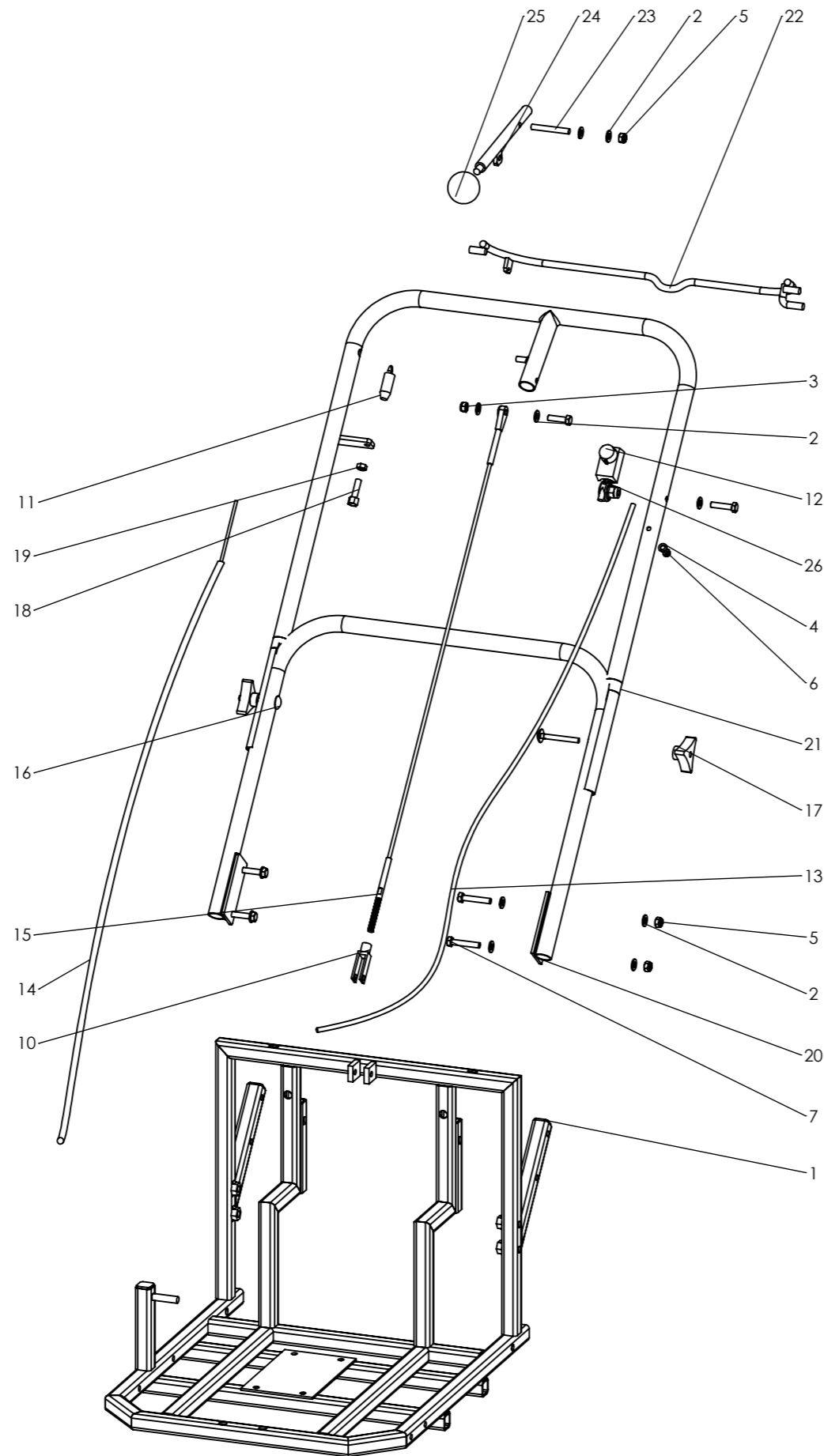
ITEM NO.	PartNo	DESCRIPTION	QTY.
1	45290	LA20 Chassis	1
2	31112263	Bolt	2
3	31112265	Bolt	2
4	31112273	Bolt	2
5	12926	Washer	8
6	31231160	Nyloc	4
7	31241100	Nyloc	2
8	45232	LA20 front stay bar	1
9	45285	Split pin	8
10	45282	Washer	8
11	45281A	Front wheel (with bearing)	4
12	31112157	Hex Bolt	4
13	31112151	Hex Bolt	2
14	31112154	Hex Bolt	2
15	31411105	Washer	8
16	31241100	Nyloc	4
17	45284A	Front Wheel Mount	1
18	45284a	Wheel	1
19	31112213	Bolt	4
20	31411105	Washer	6
21	45286	Rear Wheel bracket	1
22	31241105	Metlock Nut	2
23	45287	Rear wheel bracket	1
24	45224	45224 Adjuster Plate	1
25	(See seperate diagram)	Drive assembly	1
26	45291	Cover	1

DO NOT SCALE DRAWING

TITLE:

Chassis Assembly

UNLESS OTHERWISE SPECIFIED: DIMENSIONS ARE IN MILLIMETERS



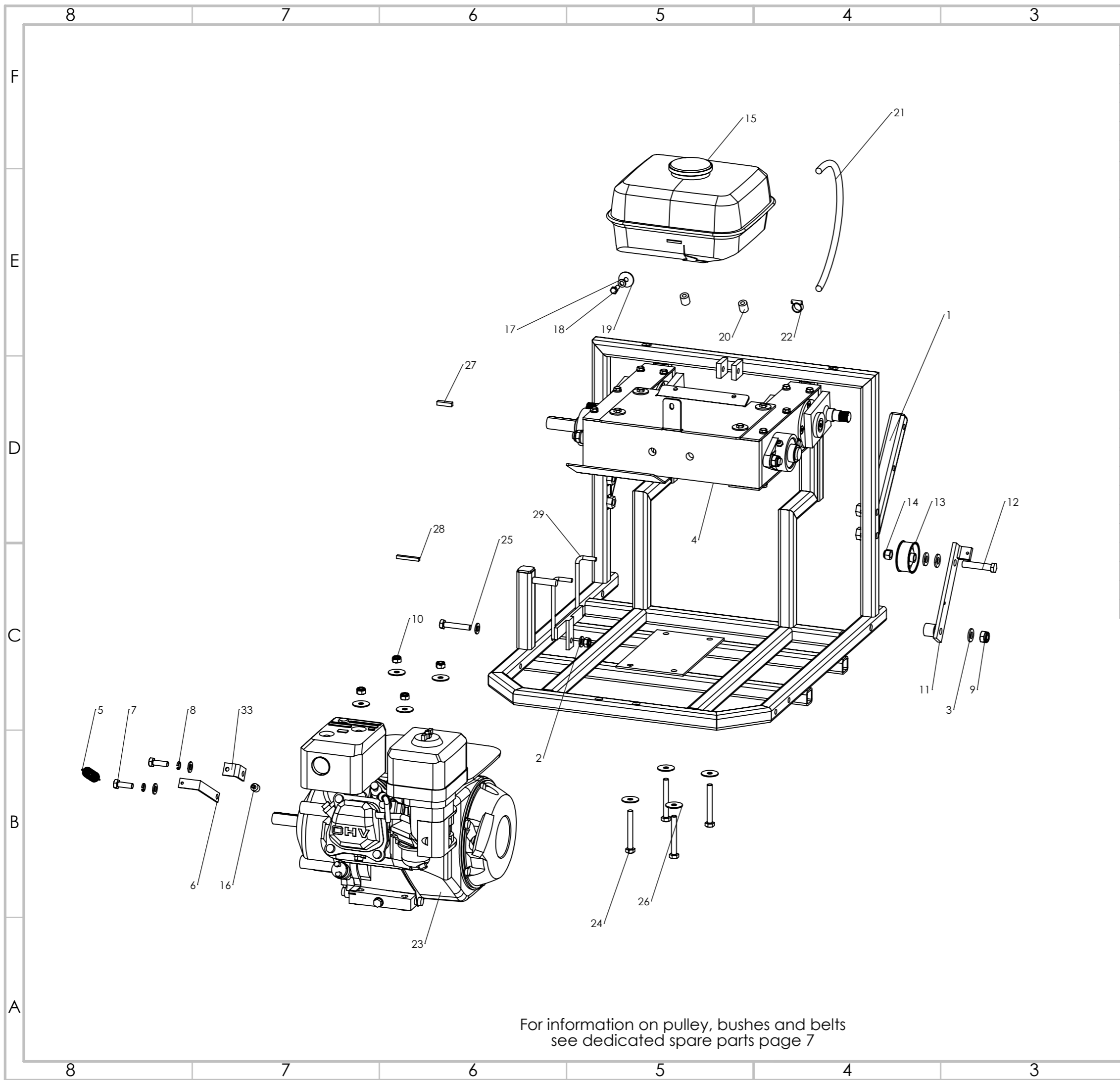
ITEM NO.	PartNo	DESCRIPTION	QTY.
1	45290	LA20 Chassis	1
2	31411105	Washer	14
3	31241100	Nyloc	1
4	31411064	Washer	1
5	31241080	Nyloc	5
6	31241060	Nut	1
7	31112155	Hex Bolt	4
8	31112152	Hex Bolt	1
9	31112153	Hex Bolt	1
10	45238	Clevis	1
11	22450800	Throttle spring	1
12	35120-733-F51	Ignition Switch	1
13	58043242	Cable	1
14	58049670	Cable	1
15	45296	Cable	1
16	12819201	Coach Bolt	2
17	22399900	Knob	2
18	58042202	Adjuster	1
19	31211080	Nut	1
20	45267	Lower Handle bar	1
21	45266	Upper Handle bar	1
22	45277	Operating lever	1
23	31312084	Stud	1
24	45279	Lifting lever	1
25	45280	Knob	1
26	58002538	Throttle Lever	1

DO NOT SCALE DRAWING

TITLE:

Handlebars Assembly

UNLESS OTHERWISE SPECIFIED: DIMENSIONS ARE IN MILLIMETERS



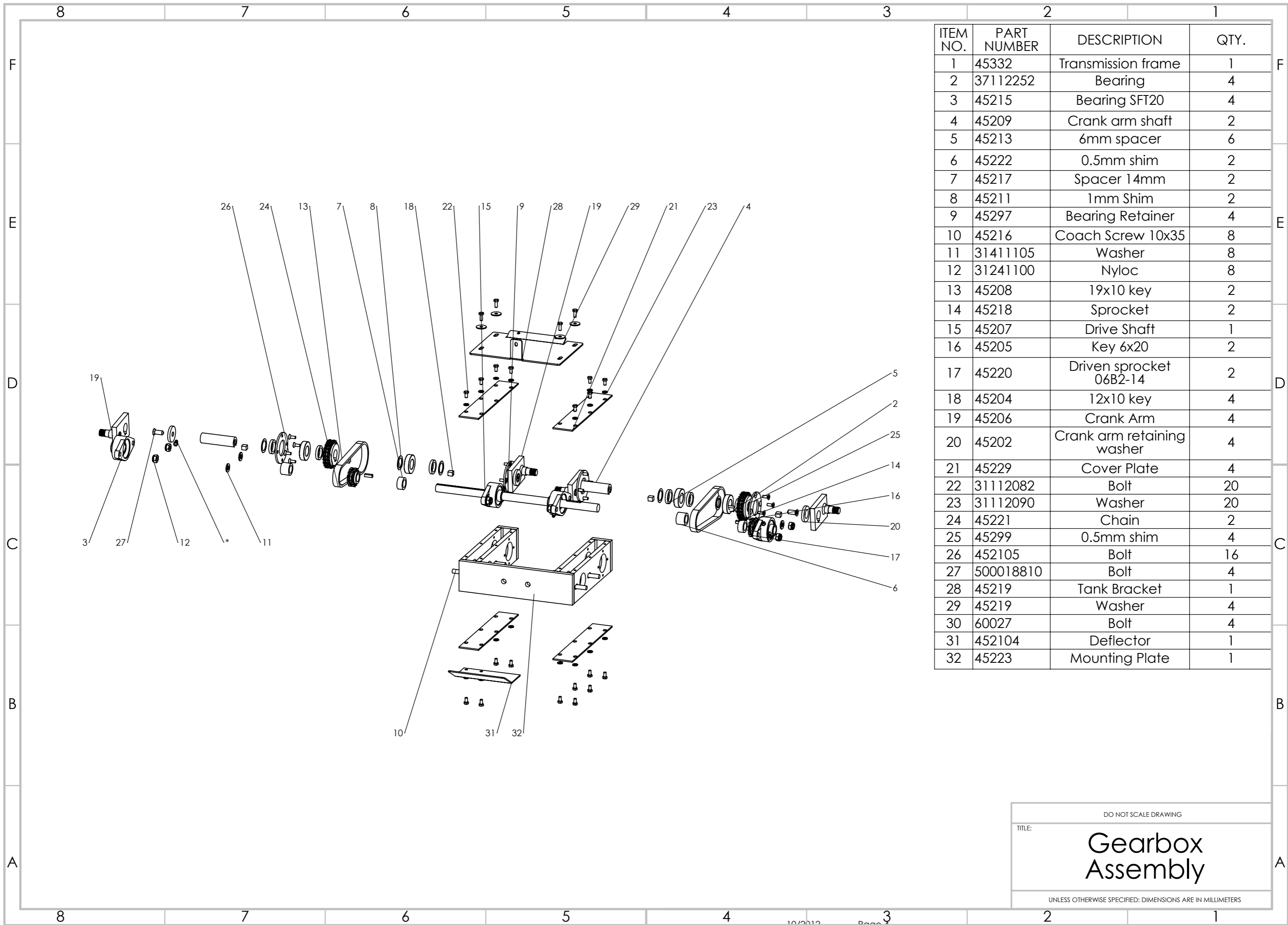
ITEM NO.	PartNo	DESCRIPTION	QTY.
1	45290	LA20 Chassis	1
2	31411105	Washer	4
3	31411105	Washer	3
4	(See seperate diagram)	Drive assembly	1
5	58049786	Tension Spring	1
6	45243	spring anchor bracket	1
7	31112151	Hex Bolt	2
8	60075	Split washer	2
9	31241100	Nyloc	1
10	31241080	Nyloc	5
11	45239	Jockey wheel arm	1
12	40038	Bolt 3/8" UNF x 1 1/2"	1
13	60028	Jockey wheel	1
14	60032	3/8 UNF Nyloc	1
15	17510-ZE1-020ZA	Fuel tank	1
16	58042167	Reducer	1
17	31411064	Washer	1
18	31112090	Bolt	1
19	60027	Washer	1
20	45298	Spacer	2
21	45294	Fuel pipe	1
22	45295	clip	1
23	GX160UTQX4	Engine	1
24	31112158	Hex Bolt	4
25	31112155	Hex Bolt	1
26	90947	Penny Washer	8
27	45210	Key	1
28	56356165	Key	1
29	45255	LA20 Belt guide	1
33	45271	Cable anchor bracket	1

For information on pulley, bushes and belts see dedicated spare parts page 7

DO NOT SCALE DRAWING

TITLE:
Engine & Drivetrain Assembly

UNLESS OTHERWISE SPECIFIED: DIMENSIONS ARE IN MILLIMETERS



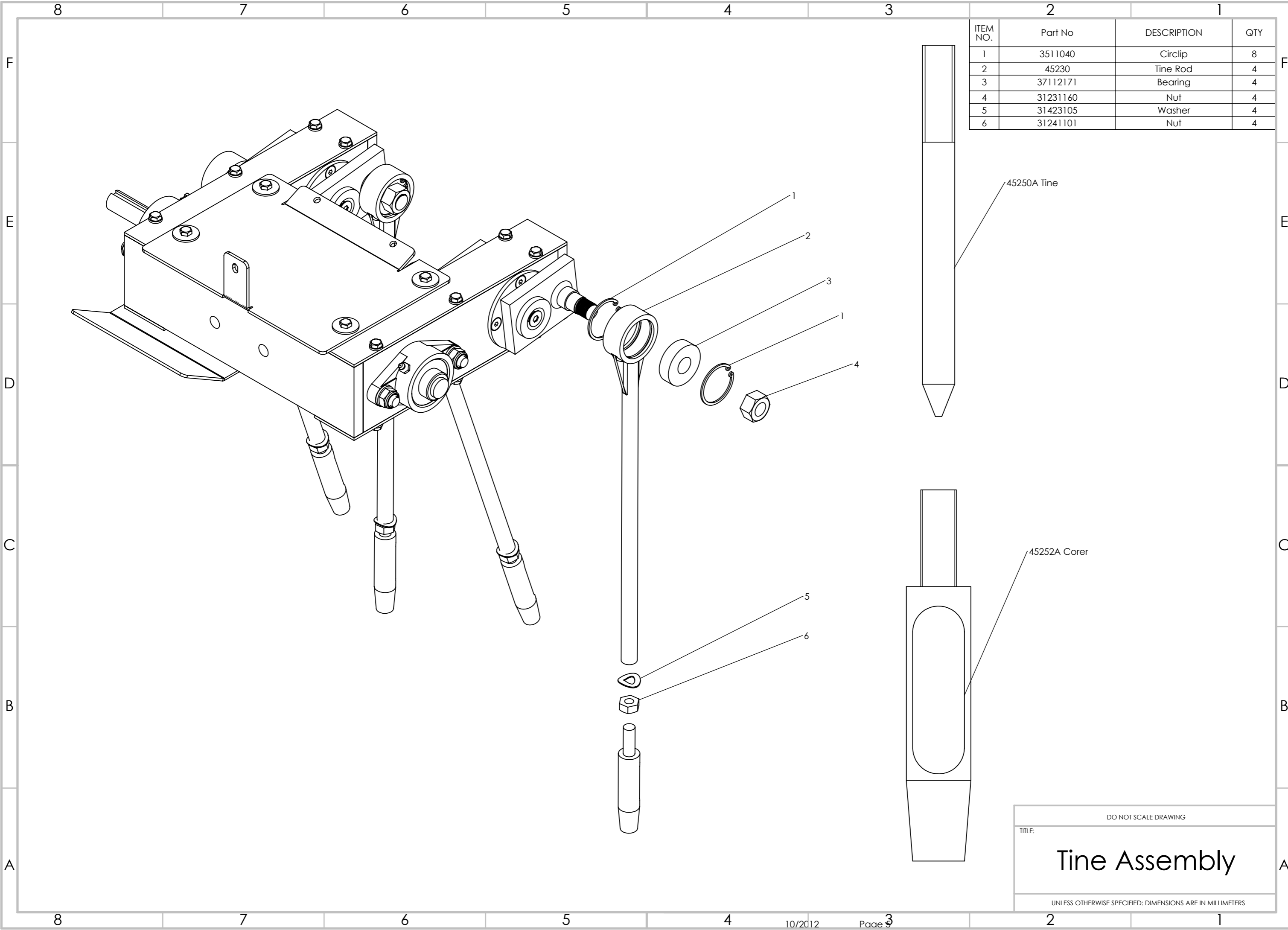
ITEM NO.	PART NUMBER	DESCRIPTION	QTY.
1	45332	Transmission frame	1
2	37112252	Bearing	4
3	45215	Bearing SFT20	4
4	45209	Crank arm shaft	2
5	45213	6mm spacer	6
6	45222	0.5mm shim	2
7	45217	Spacer 14mm	2
8	45211	1mm Shim	2
9	45297	Bearing Retainer	4
10	45216	Coach Screw 10x35	8
11	31411105	Washer	8
12	31241100	Nyloc	8
13	45208	19x10 key	2
14	45218	Sprocket	2
15	45207	Drive Shaft	1
16	45205	Key 6x20	2
17	45220	Driven sprocket 06B2-14	2
18	45204	12x10 key	4
19	45206	Crank Arm	4
20	45202	Crank arm retaining washer	4
21	45229	Cover Plate	4
22	31112082	Bolt	20
23	31112090	Washer	20
24	45221	Chain	2
25	45299	0.5mm shim	4
26	452105	Bolt	16
27	500018810	Bolt	4
28	45219	Tank Bracket	1
29	45219	Washer	4
30	60027	Bolt	4
31	452104	Deflector	1
32	45223	Mounting Plate	1

DO NOT SCALE DRAWING

TITLE:

Gearbox Assembly

UNLESS OTHERWISE SPECIFIED: DIMENSIONS ARE IN MILLIMETERS



ITEM NO.	Part No	DESCRIPTION	QTY
1	3511040	Circlip	8
2	45230	Tine Rod	4
3	37112171	Bearing	4
4	31231160	Nut	4
5	31423105	Washer	4
6	31241101	Nut	4

45250A Tine

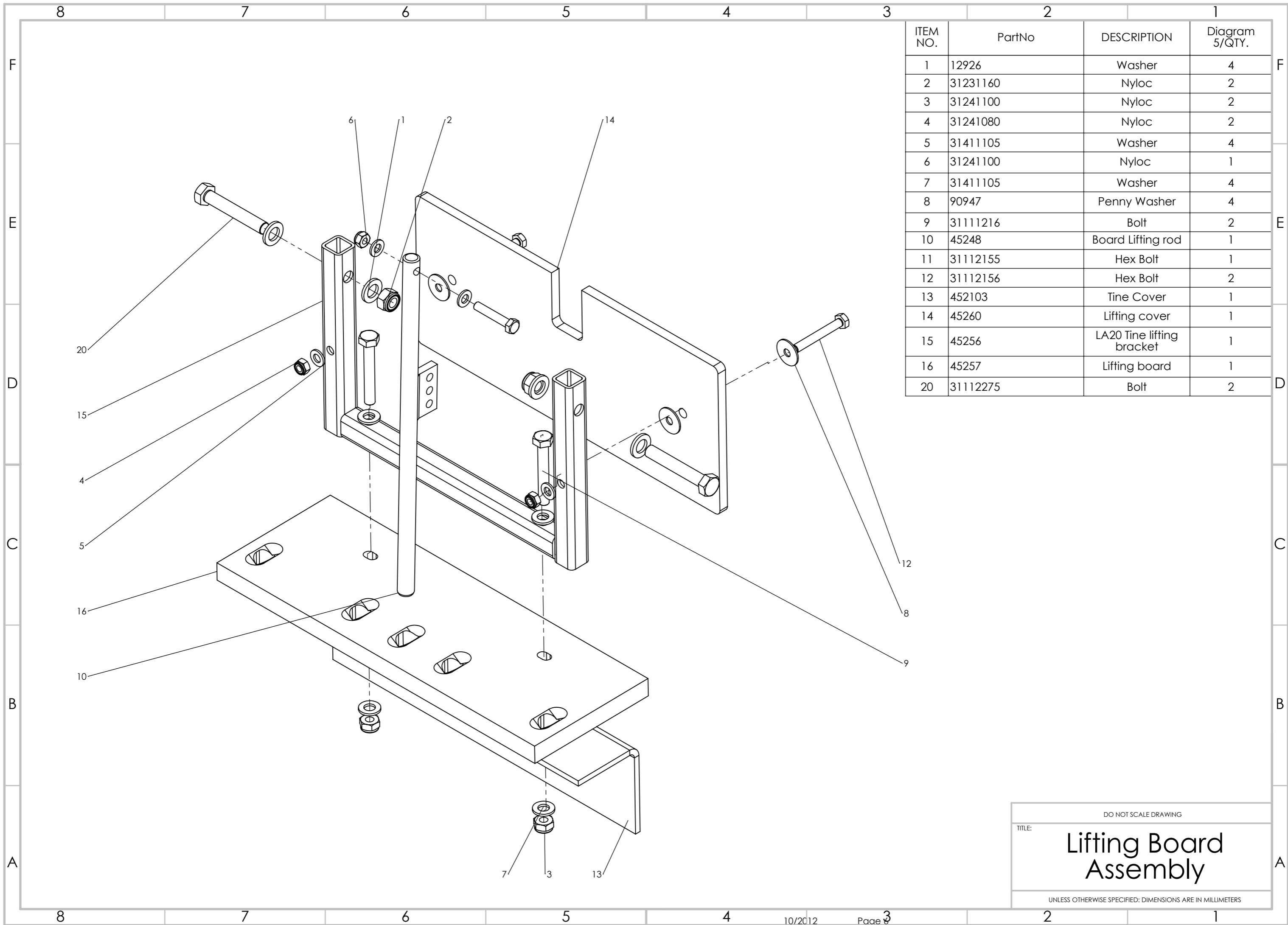
45252A Corer

DO NOT SCALE DRAWING

TITLE:

Tine Assembly

UNLESS OTHERWISE SPECIFIED: DIMENSIONS ARE IN MILLIMETERS



ITEM NO.	PartNo	DESCRIPTION	Diagram 5/QTY.
1	12926	Washer	4
2	31231160	Nyloc	2
3	31241100	Nyloc	2
4	31241080	Nyloc	2
5	31411105	Washer	4
6	31241100	Nyloc	1
7	31411105	Washer	4
8	90947	Penny Washer	4
9	31111216	Bolt	2
10	45248	Board Lifting rod	1
11	31112155	Hex Bolt	1
12	31112156	Hex Bolt	2
13	452103	Tine Cover	1
14	45260	Lifting cover	1
15	45256	LA20 Tine lifting bracket	1
16	45257	Lifting board	1
20	31112275	Bolt	2

DO NOT SCALE DRAWING

TITLE:

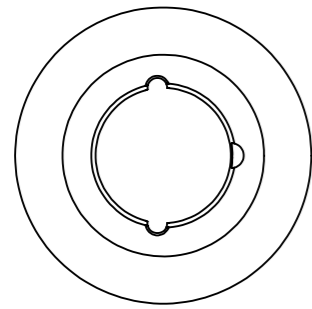
Lifting Board Assembly

UNLESS OTHERWISE SPECIFIED: DIMENSIONS ARE IN MILLIMETERS

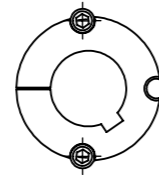
WHAT HAS CHANGED?

ORIGINAL PULLEYS, BUSHES & BELT

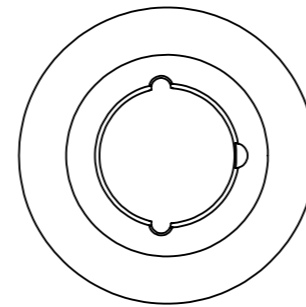
UPGRADED PULLEYS, BUSHES & BELT



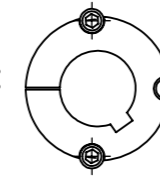
Gearbox Pulley:
Part No: 90901P
Size: SPA 112



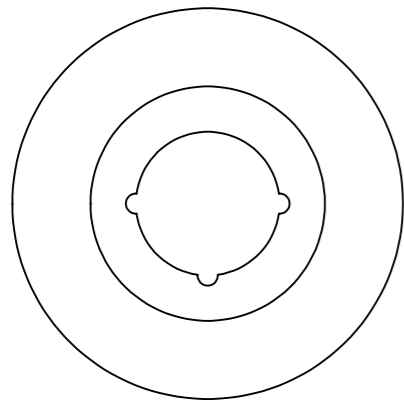
Gearbox Bush:
Part No: 45233B
Size: 1610-20



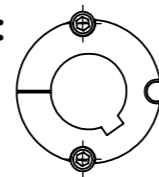
Gearbox Pulley:
Part No: 90901P
Size: SPA 112



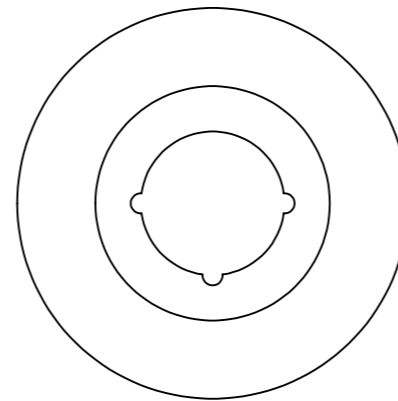
Gearbox Bush:
Part No: 45233B
Size: 1610-20



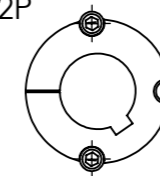
Engine Pulley:
Part No: 45253P
Size: SPA80



Engine Bush:
Part No: 45253B
Size: 1210-3/4"

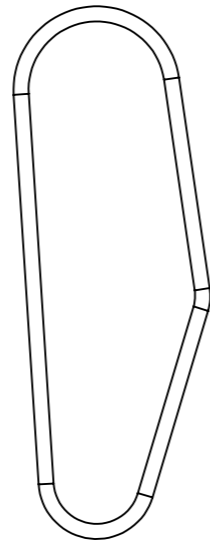


Engine Pulley:
Part No: 202012P
Size: SPA 150



Engine Bush:
Part No: 45269
Size: 1610-3/4"

Belt:
Part Number:
202307
Size: A32



Belt:
Part Number:
45270
Size: A37



The engine pulley diameter has been increased. A new belt is therefore also required.

DO NOT SCALE DRAWING

TITLE:

Pulleys & Belts

UNLESS OTHERWISE SPECIFIED: DIMENSIONS ARE IN MILLIMETERS