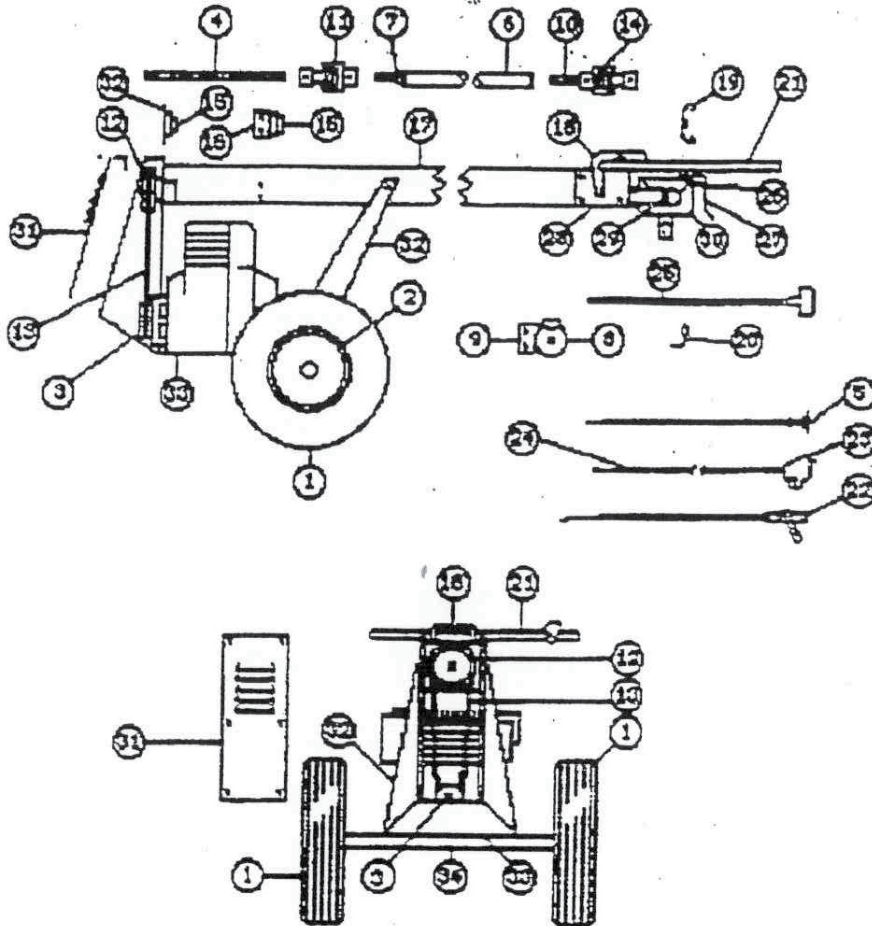




ED90 One Man Hole Borer Parts Diagram

CLEVIS PIN
D-3000

ED90 PARTS GUIDE



REF. #	ITEM #	DESCRIPTION	REF. #	ITEM #	DESCRIPTION
1.	5400	Tire	19.	5545	Latch Spring
2.	5405	Wheel	20.	5546	Starter Rope Guide
3.	900	Centrifugal Clutch	21.	5550	Handle Bar
4.	5500	Jack Shaft	22.	5551	Throttle Assembly
5.	5502	Choke Control	23.	5552	Ign. Switch + Mount
6.	5505	Drive Shaft	24.	5553	Ign. Switch Wire
7.	5506	Drive Shaft Spacer	25.	5554	Starter Rope
8.	5507	Starter Rope Pulley	26.	5555	Pivot Plate
9.	5508	Pulley Bracket	27.	5556	Handle Bar Stop
10.	5510	Sq. Sliding Member	28.	5560-1	Left Pivot Bracket
11.	5515	" U " Joint (R/R)		5560-2	Right Pivot Bracket
12.	5516	Sheave	29.	5561	Pivot Brkt Bushing
13.	5517	Drive Belt	30.	5565	Gear Box ED90
14.	5520	" U " Joint (R/S)	31.	5566	Belt Cover
15.	5525	Flange Bearing	32.	5580	Bearing Plate
16.	5530	Jack Shaft Support	33.	5586	Engine Frame
17.	5535	Boom	34.	5595	Axle
18.	5540	Handle Bar Latch			



TRACMASTER

Landscape • Groundcare • Conservation

ED90 One Man Hole Borer Parts Diagram



EARTH DRILL



PENGO®

Pilot Blades

D - SB-25



D - SB-25c



SB-25cxc



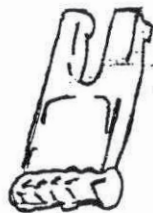
Pengo Blades

35



D-35

35HF



D-35HF

5T30



D35

5T30c



1336

