



**BCS Motor mowers, BCS 2-wheel tractors**

**780 HY**

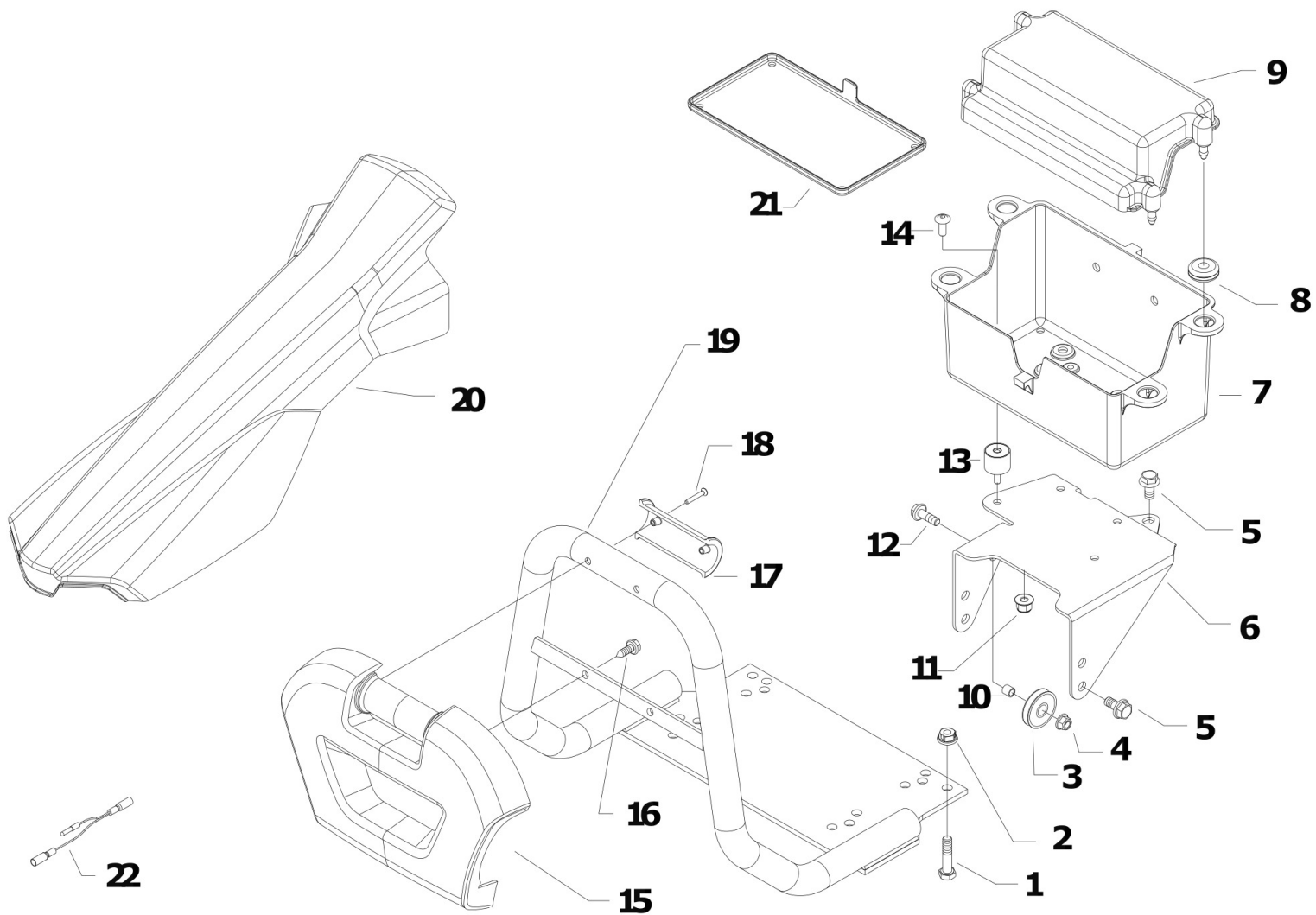
08/06/2023

A70021 - 780 HY.....	3
A.01.01.A0055_00 - ENGINE PROTECTIONS.....	4
A.02.01.A0055_00 - ENGINE COVER.....	6
B.01.01.A0055_00 - POWERSAFE CLUCH CONTROL.....	8
C.01.01.A0039_00 - CYLINDER AND POWERSAFE CLUTCH.....	10
D.01.01.A0055_00 - POWERSAFE FILTER AND UNIT.....	12
E.01.01.A0039_00 - POWERSAFE CLUTCH HUB.....	14
F.01.01.A0039_00 - ENGINE FLANGES.....	16
G.01.01.A0055_00 - GEARBOX.....	18
H.01.01.A0055_00 - GEAR SHAFT CLUTCH.....	20
H.02.01.A0055_00 - PUMP ASSEMBLY.....	22
H.02.01.A0055_01 - PUMP ASSEMBLY.....	24
H.03.01.A0055_00 - HYDRO CONTROLS.....	26
I.01.01.A0055_00 - WHEEL AXLE.....	29
J.01.01.A0055_00 - COLUMN SUPPORT.....	31
J.02.01.A0055_00 - STEERING COLUMN.....	33
J.02.01.A0055_01 - STEERING COLUMN.....	35
K.01.01.A0055_00 - HANDLEBAR.....	37
K.01.01.A0055_01 - HANDLEBAR.....	39
K.01.01.A0055_02 - HANDLEBAR.....	41
L.01.01.A0055_00 - HANDLEBAR CONTROLS.....	43
L.01.01.A0055_01 - HANDLEBAR CONTROLS.....	46
M.01.01.A0055_00 - AUCTION OF CONTROL.....	49
M.01.01.A0055_01 - AUCTION OF CONTROL.....	51
N.01.02.A0058_00 - BRAKES.....	53
P.01.01.A0039_00 - WHEELS.....	55
R.01.01.A0055_00 - STICKERS.....	57
S.01.01.A0055_00 - ELECTRIC STARTER.....	59



<b>Id</b>	<b>Description</b>
A.01.01.A0055_00	ENGINE PROTECTIONS
A.02.01.A0055_00	ENGINE COVER
B.01.01.A0055_00	POWERSAFE CLUCH CONTROL
C.01.01.A0039_00	CYLINDER AND POWERSAFE CLUTCH
D.01.01.A0055_00	POWERSAFE FILTER AND UNIT
E.01.01.A0039_00	POWERSAFE CLUTCH HUB
F.01.01.A0039_00	ENGINE FLANGES
G.01.01.A0055_00	GEARBOX
H.01.01.A0055_00	GEAR SHAFT CLUTCH
H.02.01.A0055_00	PUMP ASSEMBLY
H.02.01.A0055_01	PUMP ASSEMBLY
H.03.01.A0055_00	HYDRO CONTROLS
I.01.01.A0055_00	WHEEL AXLE
J.01.01.A0055_00	COLUMN SUPPORT
J.02.01.A0055_00	STEERING COLUMN
J.02.01.A0055_01	STEERING COLUMN
K.01.01.A0055_00	HANDLEBAR
K.01.01.A0055_01	HANDLEBAR
K.01.01.A0055_02	HANDLEBAR
L.01.01.A0055_00	HANDLEBAR CONTROLS
L.01.01.A0055_01	HANDLEBAR CONTROLS
M.01.01.A0055_00	AUCTION OF CONTROL
M.01.01.A0055_01	AUCTION OF CONTROL
N.01.02.A0058_00	BRAKES
P.01.01.A0039_00	WHEELS
R.01.01.A0055_00	STICKERS
S.01.01.A0055_00	ELECTRIC STARTER





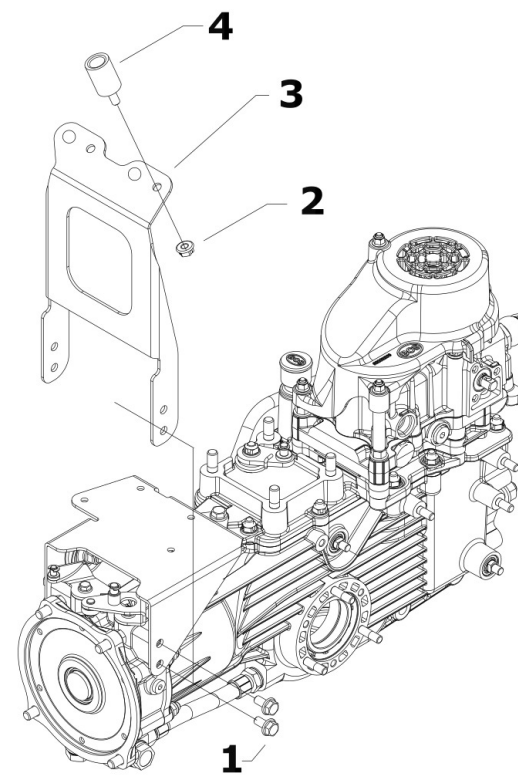
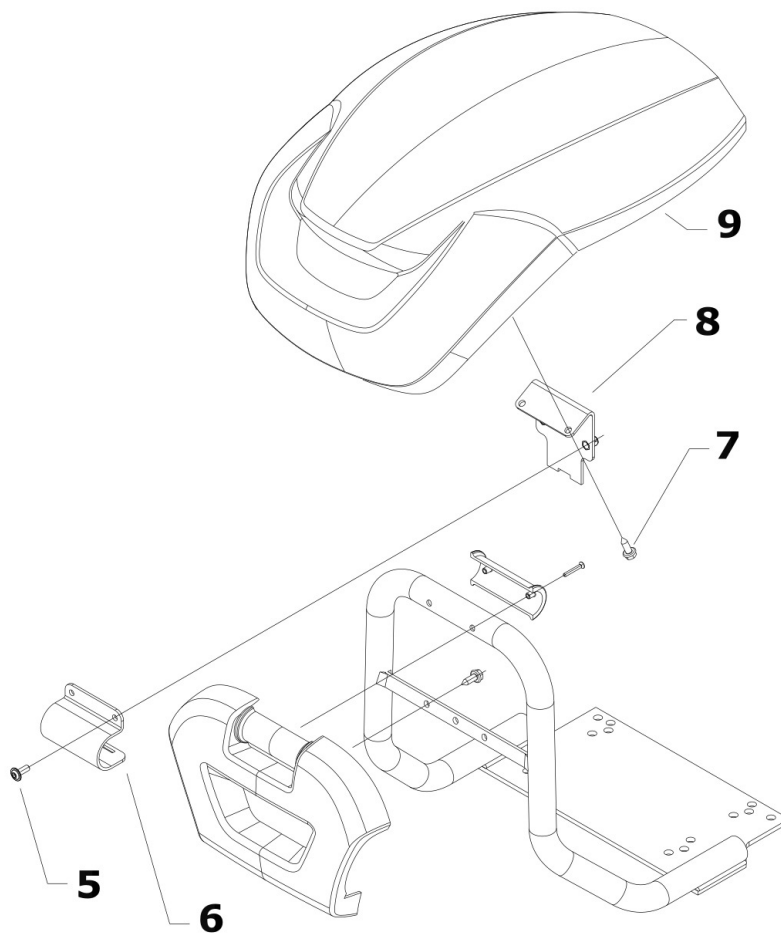
[Click for info](#)

★ = new part



Pos.	Id	Q.ty	Description	Note
1	31112169		SCREW TE C/F M8X40 DIN 6921	
2	31241084		SELFLOCK NUT M8 6S	
3	55220363		PULLEY BRAKE	
4	31241104		SELFLOCK NUT M10	
5	31112171		SCREW TE C/F M8X16 DIN 6921	
6	561C2247		TUNNEL SG	
7	552C2463		PORTA BATTERIA SG	
8	58056991		CABLE GLAND 90/200/30	
9	552C2465		COPERCHIO AE BENZINA SG	
10	56120364Z		SLEEVE	
11	31241066		SELFLOCK M6 FL NY DIN 6926	
12	31112233		SCREW M10X30 DIN 6921 8G	
13	58135225		VIBRATION-DAMPING	
14	31121018		SCREW TBCEI FLANG. M6X16	
15	55257521		BCS FRONT PLASTIC DESCRIPTION MC 2010	
16	31510100		RIBBED SCREW 6,3X19 UNI 6950	
17	55257522		HALF BEARING	
18	31100451		SCREW 3,5X25	
19	590C2340N		PARAURTI COMPLETO GX SG	GX390
19	590C2551N		PARAURTI C.TO LV100 SG	L100
20	552C2335		CARROZZERIA MOBILE MC SG	
21	573C2450		TAPPETINO IN GOMMA SG	
22	58057385		LINE	



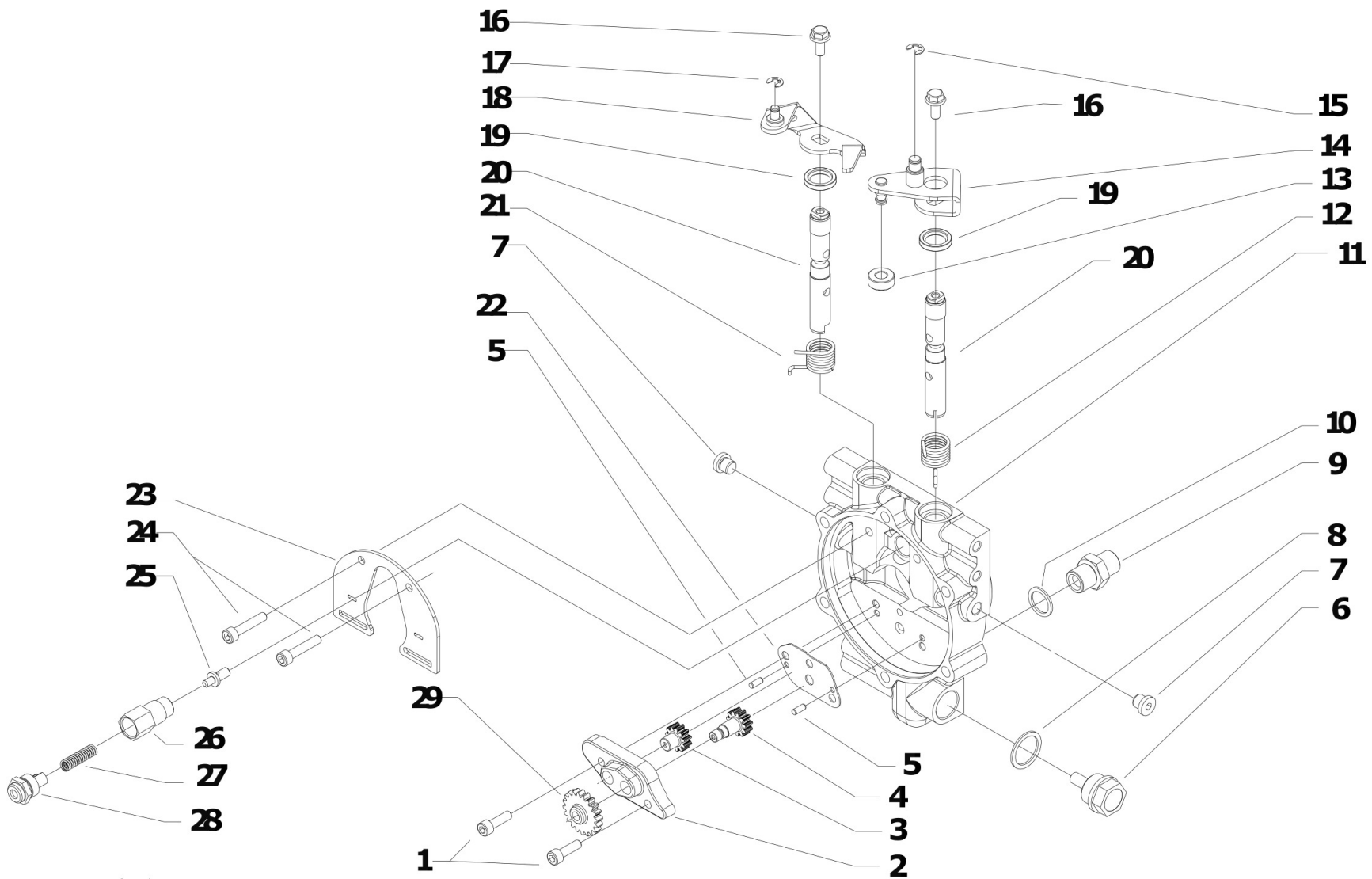


[Click for info](#)

★ = new part

Pos.	Id	Q.ty	Description	Note
1	31112170		SCREW TE C/F M8X20 DIN 6921	
2	31211080		NUT M8	
3	561C2342N		SUPP. TAMPONI GX GRANDE SG	GX390
3	561C2553N		SUPPORTO TAMPONI L100V SG	L100
4	58042111		STOPPER	
5	31121018		SCREW TBCEI FLANG. M6X16	
6	56157519N		RH HINGE	
7	31510100		RIBBED SCREW 6,3X19 UNI 6950	
8	59257517		PLATE	L100
8	59257523		PLATE	GX390
9	55257520		BONNET	





 [Click for info](#)

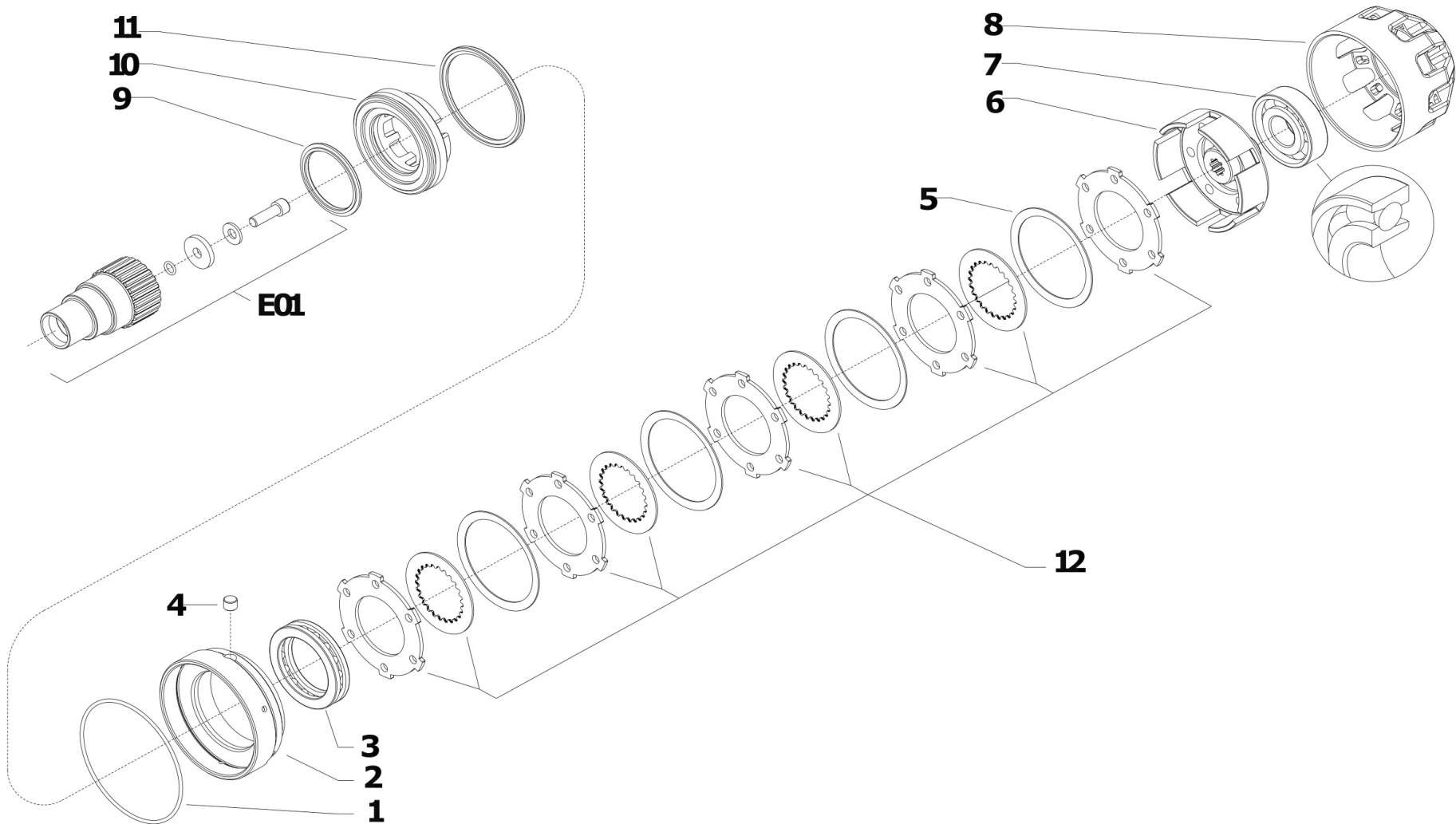
★ = new part





Pos.	Id	Q.ty	Description	Note
1	31152063		SCREW TCEI M6X20 UNI 5931	
2	56356364		PUMP COVER PS/14	
3	52456371		PUMP GEAR PS/14	
4	52456372		PUMP GEAR	
5	34221040		CYLINDRICAL PLUG	
6	581C2554		TAPPO MAGNETICO M22X1,5	
7	580C0041		PLUG	
8	F0844273090		GASKET 22X28X1,5 CU 99,5	
9	30000197		NIPPLE	
10	31480184		COPPER WASHER 16,7x22/1,5	
11	59256745		POWERSAFE CLUTCH FLANGE	
12	58056222		SPRING	
13	55256228		ROLLER	
14	59056225Z		CLUTCH LEVER	
15	35211060		SEEGER RING E 6 UNI 7434	
16	31112084		SCREW TE C/F M6X14 DIN 6921 8G	
17	35211050		SEEGER RING E 5 UNI 7434	
18	59056748Z		COMPLETE STOP LEVER PS GALV.	
19	38211400		OIL SEAL 14X22X4	
20	52456220		DISTRIBUTOR	
21	58056221		SPRING	
22	56356747		PUMP RECEPTOR PS/14	
23	56156224		SHIELD	
24	31152060		SCREW TCEI M6X30 UNI 5931	
25	56456657		VALVE	
26	56156658		VALVE INSERT/INLET	
27	58056683		SPRING	
28	56356242		PLUG	
29	55256353		PUMP GEAR	





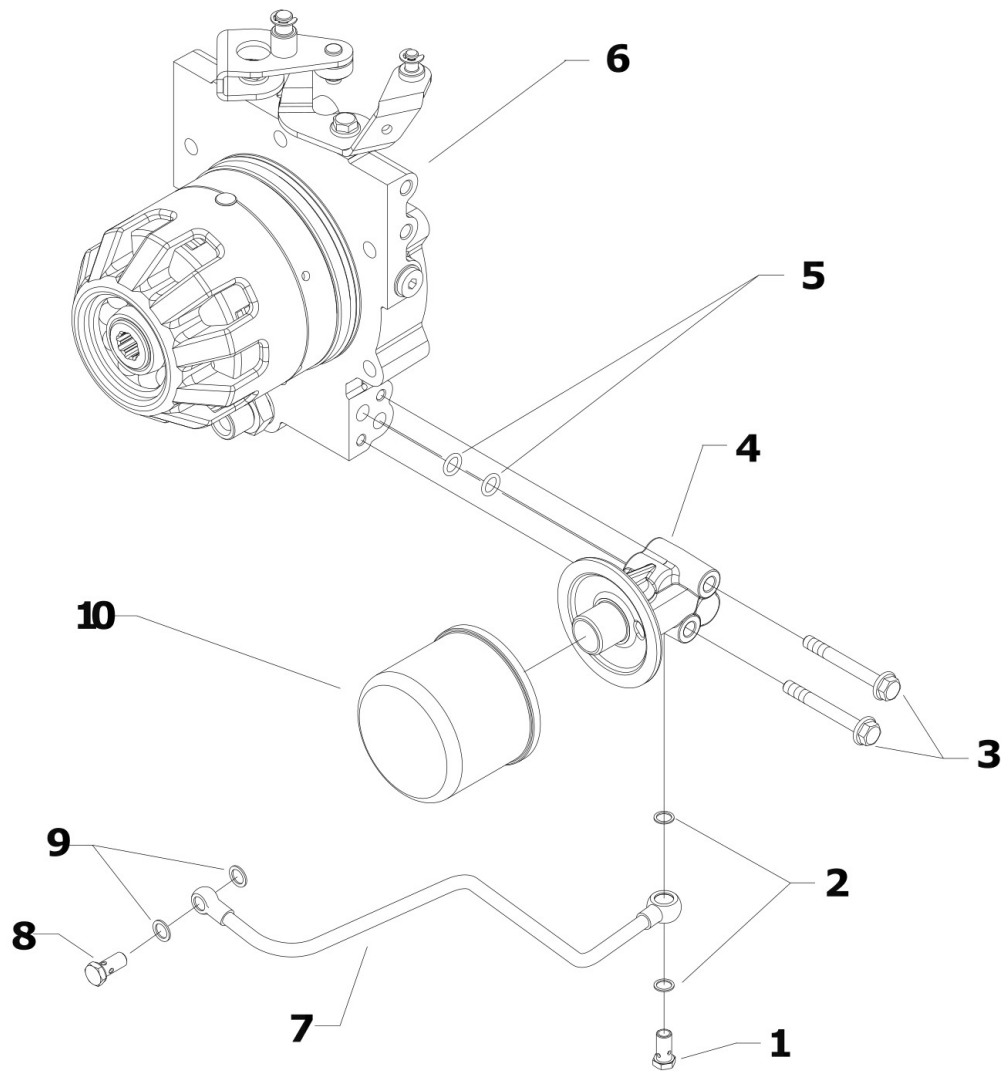
 [Click for info](#)

★ = new part



Pos.	Id	Q.ty	Description	Note
1	38118859		O-RING OR 3375 (94,92X2,62)	
2	56356216		RING	
3	37161500		BEARING 51110 (50X70X14)	
4	56156247		PIN	
5	56556213		SPRING	nr.4
6	52456694		CLUTCH HOUSING	
7	37141253		BEARING 7305-BJP OBL 25x62x17	
8	53156210		SUMP	
9	38120501		RING PTFE PRP 01A02-0500-A-32	
10	53156218		PISTON	
11	38140851		RING PTFE PRP02A02-0850-A-32-N	
12	59256693		9 DISC CLUTCH	



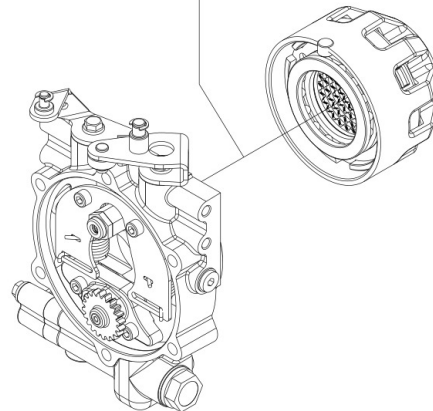
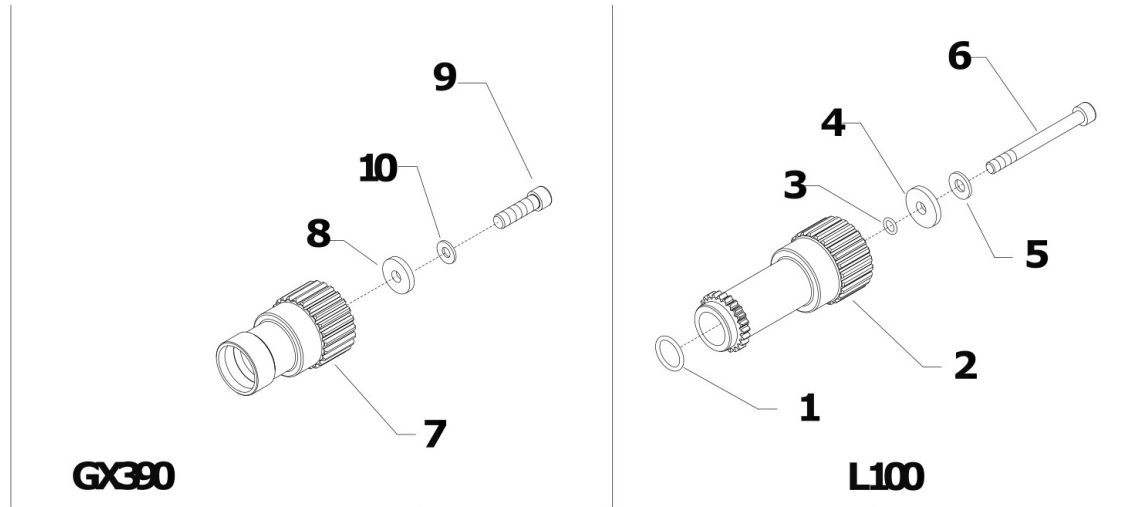


[Click for info](#)

★ = new part

Pos.	Id	Q.ty	Description	Note
1	F0843109020		PIPE FITTING	
2	31480184		COPPER WASHER 16,7x22/1,5	
3	31112099		SCREW TE C/F M6X50 DIN 6921 8G	
4	53156659		CONNECTION	
5	38110873		O-RING 108 (8,73X1,78)	
6	59256037		CLUTCH FOR POWERSAFE Q25.4 (3/8)	GX390
6	59256038		POWERSAFE CLUTCH	L100
7	590C2257		TUBO ASPIRAZIONE SG C.TO	
8	30000283		VITE FORATA GAS 1/4 H29 D 7623	
9	31480182		COPPER WASHER 14	
10	580C0268		FILTER	





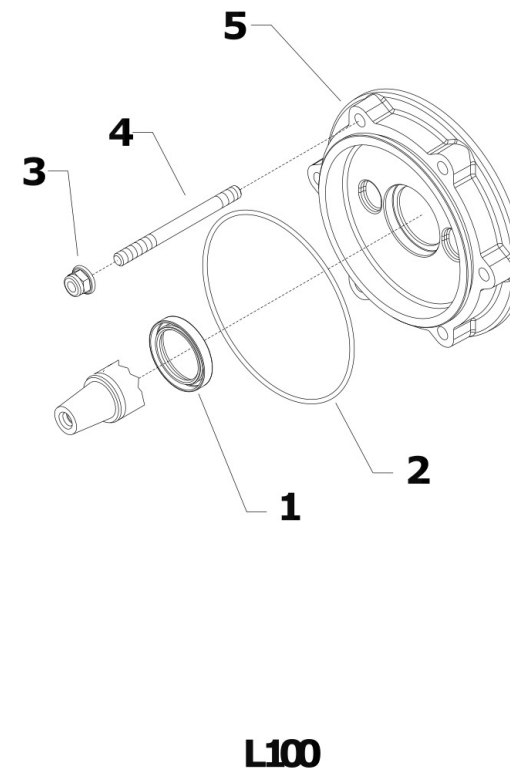
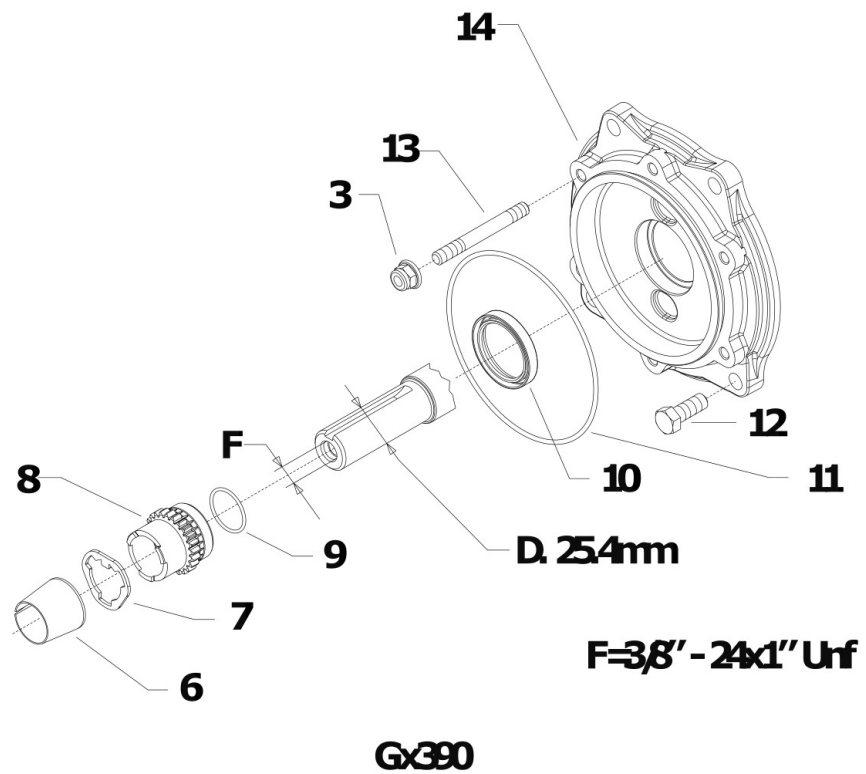
 [Click for info](#)

★ = new part



Pos.	Id	Q.ty	Description	Note
1	38111872		O-RING 3075 (18,72x2,62)	
2	52456245		HUB	
3	38110675		O-RING 106 (6,75X1,78)	
4	56156288Z		SPECIAL WASHER SP.4	
5	31421083		WASHER	
6	31152090		SCREW TCEI M8x80 UNI5931	
7	52456233		HUB Q25	
8	561C0421		WASHER	
9	31100033		SCREW TCCEI 3/8-24 X 1-1/2	
10	31421101		WASHER 10 DIN 679	





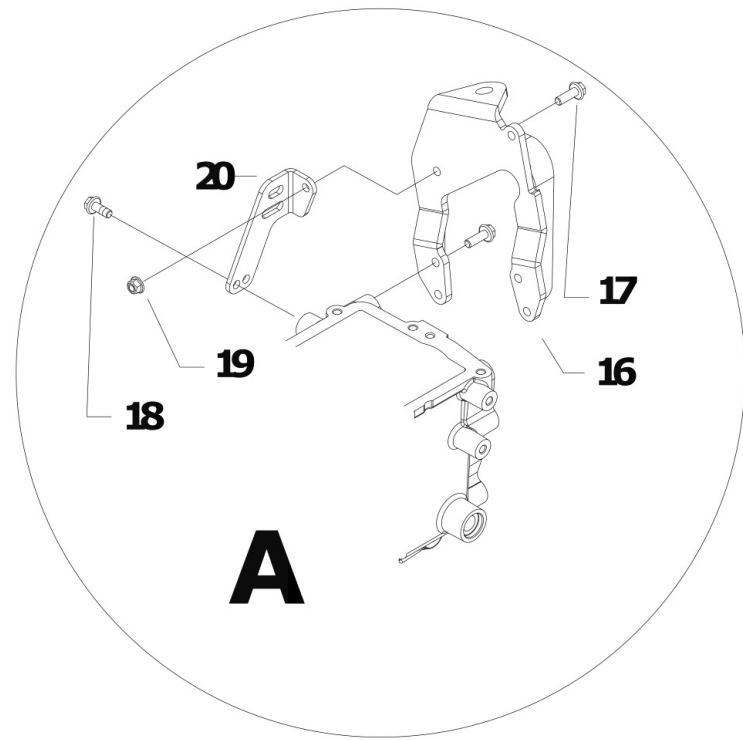
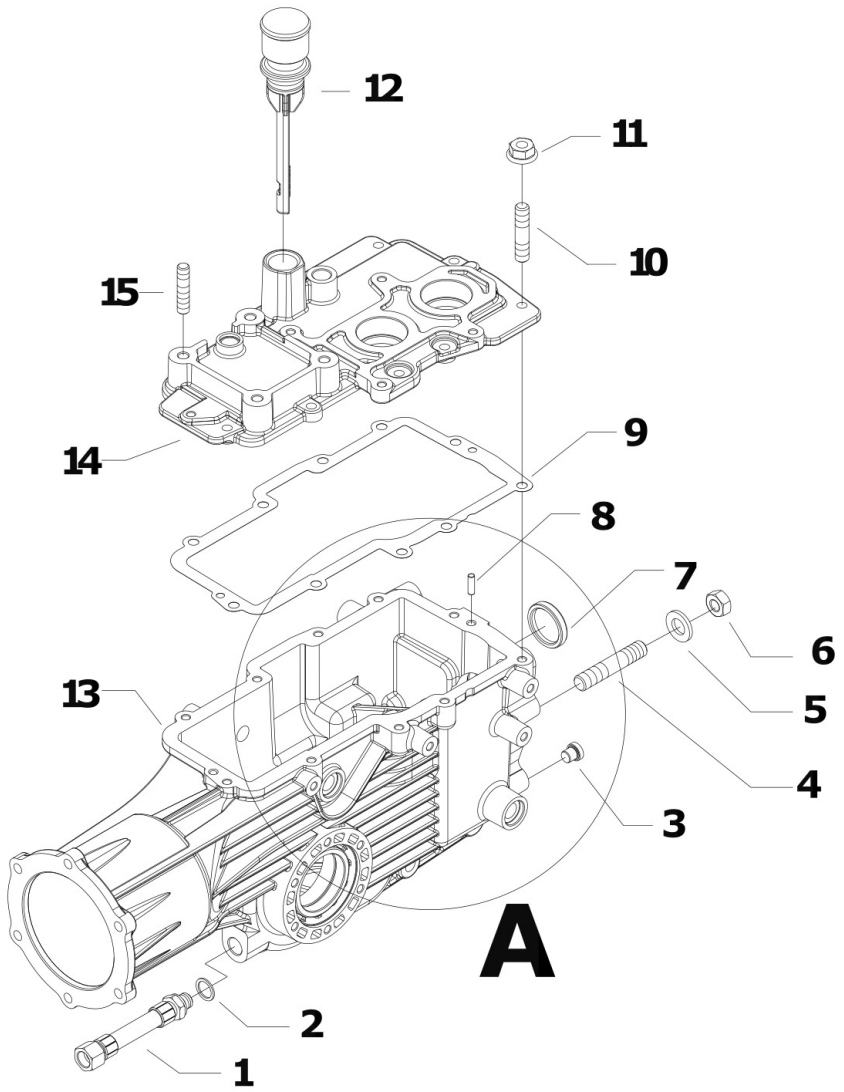
 [Click for info](#)

★ = new part



Pos.	Id	Q.ty	Description	Note
1	38213202		OIL SEAL 32X45X7	
2	38119823		O-RING 3450 (113,97x2,62)	
3	31241083		SELFLOCK NUT M8	
4	31312097		STUD BOLT M8X98X16X28 8G	
5	53156207		ENGINE FLANGE	
6	56156281		CENTRING BUSH D.25,4	
7	56356239		FEEDER Q25	
8	52456236		PUMP GEAR	
9	F0803075500		O-RING 2100 (25,12X1,78)	
10	38213500		OIL SEAL 35X47X7	
11	38119823		O-RING 3450 (113,97x2,62)	
12	31100015		SCREW TE 3/8X1	
13	31312073		STUD BOLT M8X73X14X20 8G	
14	53156205		ENGINE FLANGE Q25	





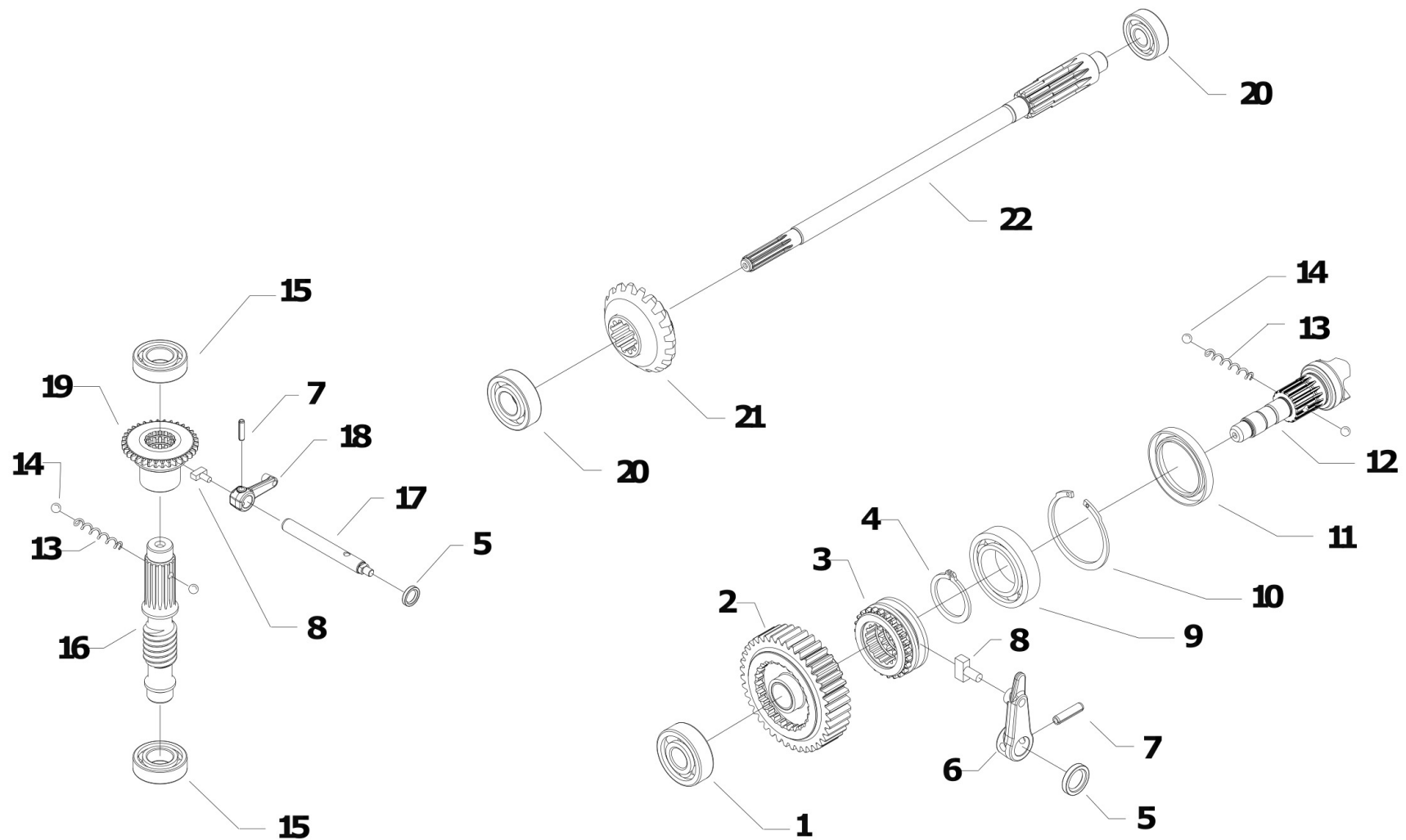
[Click for info](#)

★ = new part



Pos.	Id	Q.ty	Description	Note
1	59056244		SUCTION PIPE	
2	31480184		COPPER WASHER 16,7x22/1,5	
3	58034914		PLUG	
4	31312125		STUD BOLT 64XM12X1,25X26XM12X30 8G	
5	31421132		WASHER 13X24X2,8	
6	31221121		NUT M12X1,25	
7	30000040		COPERCHIO DI CHIUSURA CC40X7	
8	58043053		CYLINDRICAL PLUG	
9	580C2229		GUARNIZIONE COPERCHIO SG	
10	31312082		STUD BOLT M8X38X14X20	
11	31241084		SELFLOCK NUT M8 6S	
12	59256762		OIL CAP M COMPLETE	
13	531C2202		CORPO SCATOLA CAMBIO SG	
14	531C2201		COPERCHIO SCATOLA CAMBIO SG	
15	31312103		STUD BOLT M10X46X24X16	
16	590C2291		ATTACCO MC SG C.TO	
17	31112233		SCREW M10X30 DIN 6921 8G	
18	31112218		SCREW TE C/F M10X25 DIN 6921	
19	31241104		SELFLOCK NUT M10	
20	561C2295		PROTEZIONE LATERALE SG	





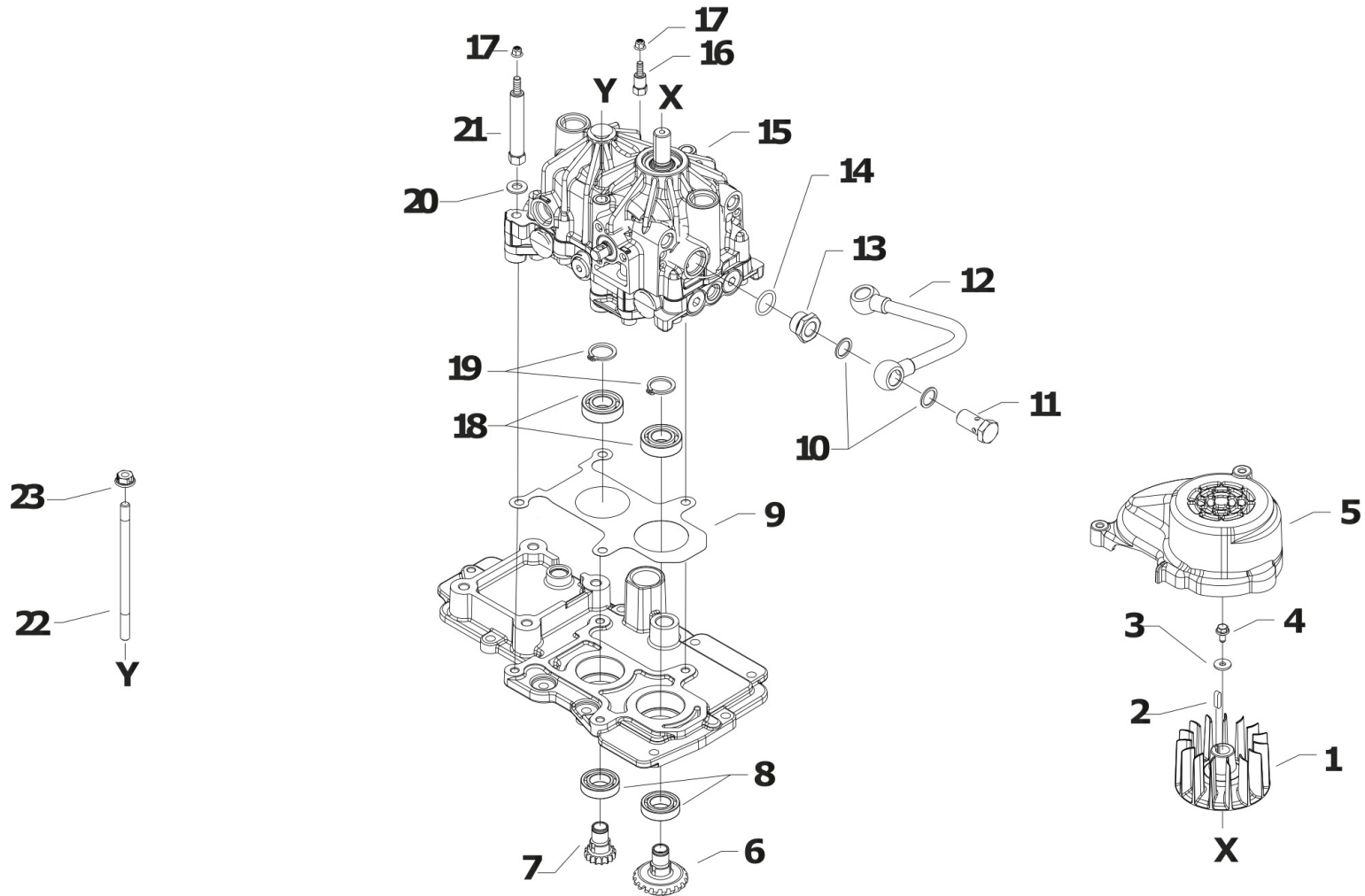
[Click for info](#)

★ = new part



Pos.	Id	Q.ty	Description	Note
1	37111152		BEARING 6302 (15X42X13) SKF	
2	590C2213		INGRANAGGIO PTO SG P.I.	
3	52456706		PTO COUPLING	
4	35121031		SEEGER RING E 30 UNI 7436	
5	38211400		OIL SEAL 14X22X4	
6	524C2276		LEVA SCORREVOLE PTO SG	
7	34213060		ROLL PIN	
8	58043086		SHOE	
9	37112229		BEARING 6006 (30X55X13) SKF	
10	35111155		ANELLO SEEGER I 55 TIPO JV	
11	38214207		OIL SEAL 42X55X7	
12	524C2212		ALBERO PTO SG	
13	58056391		SPRING	
14	37910832		BALL 1/4	
15	37111255		BEARING 6205 (25X52X15)	
16	564C2219		VITE SF 2 PRINCIPI SG DX	
17	563C2220		PERNO LEVA SGANCIO TRAZIONE SG	
18	52456389		LEVER	
19	524C2217		INGRANAGGIO SCORREVOLE SG	
20	37111171		BEARING 6203 (17X40X12)	
21	524C2205		RUOTA CONICA Z18 SX SG	
22	524C2211		ALBERO FRIZIONE SG	



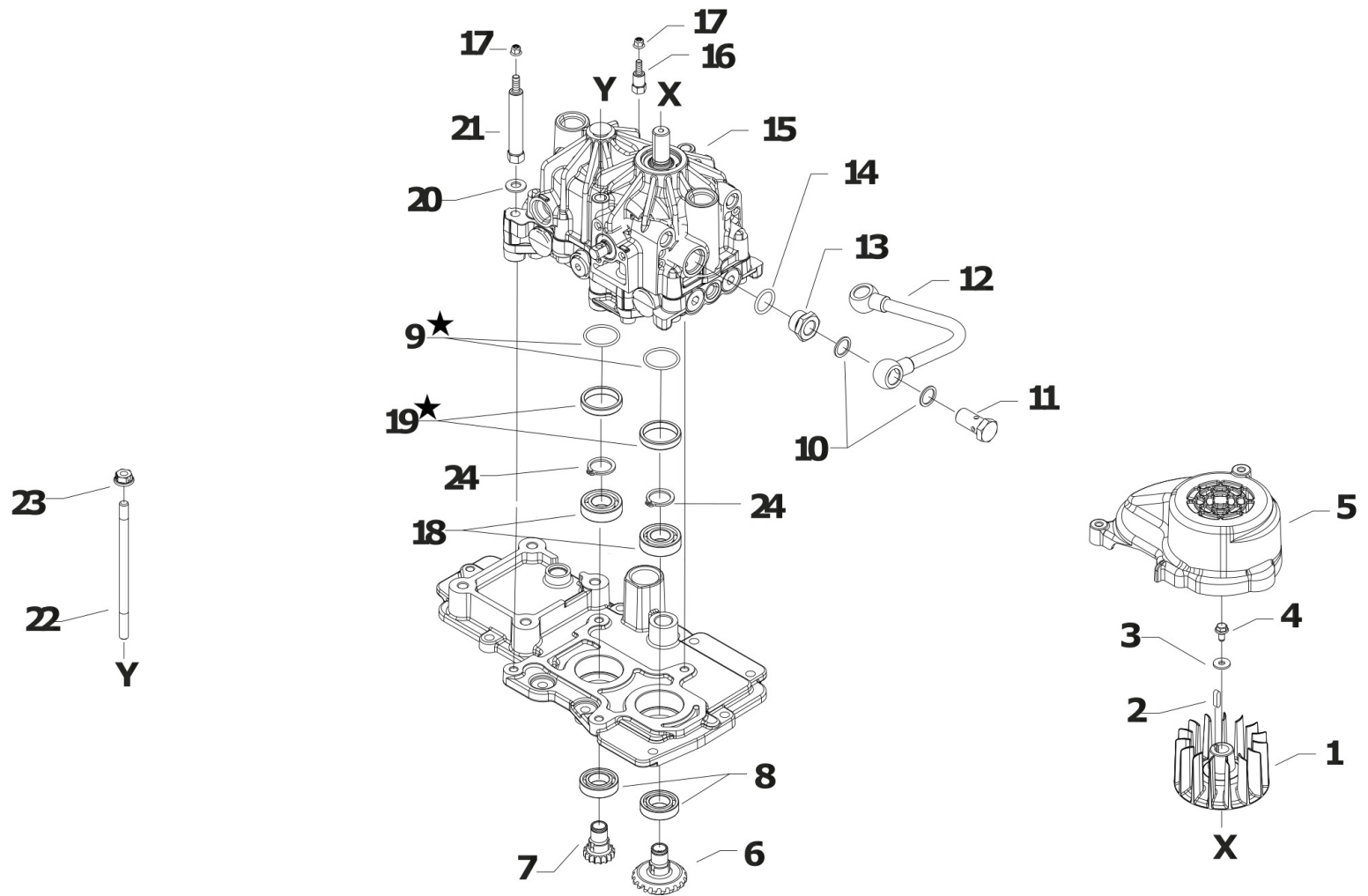


[Click for info](#)

★ = new part

Pos.	Id	Q.ty	Description	Note
1	552C2268		VENTOLA RADIALE SG	
2	34321050		KEY 5X5X20	
3	31411066		WASHER 6,6x18	
4	31112079		VITE TE C/F M6X12 DIN 6921 RVS	
5	552C2266		CARTER RAFFREDDAMENTO SG	
6	524C2206		RUOTA CONICA Z19 DX SG	
7	524C2216		INGRANAGGIO MOTORE SG	
8	37111253		BEARING 6005 (25X47X12)	
9	580C2263		GUARNIZIONE KHS-13	
10	31480184		COPPER WASHER 16,7x22/1,5	
11	F0843109020		PIPE FITTING	
12	590C2256		TUBO RITORNO SG C.TO	
13	561C0196		REDUCTION	
14	38111872		O-RING 3075 (18,72x2,62)	
15	581C0290		GR. KANZAKI KHS-13JH	
16	563C0173		SMALL COLUMN	
17	31241066		SELFLOCK M6 FL NY DIN 6926	
18	F0812631000		BEARING 6004 (20X42/12)	
19	35121022		SEEGER RING E 20 UNI 7436	
20	31421083		WASHER	
21	563C2269		COLONNETTA SG	
22	580C0223		STUD BOLT	
23	31241084		SELFLOCK NUT M8 6S	





[Click for info](#)

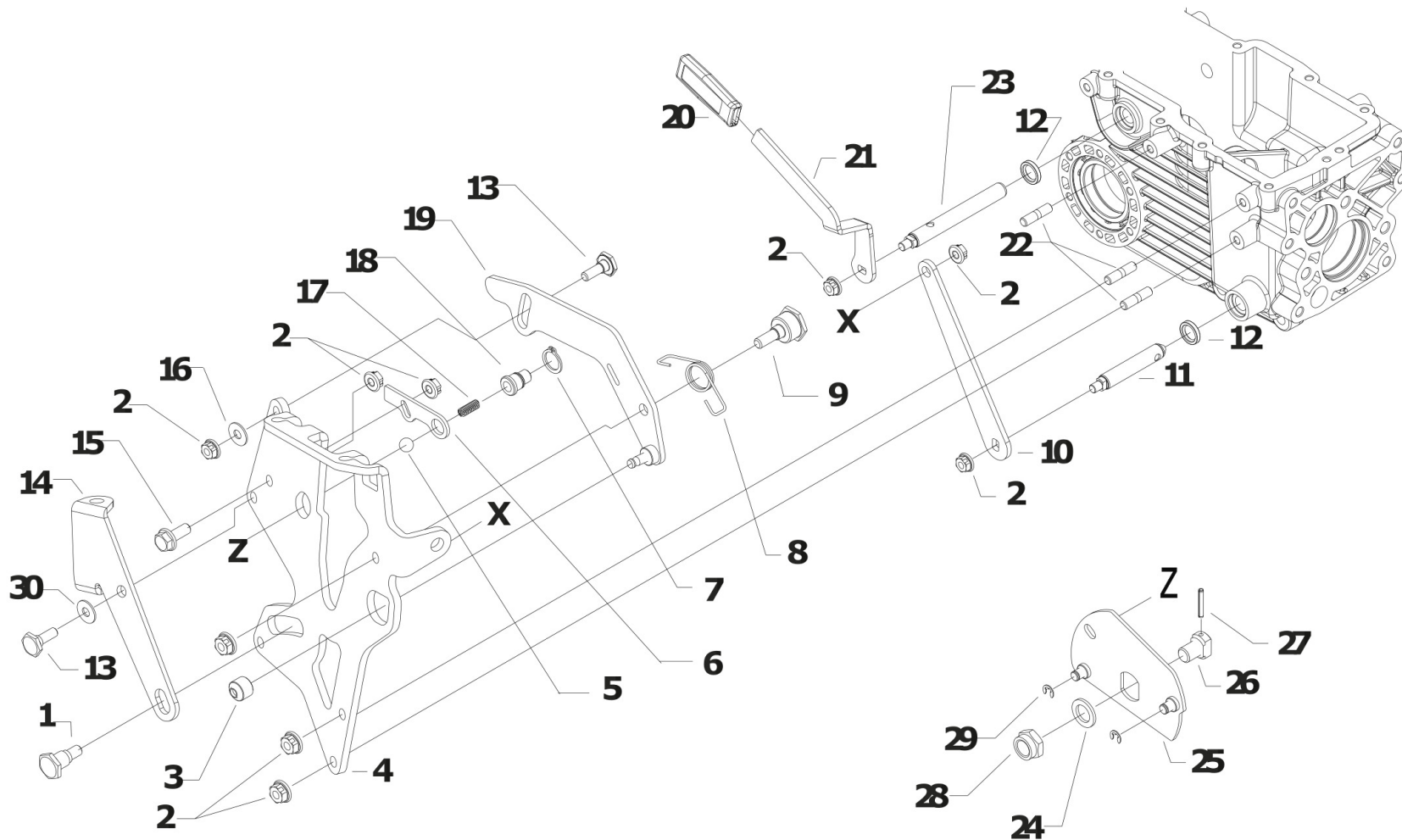
★ = new part





Pos.	Id	Q.ty	Description	Note
1	552C2268		VENTOLA RADIALE SG	
2	34321050		KEY 5X5X20	
3	31411066		WASHER 6,6x18	
4	31112079		VITE TE C/F M6X12 DIN 6921 RVS	
5	552C2266		CARTER RAFFREDDAMENTO SG	
6	524C2206		RUOTA CONICA Z19 DX SG	
7	524C2216		INGRANAGGIO MOTORE SG	
8	37111253		BEARING 6005 (25X47X12)	
9	38114286		O-RING 147 (42,82x3,53)	
10	31480184		COPPER WASHER 16,7x22/1,5	
11	F0843109020		PIPE FITTING	
12	590C2256		TUBO RITORNO SG C.TO	
13	561C0196		REDUCTION	
14	38111872		O-RING 3075 (18,72x2,62)	
15	581C0290		GR. KANZAKI KHS-13JH	
16	563C0173		SMALL COLUMN	
17	31241066		SELFLOCK M6 FL NY DIN 6926	
18	F0812631000		BEARING 6004 (20X42/12)	
19	561C2512		SPIGOT BUSHING	
20	31421083		WASHER	
21	563C2269		COLONNETTA SG	
22	580C0223		STUD BOLT	
23	31241084		SELFLOCK NUT M8 6S	
24	35121022		SEEGER RING E 20 UNI 7436	





[Click for info](#)

★ = new part

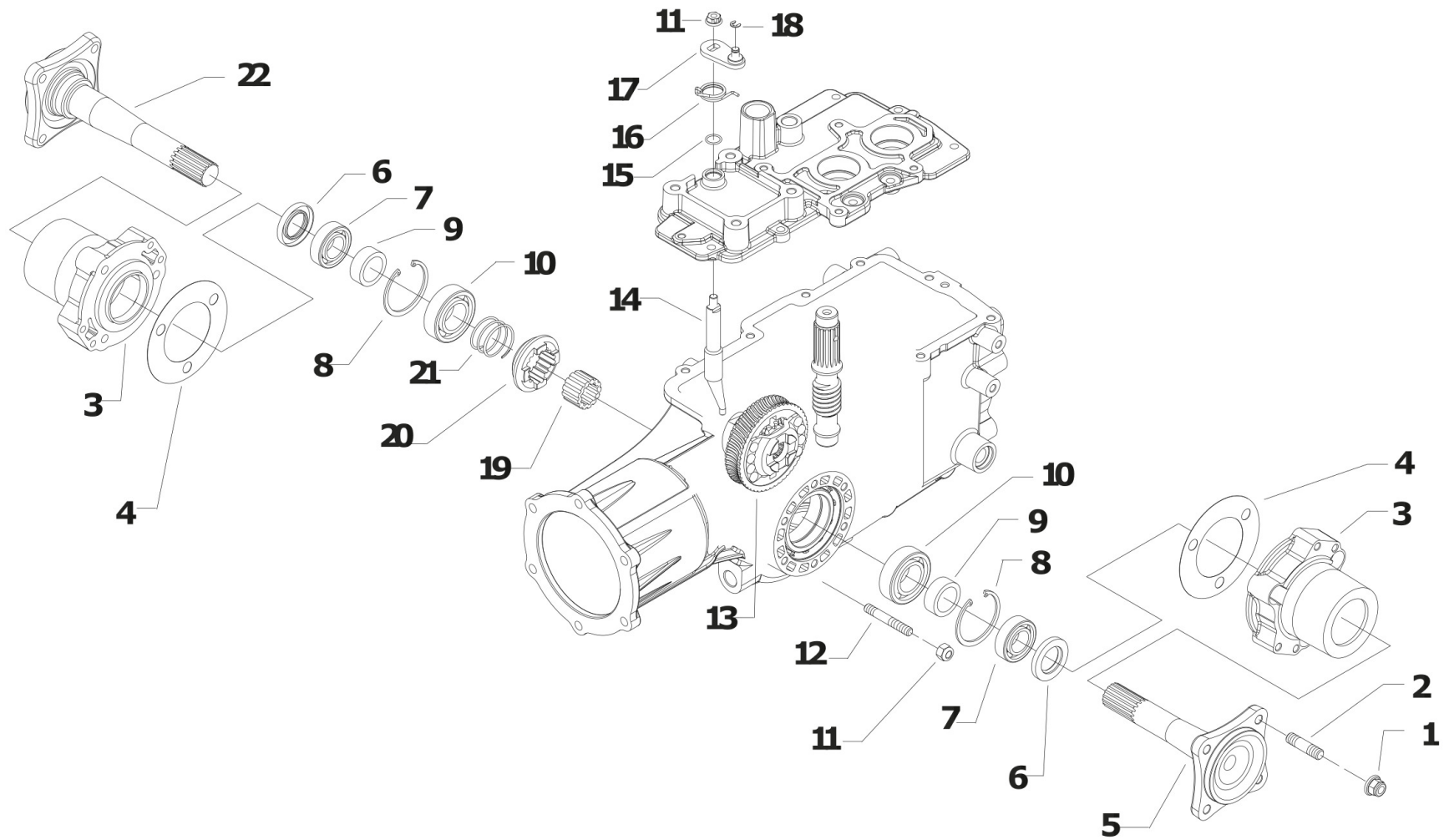


Pos.	Id	Q.ty	Description	Note
1	563C2225		PERNO SNODO PTO SG	
2	31241084		SELFLOCK NUT M8 6S	
3	55257313		ROLLER	
4	561C2270		PIASTRA AZIONAMENTI MC SG	
5	37911532		BALL 15/32	
6	561C0135		LEVER	
7	35121018		SEEGER RING E 18 DIN 471	
8	580C2290		MOLLA BLOCCO PTO SG	
9	563C0134		LOCKING BOLT	
10	565C2237		LEVA PTO SG	
11	564C2378		PERNO LEVA PTO SG	
12	38211400		OIL SEAL 14X22X4	
13	563C0426		LOCKING BOLT	
14	561C2275		LEVA RINVIO PTO MC SG	
15	31112170		SCREW TE C/F M8X20 DIN 6921	
16	31413084		WASHER 8,4	
17	58056683		SPRING	
18	563C0208		SLEEVE	
19	590C2273		LEVA CONTRASTO PTO MC SC C.TO	
20	55159364		RED FLAT KNOB	
21	565C2228Z		LEVA SGANCIO TRAZIONE SG	
22	31312078		STUD BOLT M8X32X14X14	
23	563C2220		PERNO LEVA SGANCIO TRAZIONE SG	
24	31414190		WASHER 19	
25	590C2271		FARFALLA MC SG C.TA	
26	563C0177		SLEEVE	
27	34213055		ROLL PIN	
28	31241182		SELFLOCK NUT M18X1,5	
29	35211050		SEEGER RING E 5 UNI 7434	



Pos.	Id	Q.ty	Description	Note
30	31492200		MOLLA TZ20X10.2X0.5 D2093 INOX	





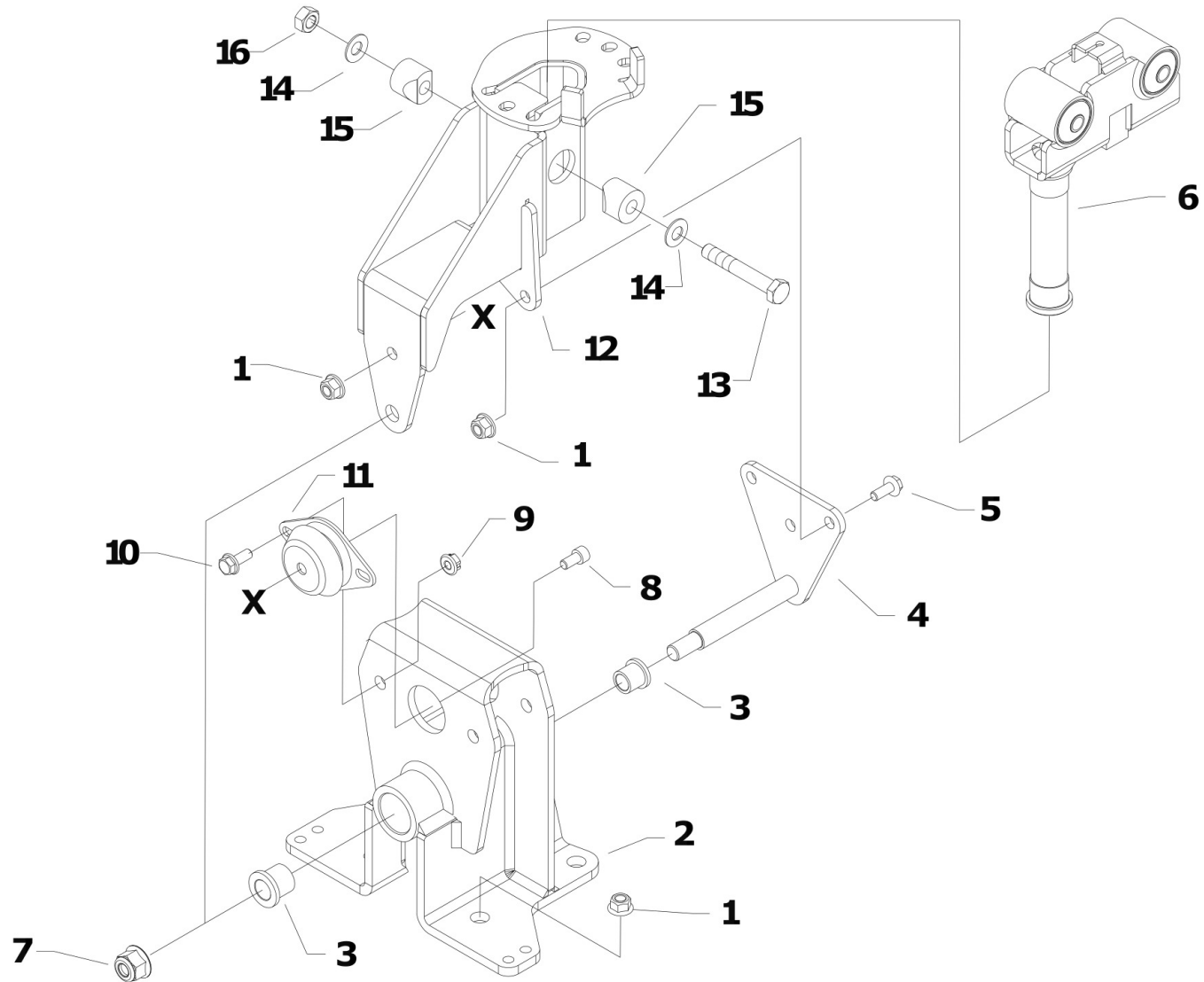
[Click for info](#)

★ = new part



Pos.	Id	Q.ty	Description	Note
1	31241103		SELFLOCK NUT M10	
2	31312102		STUD BOLT M10X40X24X12	
3	53243851N		HUB	
4	58043855		GASKET	
5	52448187N		AXLE SHAFT	
6	38213002		OIL SEAL 30X40X7	
7	37111253		BEARING 6005 (25X47X12)	
8	35111047		SEEGER RING I 47 DIN 472	
9	56148184		RING	
10	37111250		BEARING	
11	31241084		SELFLOCK NUT M8 6S	
12	31312080		STUD BOLT M8X46X20X12	
13	59048199		DIFFERENTIAL GEAR	
14	56443871		ROD	
15	38111400		O-RING (14,00X1,78)	
16	580C2284		MOLLA BLOCCO DIFFERENZIALE SG	
17	590C2262		LEVETTA BLOCCO DIFF. SG C.TO	
18	35211050		SEEGER RING E 5 UNI 7434	
19	56448183		SPACER	
20	56448196		COUPLING	
21	58043874		SPRING	
22	52448188N		AXLE SHAFT	





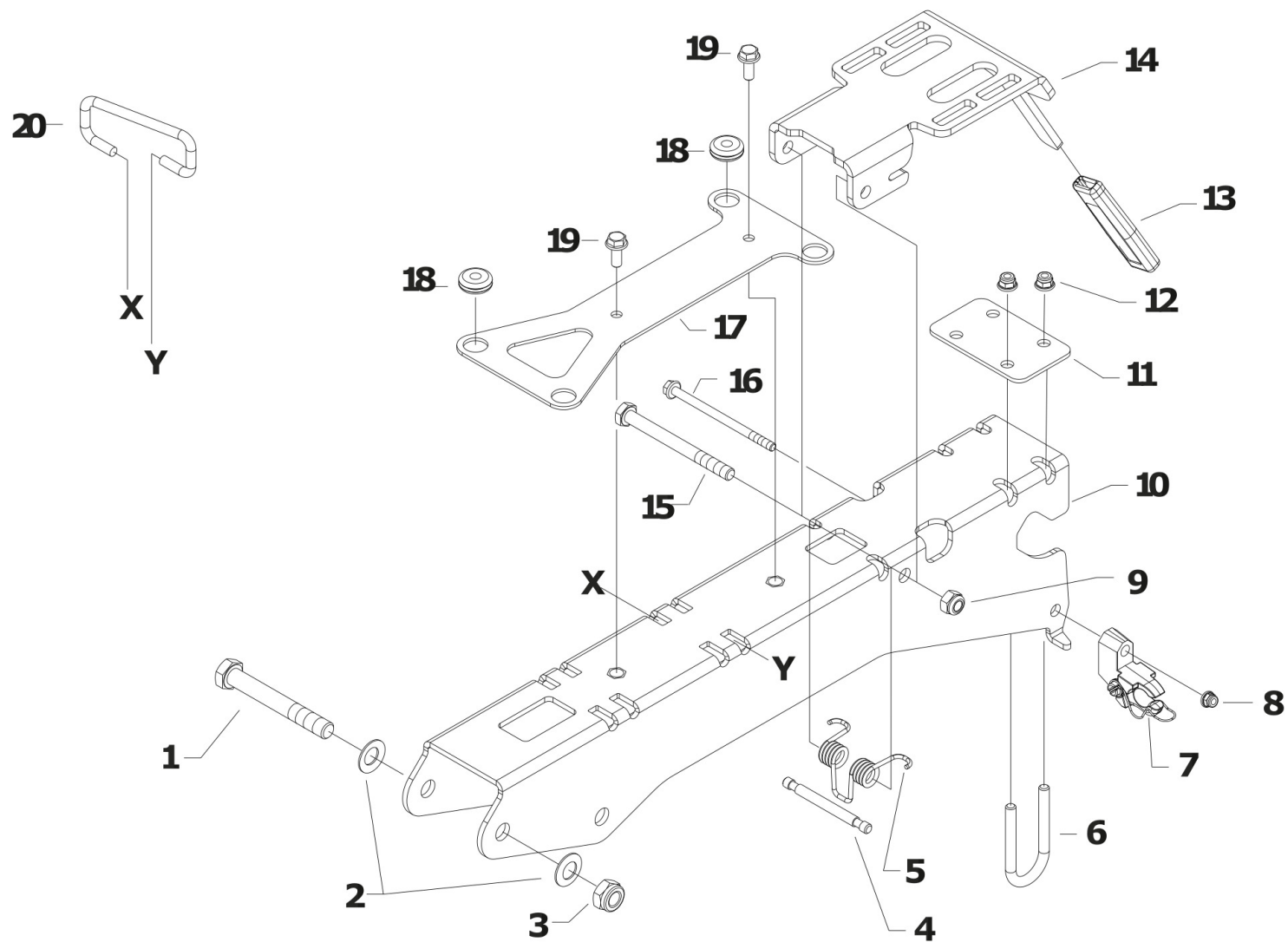
[Click for info](#)

★ = new part

Pos.	Id	Q.ty	Description	Note
1	31241104		SELFLOCK NUT M10	
2	590C2305		BASE PIANTONE SG C.TA	
3	30030018		BUSHING 18x25x25	
4	590C2309Z		PERNO PIANTONE SG C.TO	
5	31112218		SCREW TE C/F M10X25 DIN 6921	
6	590C2240		SNODO PIANTONE SG C.TO C/SIL	
7	31241145		S/LOCK NUT M14 FL/NY DIN 6927	
8	31152098		SCREW TCEI M10X20 UNI 5931	
9	31241084		SELFLOCK NUT M8 6S	
10	31112170		SCREW TE C/F M8X20 DIN 6921	
11	581C2347		ANTIVIBRANTE CS6231M ShA 60	
12	590C2312		COLONNA PIANTONE MC SG	
13	31112293		SCREW TE M12X80 UNI 5737	
14	31421100Z		CUP SPRING 25X12,2X1,5 D2093	
15	52156917		WEDGE	
16	31241126		SELFLOCK NUT M12	





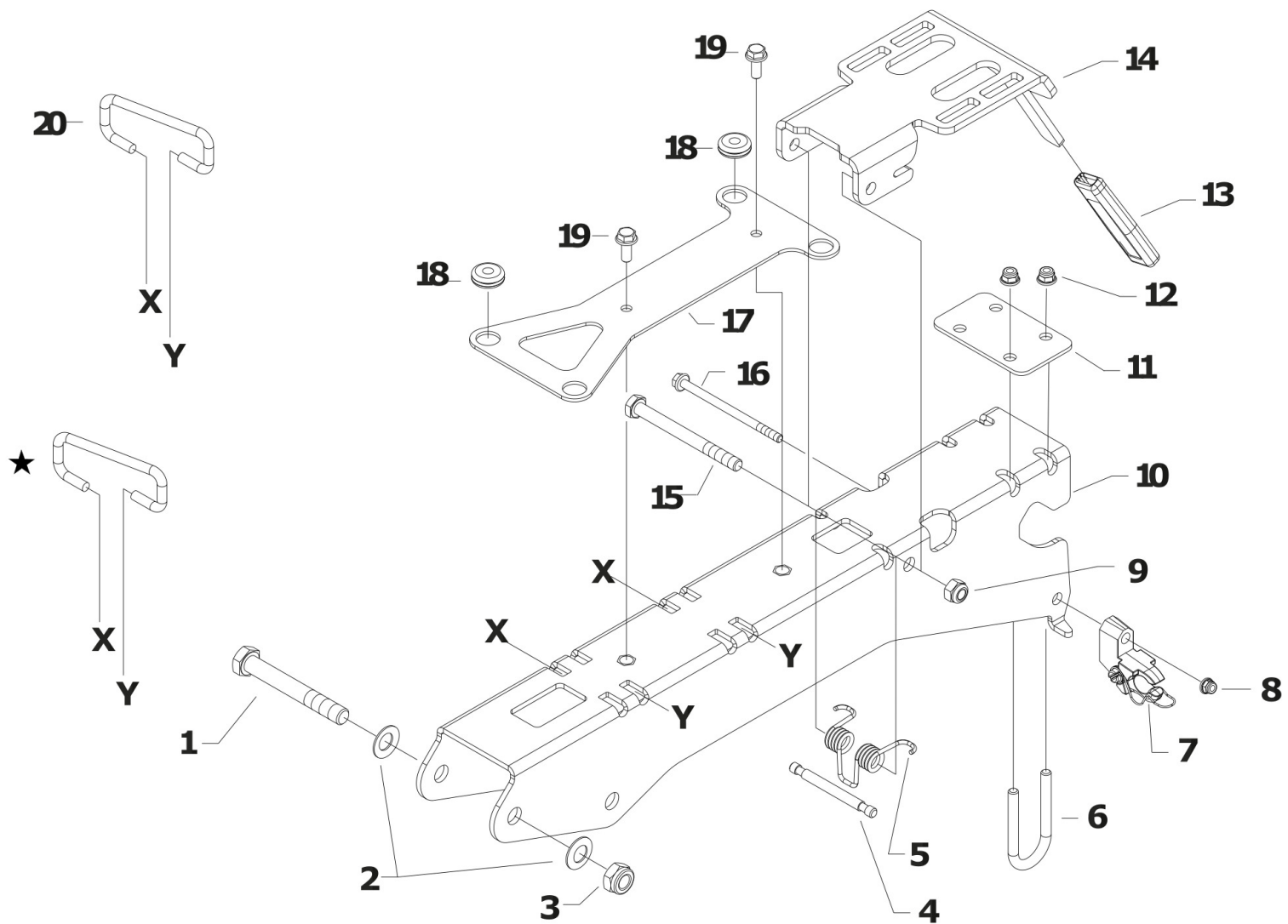


[Click for info](#)

★ = new part

Pos.	Id	Q.ty	Description	Note
1	31112295		SCREW TE M12X90 UNI 5737	
2	31423130		SPRING WASHER EL 13 DIN 137-B	
3	31241121		SELFLOCK NUT M12	
4	561C2259		PERNO MOLLA MANUBRIO SG	
5	58056942N		SPRING	
6	563C2224		CAVALLOTTO MANUBRIO SG	
7	59243337		ROD SUPPORT WITH SPRING	
8	31241083		SELFLOCK NUT M8	
9	31241100		SELFLOCK HEXAGON NUT M10	
10	592C2265		PIANTONE SG CON P.I.	
11	561C2239		CONTRASTO MANUBRIO SG	
12	31241083		SELFLOCK NUT M8	
13	55159364		RED FLAT KNOB	
14	561C2244		LEVA SELETTORE MANUBRIO SG	
15	31111229		SCREW TE M10X110 UNI 5737 8G	
16	31112180		SCREW TE M8X150 UNI 5737 8G	
17	561C2331		SUPPORTO COPRI PIANTONE SG	
18	58056991		CABLE GLAND 90/200/30	
19	31112170		SCREW TE C/F M8X20 DIN 6921	
20	561C2329		ANELLO GUAINE SG	





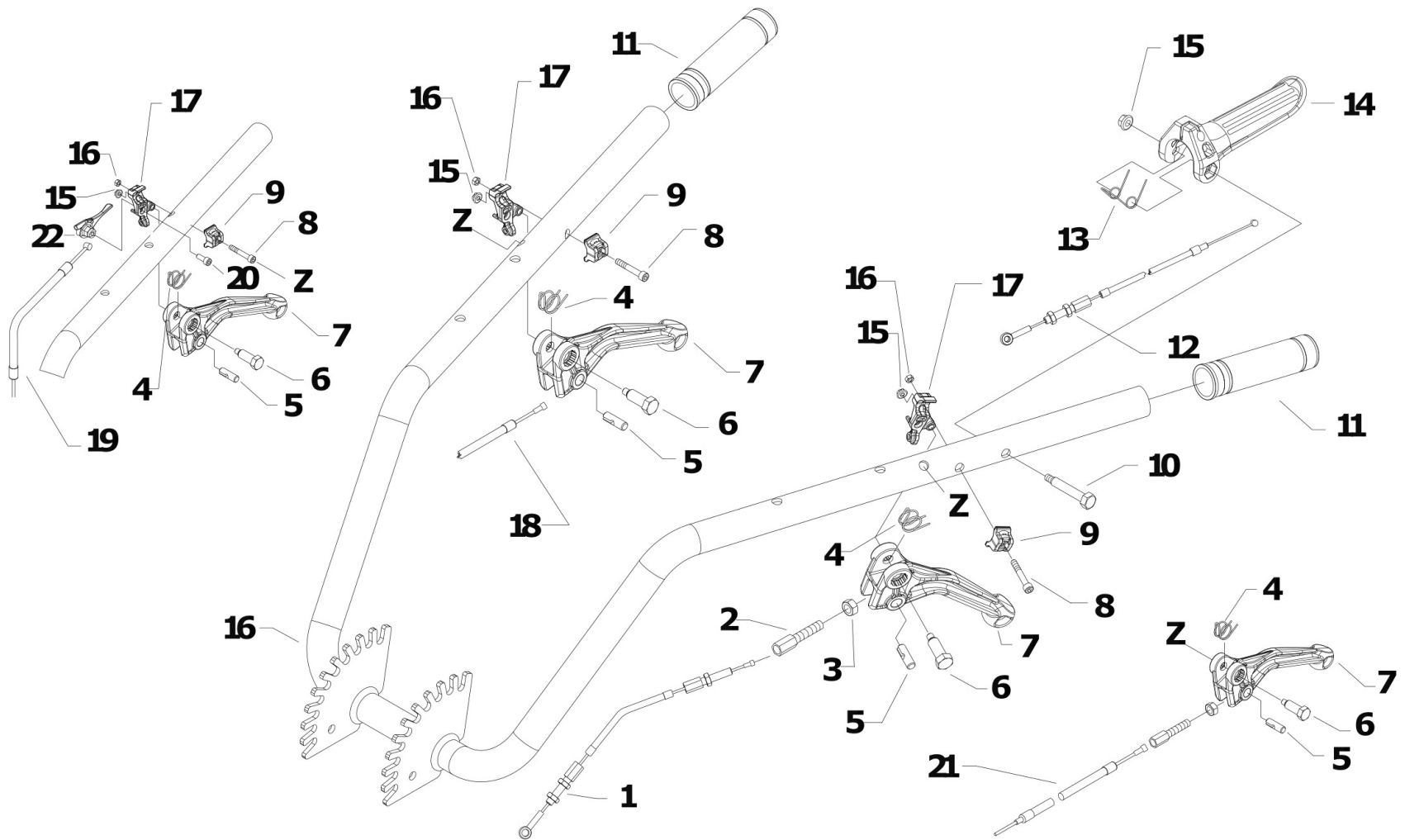
  [Click for info](#)

★ = new part



Pos.	Id	Q.ty	Description	Note
1	31112295		SCREW TE M12X90 UNI 5737	
2	31423130		SPRING WASHER EL 13 DIN 137-B	
3	31241121		SELFLOCK NUT M12	
4	561C2259		PERNO MOLLA MANUBRIO SG	
5	58056942N		SPRING	
6	563C2224		CAVALLOTTO MANUBRIO SG	
7	59243337		ROD SUPPORT WITH SPRING	
8	31241083		SELFLOCK NUT M8	
9	31241100		SELFLOCK HEXAGON NUT M10	
10	592C2265		PIANTONE SG CON P.I.	
11	561C2239		CONTRASTO MANUBRIO SG	
12	31241083		SELFLOCK NUT M8	
13	55159364		RED FLAT KNOB	
14	561C2244		LEVA SELETTORE MANUBRIO SG	
15	31111229		SCREW TE M10X110 UNI 5737 8G	
16	31112180		SCREW TE M8X150 UNI 5737 8G	
17	561C2331		SUPPORTO COPRI PIANTONE SG	
18	58056991		CABLE GLAND 90/200/30	
19	31112170		SCREW TE C/F M8X20 DIN 6921	
20	561C2329		ANELLO GUAINE SG	





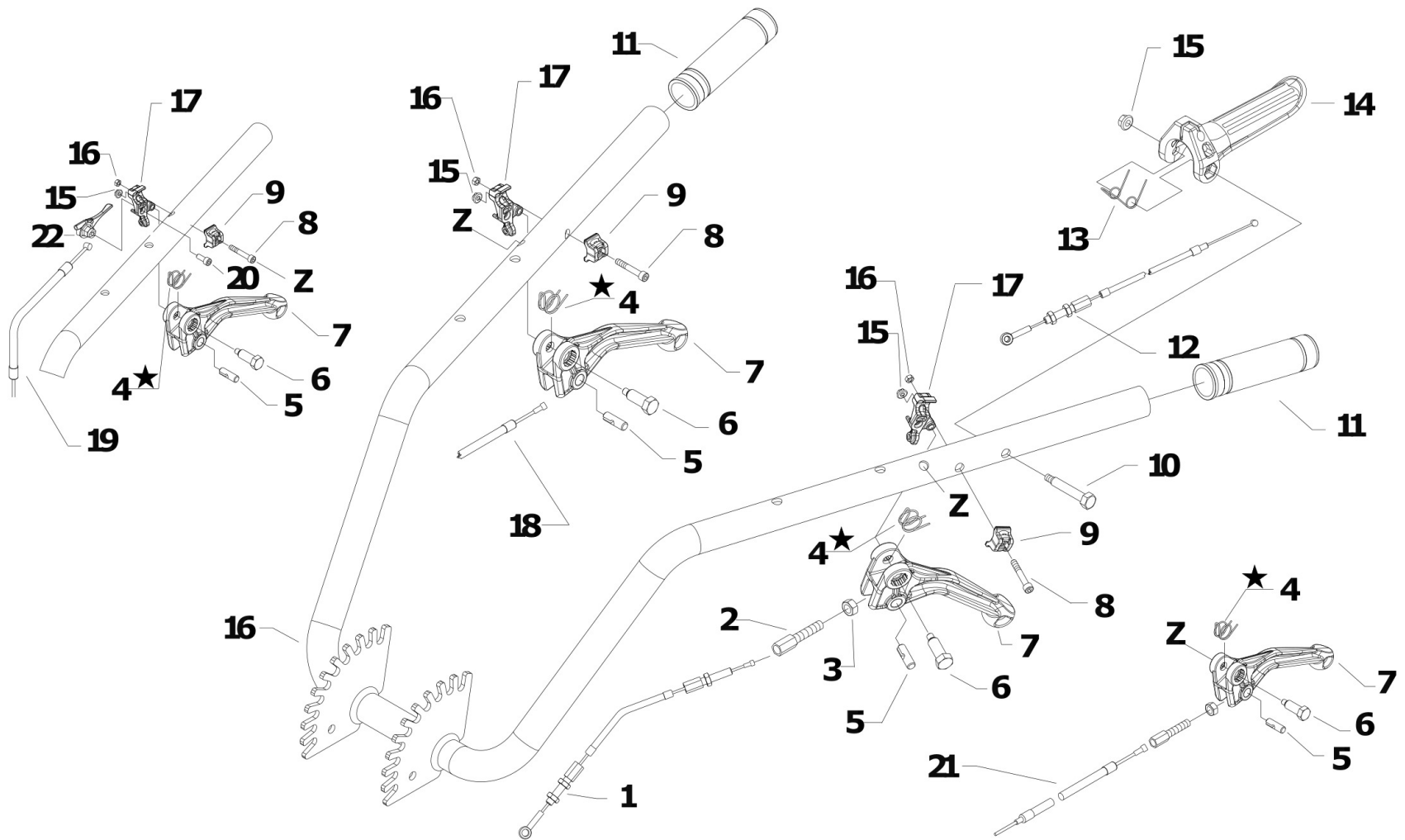
[Click for info](#)

★ = new part



Pos.	Id	Q.ty	Description	Note
1	580C1755		FILO FRIZIONE 779HY CTO L=1560	
2	58056595		ADJUSTING SCREW M8	
3	31211080		NUT M8	
4	580C2218		MOLLA LEVA SG	
5	561C2279		BARILOTTO LEVA SG	
6	563C2278		PERNO LEVA SG	
7	552C2319		LEVA BIKE SG mr	
8	31152087		SCREW TCEI M8X50 UNI 5931	
9	531C2223		MORSETTO LEVA SG	
10	56356184Z		LEVER PIN	
11	580C2458		MANOPOLA ZIGRINATA	
12	580C1711		FILO STOP MC HY C.TO L=1500	
13	58056186Z		SPRING	
14	55256185		LEVER	
15	31241065		SELFLOCK NUT M6	
16	590C2250		MANUBRIO FORATO SG C.TO	
17	531C2222		SUPPORTO LEVA SG mr	
18	58057422		COLUMN UNLOCKING TRANSMISSION	
19	58056811		LINE AND SHEATH L=1850	L100
19	58057355		LINE AND SHEATH (L=2280)	GX390
20	31152081		SCREW TCEI M8X20 UNI 5931	
21	58056897		LINE AND SHEATH L=1550	
22	58002538		ACCELERATOR	





[Click for info](#)

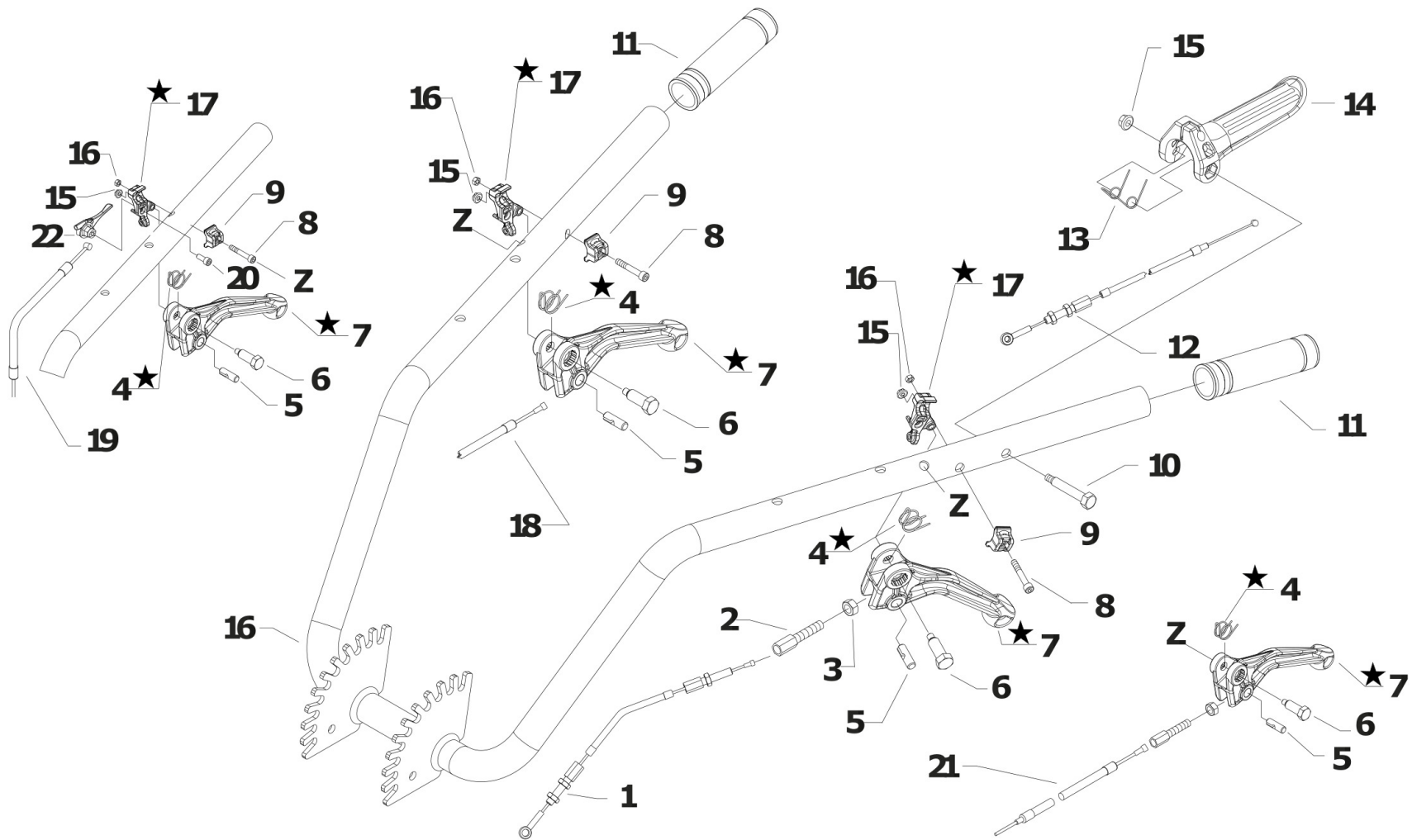
★ = new part



Pos.	Id	Q.ty	Description	Note
1	580C1755		FILO FRIZIONE 779HY CTO L=1560	
2	58056595		ADJUSTING SCREW M8	
3	31211080		NUT M8	
4	580C2366Z		MOLLA LEVA SG 13.5	
5	561C2279		BARILOTTO LEVA SG	
6	563C2278		PERNO LEVA SG	
7	552C2319		LEVA BIKE SG mr	
8	31152087		SCREW TCEI M8X50 UNI 5931	
9	531C2223		MORSETTO LEVA SG	
10	56356184Z		LEVER PIN	
11	580C2458		MANOPOLA ZIGRINATA	
12	580C1711		FILO STOP MC HY C.TO L=1500	
13	58056186Z		SPRING	
14	55256185		LEVER	
15	31241065		SELFLOCK NUT M6	
16	590C2250		MANUBRIO FORATO SG C.TO	
17	531C2222		SUPPORTO LEVA SG mr	
18	58057422		COLUMN UNLOCKING TRANSMISSION	
19	58056811		LINE AND SHEATH L=1850	L100
19	58057355		LINE AND SHEATH (L=2280)	GX390
20	31152081		SCREW TCEI M8X20 UNI 5931	
21	58056897		LINE AND SHEATH L=1550	
22	58002538		ACCELERATOR	







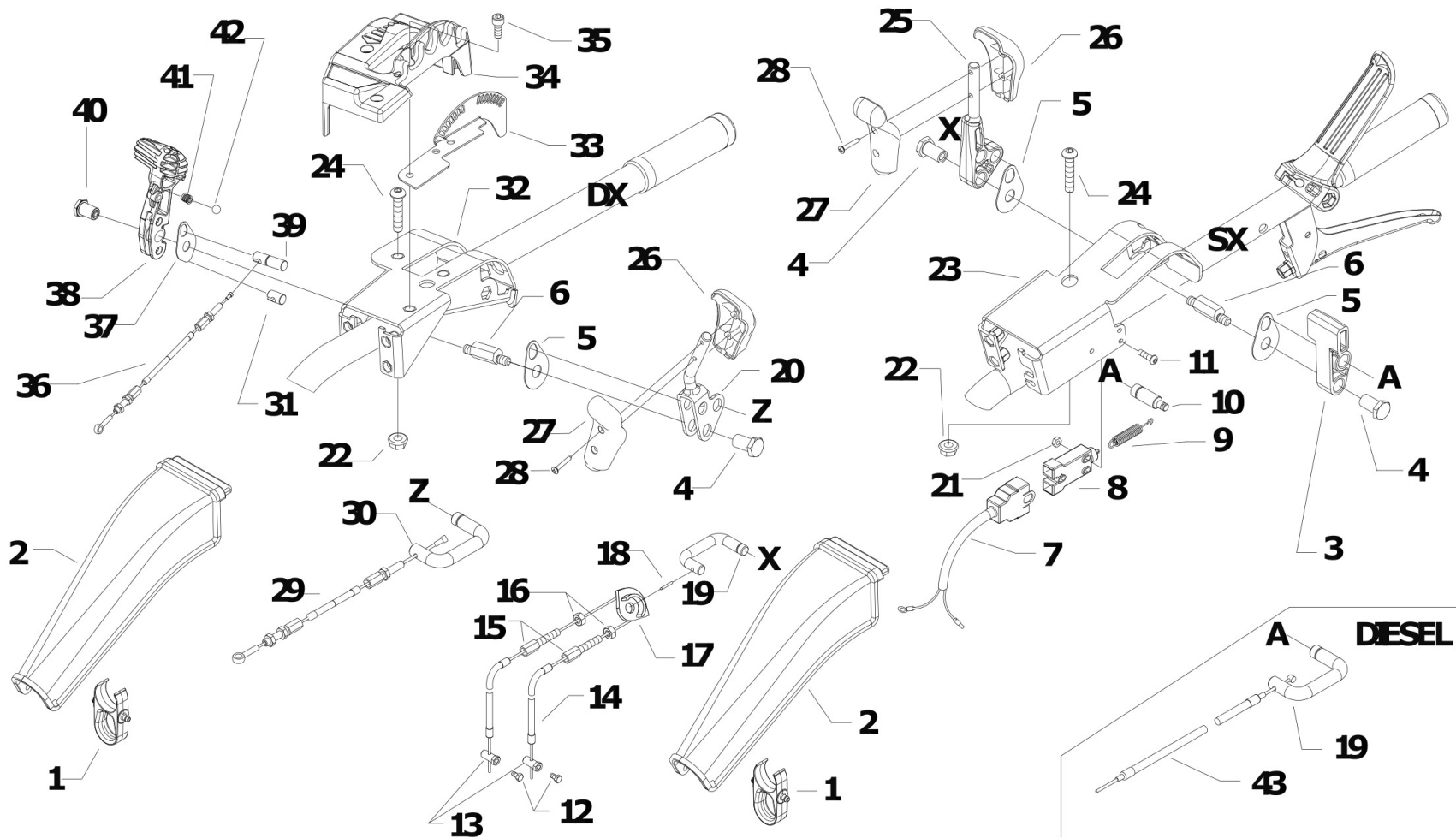
[Click for info](#)

★ = new part



Pos.	Id	Q.ty	Description	Note
1	580C1755		FILO FRIZIONE 779HY CTO L=1560	
2	58056595		ADJUSTING SCREW M8	
3	31211080		NUT M8	
4	580C2779Z		MOLLA LEVA SG 18	REPLACES 580C2366Z
5	561C2279		BARILOTTO LEVA SG	
6	563C2278Z		PERNO LEVA SG	
7	552C2776		LEVA BIKE SG	REPLACES 552C2319
8	31152087		SCREW TCEI M8X50 UNI 5931	
9	531C2223		MORSETTO LEVA SG	
10	56356184Z		LEVER PIN	
11	580C2458		MANOPOLA ZIGRINATA	
12	580C1711		FILO STOP MC HY C.TO L=1500	
13	58056186Z		SPRING	
14	55256185		LEVER	
15	31241065		SELFLOCK NUT M6	
16	590C2250		MANUBRIO FORATO SG C.TO	
17	531C2777		SUPPORTO LEVA SG	REPLACES 531C2222
18	58057422		COLUMN UNLOCKING TRANSMISSION	
19	58056811		LINE AND SHEATH L=1850	L100
19	58057355		LINE AND SHEATH (L=2280)	GX390
20	31152081		SCREW TCEI M8X20 UNI 5931	
21	58056897		LINE AND SHEATH L=1550	
22	58002538		ACCELERATOR	





[Click for info](#)

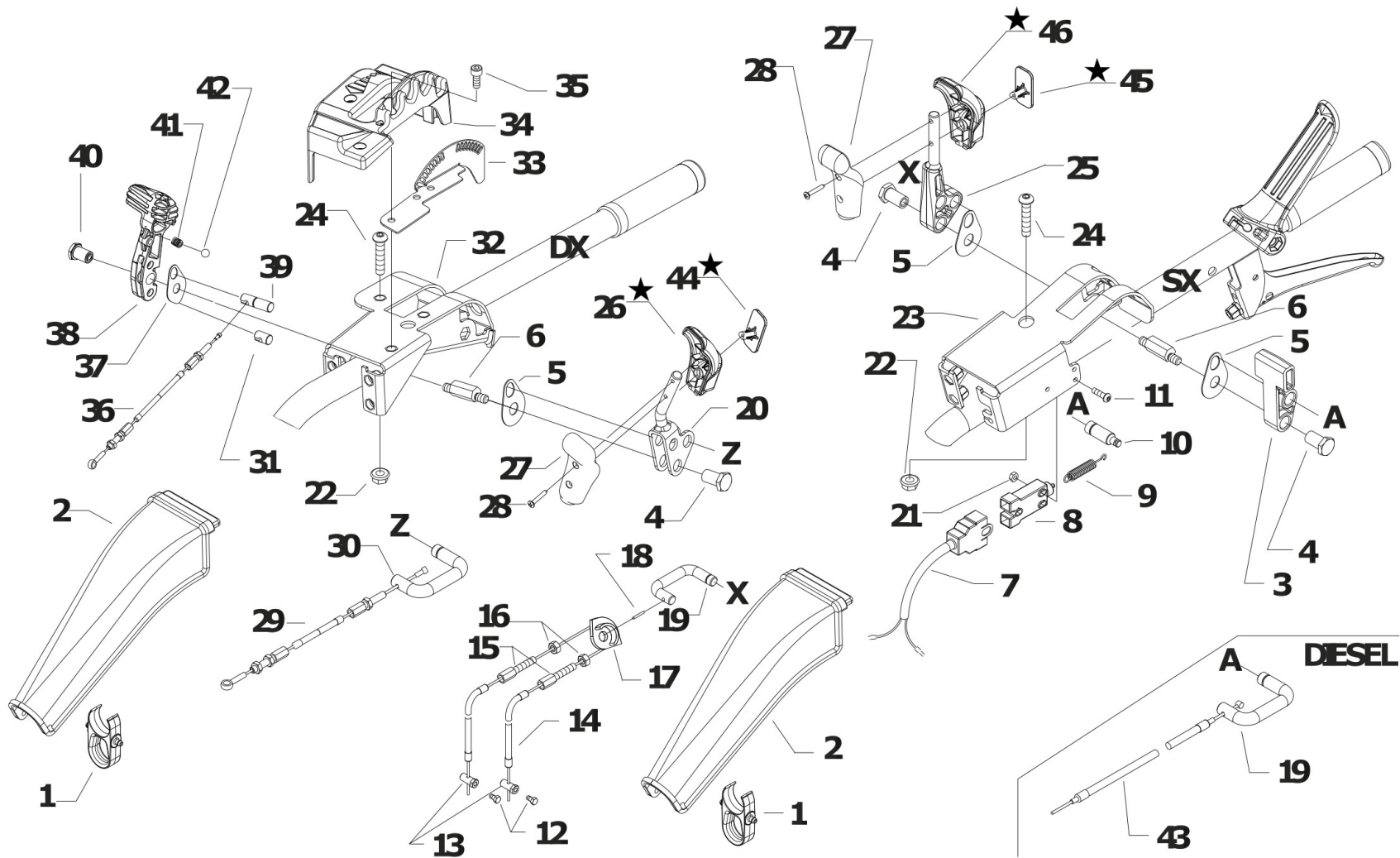
★ = new part

Pos.	Id	Q.ty	Description	Note
1	552C2210		TRAVERSINO SG	
2	55256835		PROTECTION COVER	
3	55256197		MOTOR STOP LEVER	
4	56148287		STUD BOLT	
5	56356833Z		SMALL PLATE	
6	56356858Z		PIN	
7	58056837		WIRING	
8	58048009		ENGINE STOP SWITCH	
9	58047712		SPRING	
10	56156834Z		INDEXING BOLT	
11	31121024		SCREW TBCEI FL.M4X25	
12	31112090		SCREW TE M6X16 UNI 5739 8G	
13	56356840Z		CLAMPING SCREW	
14	580C2327		FILO E GUAINA FRENO ST.L=1400	
15	58056595		ADJUSTING SCREW M8	
16	31211080		NUT M8	
17	55256757		PULLEY	
18	34213020		ROLL PIN	
19	56156832Z		U BOLT	
20	531C2203		LEVA DIFFERENZIALE SG	
21	31241042		SELFLOCK NUT M4 FL.6S	
22	31241084		SELFLOCK NUT M8 6S	
23	59256180		SUPPORT	
24	31121020		SCREW TBCEI M8X40 ISO7380 10K Z	
25	53156860		COMMAND LEVER	
26	55157212		GRIP	
27	55157213		GRIP	
28	31100451		SCREW 3,5X25	
29	580C2344		FILO E GUAINA DIFFERENZ. SG	



Pos.	Id	Q.ty	Description	Note
30	561C2324Z		CAVALLOTTO ESTERNO SG.	
31	561C0216Z		CABLE CLAMP D.12	
32	592C0477		SUPPORT	
33	521C1453Z		SETTORE PER SFERA ZNT	
34	552C0480		MANIPOLATORE EASYGRIP	
35	31152081		SCREW TCEI M8X20 UNI 5931	
36	580C2345		FILO E GUAINA COM. IDRO MC SG	
37	563C0215Z		SMALL PLATE	
38	552C0484		COMMAND LEVER	
39	561C1687		BARILOTTO D.12 HY	
40	561C0476Z		STUD BOLT	
41	58042059		SPRING	
42	37911032		BALL 5/16	
43	58056814		LINE AND SHEATH L=1610	





[Click for info](#)

★ = new part

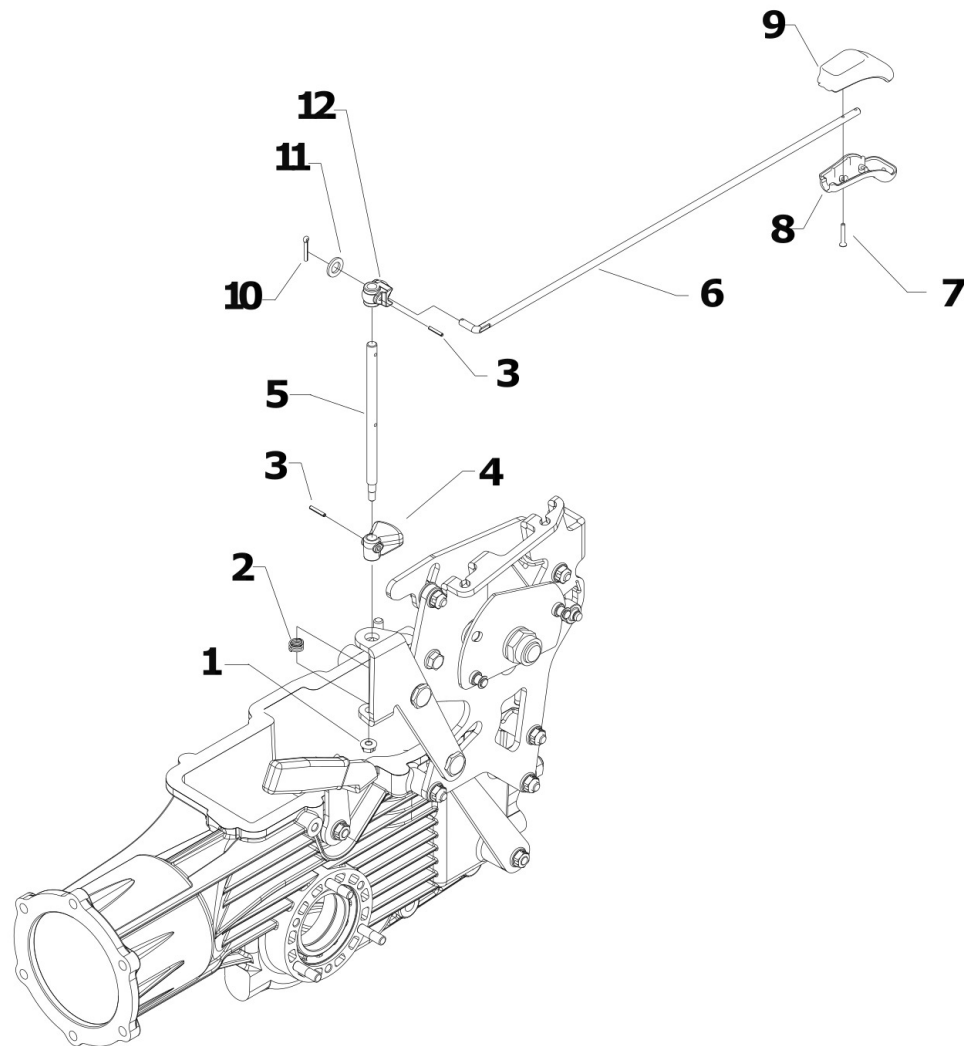
Pos.	Id	Q.ty	Description	Note
1	552C2210		TRAVERSINO SG	
2	55256835		PROTECTION COVER	
3	55256197		MOTOR STOP LEVER	
4	56148287		STUD BOLT	
5	56356833Z		SMALL PLATE	
6	56356858Z		PIN	
7	58056837		WIRING	
8	58048009		ENGINE STOP SWITCH	
9	58047712		SPRING	
10	56156834Z		INDEXING BOLT	
11	31121024		SCREW TBCEI FL.M4X25	
12	31112090		SCREW TE M6X16 UNI 5739 8G	
13	56356840Z		CLAMPING SCREW	
14	58056845		LINE AND SHEATH L=1200	
15	58056595		ADJUSTING SCREW M8	
16	31211080		NUT M8	
17	55256757		PULLEY	
18	34213020		ROLL PIN	
19	56156832Z		U BOLT	
20	531C2203		LEVA DIFFERENZIALE SG	
21	31241042		SELFLOCK NUT M4 FL.6S	
22	31241084		SELFLOCK NUT M8 6S	
23	59256180		SUPPORT	
24	31121020		SCREW TBCEI M8X40 ISO7380 10K Z	
25	53156860		COMMAND LEVER	
26	552C1776		IMPUGNATURA SUP NERA INSERTO	
27	55157213		GRIP	
28	31100451		SCREW 3,5X25	
29	580C2344		FILO E GUAINA DIFFERENZ. SG	



Pos.	Id	Q.ty	Description	Note
30	561C2324Z		CAVALLOTTO ESTERNO SG.	
31	561C0216Z		CABLE CLAMP D.12	
32	592C0477		SUPPORT	
33	521C1453Z		SETTORE PER SFERA ZNT	
34	552C0480		MANIPOLATORE EASYGRIP	
35	31152081		SCREW TCEI M8X20 UNI 5931	
36	580C2326		FILO E GUAINA COM. IDRO MF SG	
37	563C0215Z		SMALL PLATE	
38	552C0484		COMMAND LEVER	
39	561C1687		BARILOTTO D.12 HY	
40	561C0476Z		STUD BOLT	
41	58042059		SPRING	
42	37911032		BALL 5/16	
43	58056814		LINE AND SHEATH L=1610	L100 - KD350
44	552C1777		INSERTO DIFFERENZIALE	
45	552C1776		IMPUGNATURA SUP NERA INSERTO	
46	552C1778		INSERTO FRENO DI STAZIONAMENTO	







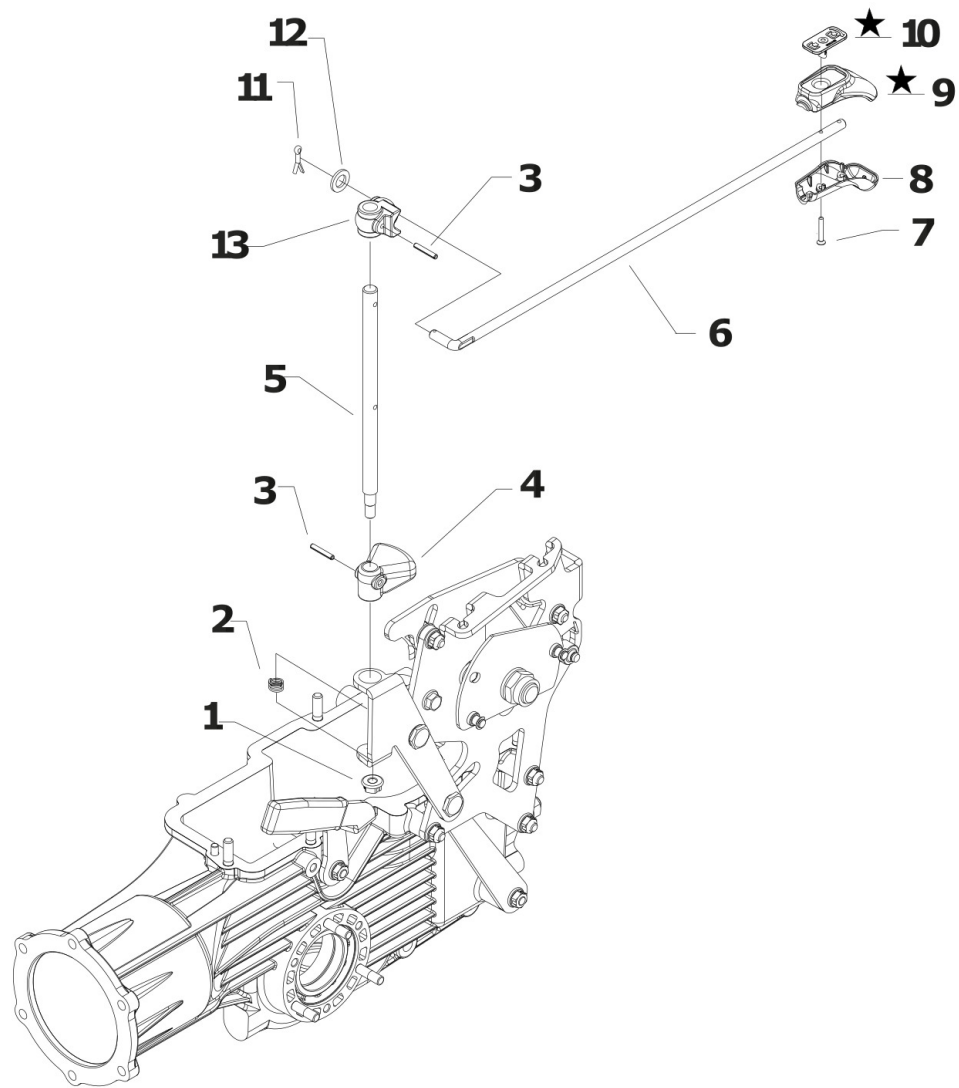
[Click for info](#)

★ = new part



Pos.	Id	Q.ty	Description	Note
1	31241084		SELFLOCK NUT M8 6S	
2	58057232		SPRING	
3	34213024		ROLL PIN	
4	552C2267		CONTRASTO PTO SG	
5	561C2289Z		ASTA LEVA PTO MC SG	
6	561C2343Z		ASTA PDF SG	
7	31100451		SCREW 3,5X25	
8	55157213		GRIP	
9	55157212		GRIP	
10	34110028		SPLIT PIN A3X15 UNI 1336	
11	31411104		WASHER 10,5x18	
12	55248379		PTO JOINT	



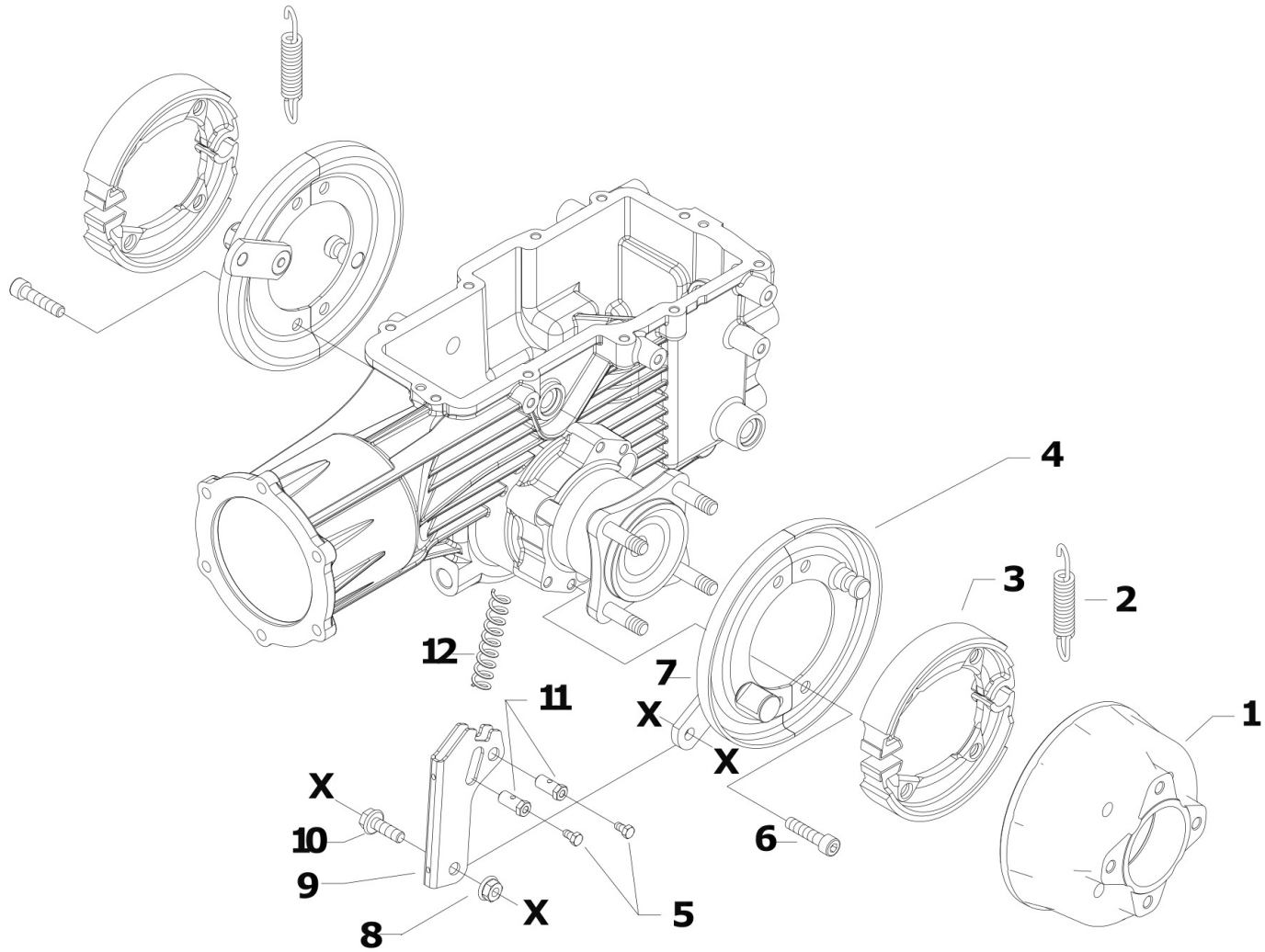


[Click for info](#)

★ = new part

Pos.	Id	Q.ty	Description	Note
1	31241084		SELFLOCK NUT M8 6S	
2	58057232		SPRING	
3	34213024		ROLL PIN	
4	552C2267		CONTRASTO PTO SG	
5	561C2289Z		ASTA LEVA PTO MC SG	
6	561C2343Z		ASTA PDF SG	
7	31100451		SCREW 3,5X25	
8	55157213		GRIP	
9	552C1776		IMPUGNATURA SUP NERA INSERTO	
10	552C1780		INSERTO PTO MF	
11	34110028		SPLIT PIN A3X15 UNI 1336	
12	31411104		WASHER 10,5x18	





[Click for info](#)

★ = new part

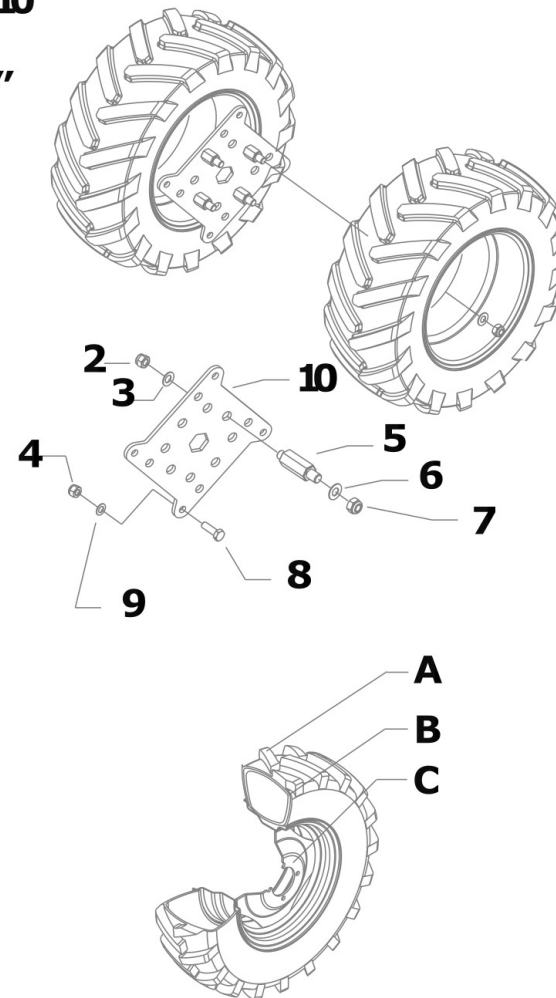
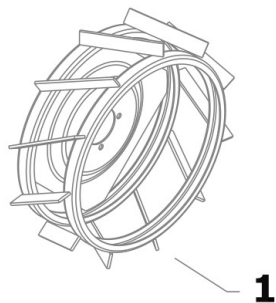
Pos.	Id	Q.ty	Description	Note
1	513C1665		BRAKE DRUM	
2	58048215		SPRING	
3	58048214		BRAKE BLOCK	
4	59048208N		HALF DISC	
5	31112090		SCREW TE M6X16 UNI 5739 8G	
6	31152085		SCREW TCEI M8X25 UNI 5931	
7	59048200N		HALF DISC	
8	31241084		SELFLOCK NUT M8 6S	
9	56156831Z		FORK	
10	31112166		SCREW TE C/F M8X25 DIN 6921 8G	
11	56356840		CLAMPING SCREW	
12	58056918Z		SPRING	



	A	B	C
50-10"	39115010	39415010	58048330
65x80-12"	39116018	39416018	58044804

**KIT GEMELLAGGIO PER 5.0-10"**  
**TWINNING KIT FOR 5.0-10"**  
**JUMELAGE KIT POUR 5.0-10"**  
**KIT GEMELOS POR 5.0-10"**  
**ZWILLINGS KIT 5.0-10"**  
**(92257794)**

**50-10"**  
**(92242747)**



 [Click for info](#)

★ = new part



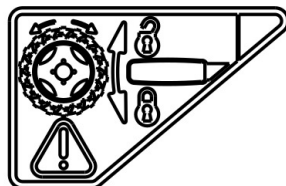
Pos.	Id	Q.ty	Description	Note
1	58042072N		RUOTA A GABBIA	
1	58042073N		RUOTA A GABBIA	
2	31241120		SELFLOCK NUT M12	
3	31423130		SPRING WASHER EL 13 DIN 137-B	
4	31241080		HEXAGON SELFLOCK NUT M8	
5	56359554		PIN	
6	56359554		PIN	
7	31241100		SELFLOCK HEXAGON NUT M10	
8	31112151		SCREW TE M8X25 UNI 5739 8G	
9	31423084		SPRING WASHER 8,4	
10	59059551		FLANGE	







1



2



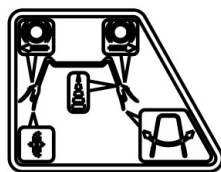
3



4



5



6



7



8



9



10

780HY

14

PowerSafe

15



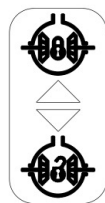
17



11



12



13

STARGATE

16



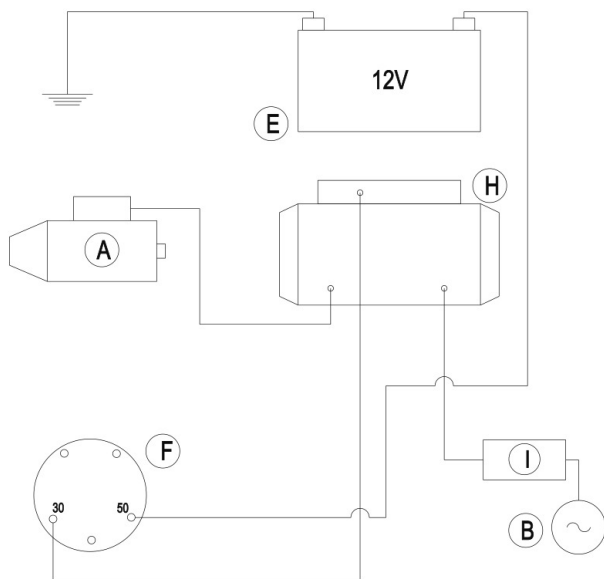
[Click for info](#)

★ = new part



Pos.	Id	Q.ty	Description	Note
1	58056866		DECAL	
2	580C2336		ADESIVA INSERIM. FOLLE	
3	580C1709		ADESIVA SICUREZZA PTO	
4	53048656		OVAL LOGO	
5	58057724		DECAL	
6	580C2288		ADESIVA COMANDI SG	
7	580C2457		ADESIVA REGOLAZIONE STEGOLE SG	
8	58057747		DECAL	
9	530C2556		ADESIVA MADE IN ITALY TTT	
10	58057768		DECAL	
11	58056869		DECAL	
12	58057774		DECAL	
13	58057625		DECAL	
14	580C2346		ADESIVA 780 HY	
15	53057666		POWERSAFE BRAND	
16	580C2555		ADESIVA STARGATE	
17	58057767		DECAL	

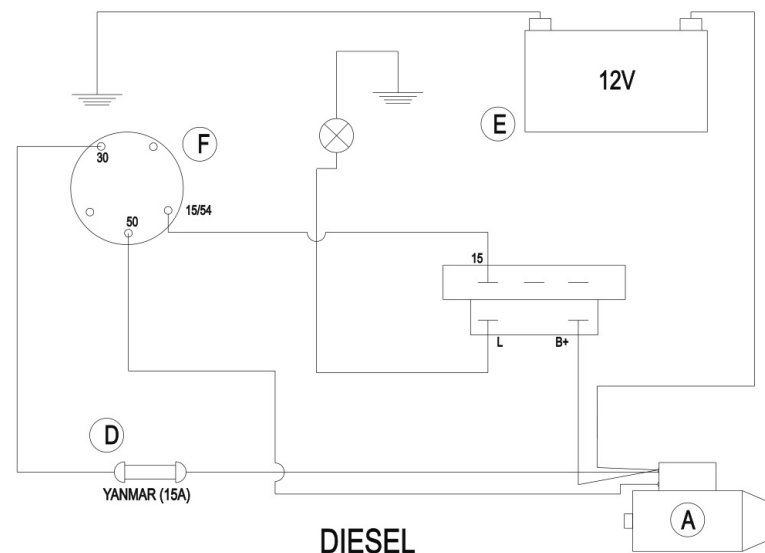




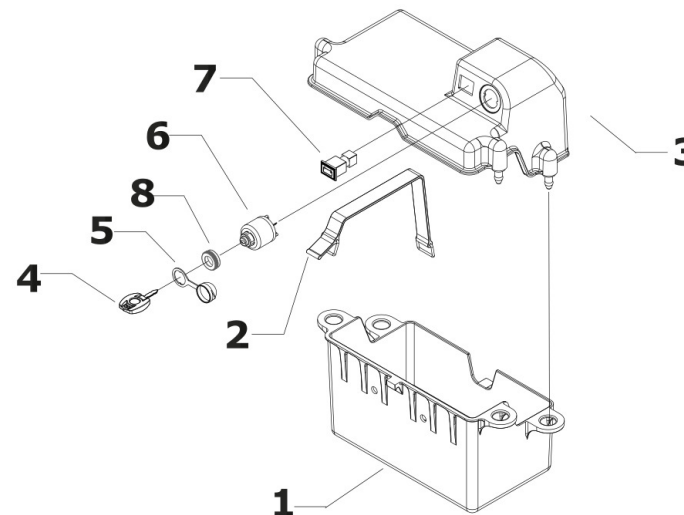
### HONDA

A	B	C	D
MOTORINO D'AVVIAMENTO	GENERATORE	REGOLATORE	FUSIBILI
STARTER	GENERATOR	REGULATOR	FUSES
DE'MARREUR	GENERATEUR	REGULATEUR	FUSIBLES
MOT. DEARRANQUE	GENERADOR	REGULADOR	FUSIBLES
ANLASSMOTOR	GENERATOR	REGLER	SCHMELZSICHERUNGEN

E	F	G	H	I
BATTERIA	INTERRUTTORE	SPIA CARICA BATTERIA	SOLENOIDE	DIODO
BATTERY	SWITCH	BATTERY LONG WARN. LIGHT	SOLENOID	DIODE
BATTERIE	INTERRUPTEUR	TEMOIN CHARG. BATTERIE	SOLENOIDE	DIODE
BATERIA	INTERRUPTOR	LUZ CARGA BATERIA	SOLENOIDE	DIODO
BATTERIE	SCHALTER	BATTERIE LADUNGKTRL. LAMPE	SOLENOID	DIODE



### DIESEL



[Click for info](#)

★ = new part

Pos.	Id	Q.ty	Description	Note
1	552C2463		PORTA BATTERIA SG	
2	580C2456		CINGHIA BATTERIA SG	
3	552C2465		COPERCHIO AE BENZINA SG	
3	592C2466		COPERCHIO AE DIESEL SG C.TO	
4	580A2134		IGNITION KEY	
5	58045807		LOCK COVER	
6	30000277		SWITCH	
7	58045804		WARNING LIGHT	
8	F0825500210		RING NUT	
11	58192748		NON-RETURN VALVE	

