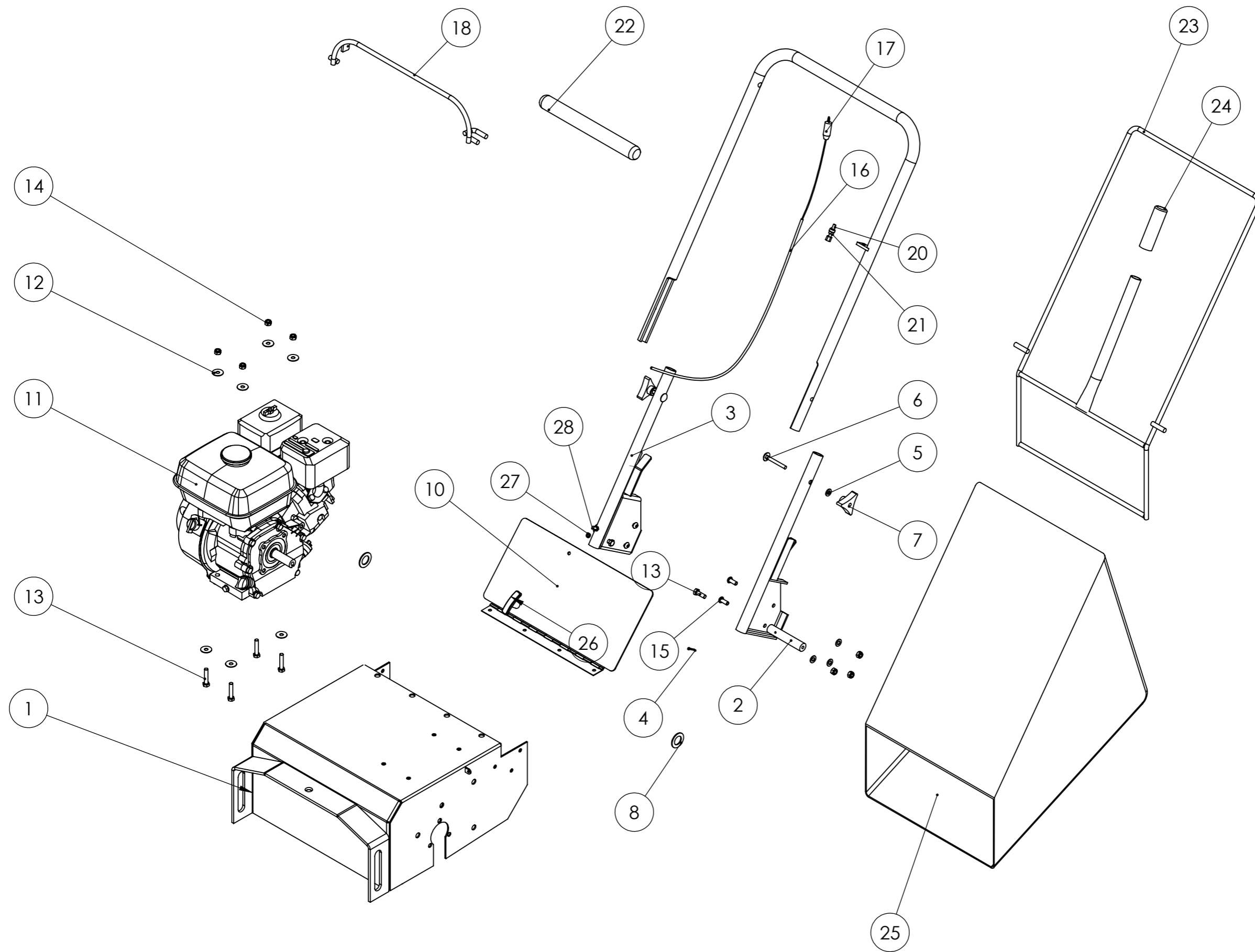


Tracmaster Ltd
Tel: +44 (0) 1444 247689
www.tracmaster.co.uk

Parts Diagram
CAMON LS42 Scarifier

VALID FROM	Aug 2010
SERIAL NUMBER	from 60000
REVISION	A



Tracmaster Ltd
 Tel: +44 (0) 1444 247689
 www.tracmaster.co.uk

Parts Diagram

CAMON LS42 Scarifier

VALID FROM

SERIAL NUMBER

REVISION

A

ITEM NO.	PART NUMBER	DESCRIPTION	
1	60102	Chassis	1
2	60104	LH Lower handle bar	1
3	60103	RH Lower handle bar	1
4	452825	Split pin	2
5	31411084	Washer	8
6	12819201	Coach Bolt	2
7	22399900	Knob	2
8	45282	Washer	2
9	31241120	Nyloc	1
10	60042	Ejection flap complete	1
11	GX160QX4	Engine	1
12	60065	Penny washer	8
13	31111151	Hex Bolt	6
14	5100214	Nyloc	10
15	480125	Button head	4
16	60040	Throttle cable	1
17	22450800	Throttle spring	1
18	60094	Operating lever	1
19	60093	Top Handle bar	1
20	58147704	Adjuster	1
21	31211060	Nut	1
22	60096	Rubber Sleeve	1
23	60092	Bag frame	1
24	58048000	Grip	1
25	60049	Collector Bag	1
26	60055	Knob	1
27	60079	Split washer	1
28	31112082	Bolt	1

Tracmaster Ltd
Tel: +44 (0) 1444 247689
www.tracmaster.co.uk

Parts Diagram

CAMON LS42 Scarifier

Main Chassis Table

VALID FROM

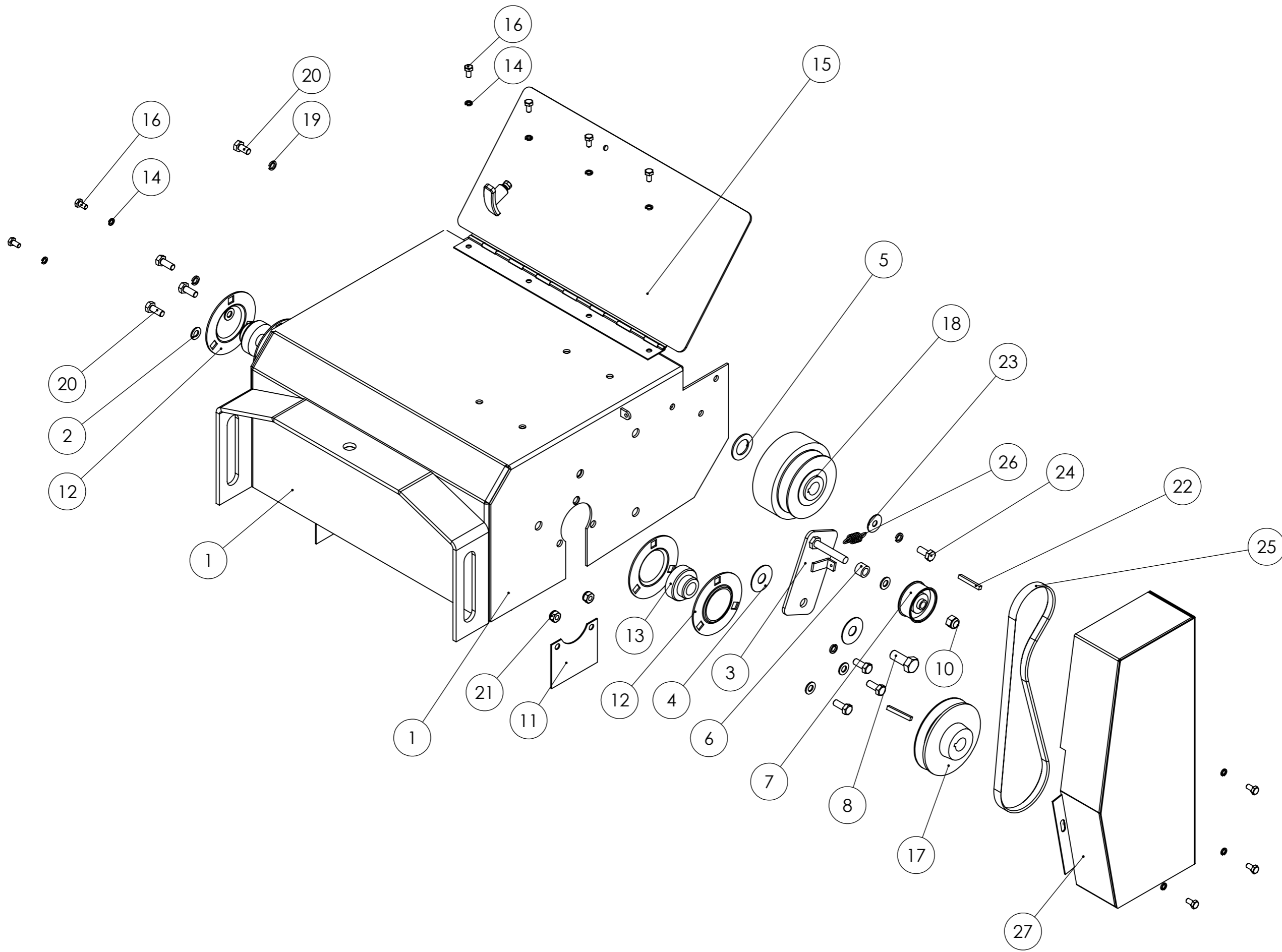
Aug 2010

SERIAL NUMBER

from 60000

REVISION

A



Tracmaster Ltd
 Tel: +44 (0) 1444 247689
 www.tracmaster.co.uk

Parts Diagram
CAMON LS42 Scarifier

Drive System

VALID FROM	Aug 2010
SERIAL NUMBER	from 60000
REVISION	A

ITEM NO.	PART NUMBER	DESCRIPTION	
1	60102	Chassis	1
2	31411084	Washer	5
3	60025	Jockey Plate	1
4	60029	Penny washer	2
5	45282	Washer	1
6	60026	Spacer	1
7	60028	Jockey wheel	1
8	31113215	Hex bolt	1
9	31241120	Nyloc	1
10	60032	Nyloc nut	1
11	60077	Cover Plate	2
12	60062	Bearing carrier	4
13	60011	Bearing	2
14	60079	split washer	9
15	60042	Ejection flap complete	1
16	31112082	Bolt	9
17	60043	Pulley	1
18	60064	Centrifugal Clutch	1
19	60075	Split washer	5
20	31111151	Hex Bolt	9
21	5100214	Nyloc	4
22	56356165	Key	2
23	60065	Penny washer	2
24	31100003	Hex Bolt	1
25	60068	Belt (LS42)	1
26	60069	Jockey spring	1
27	60035	Belt Guard	1
28	60055	Knob	1
29	60079	Split washer	1
30	31112082	Bolt	1

Tracmaster Ltd
Tel: +44 (0) 1444 247689
www.tracmaster.co.uk

Parts Diagram

CAMON LS42 Scarifier

Drive System Table

VALID FROM

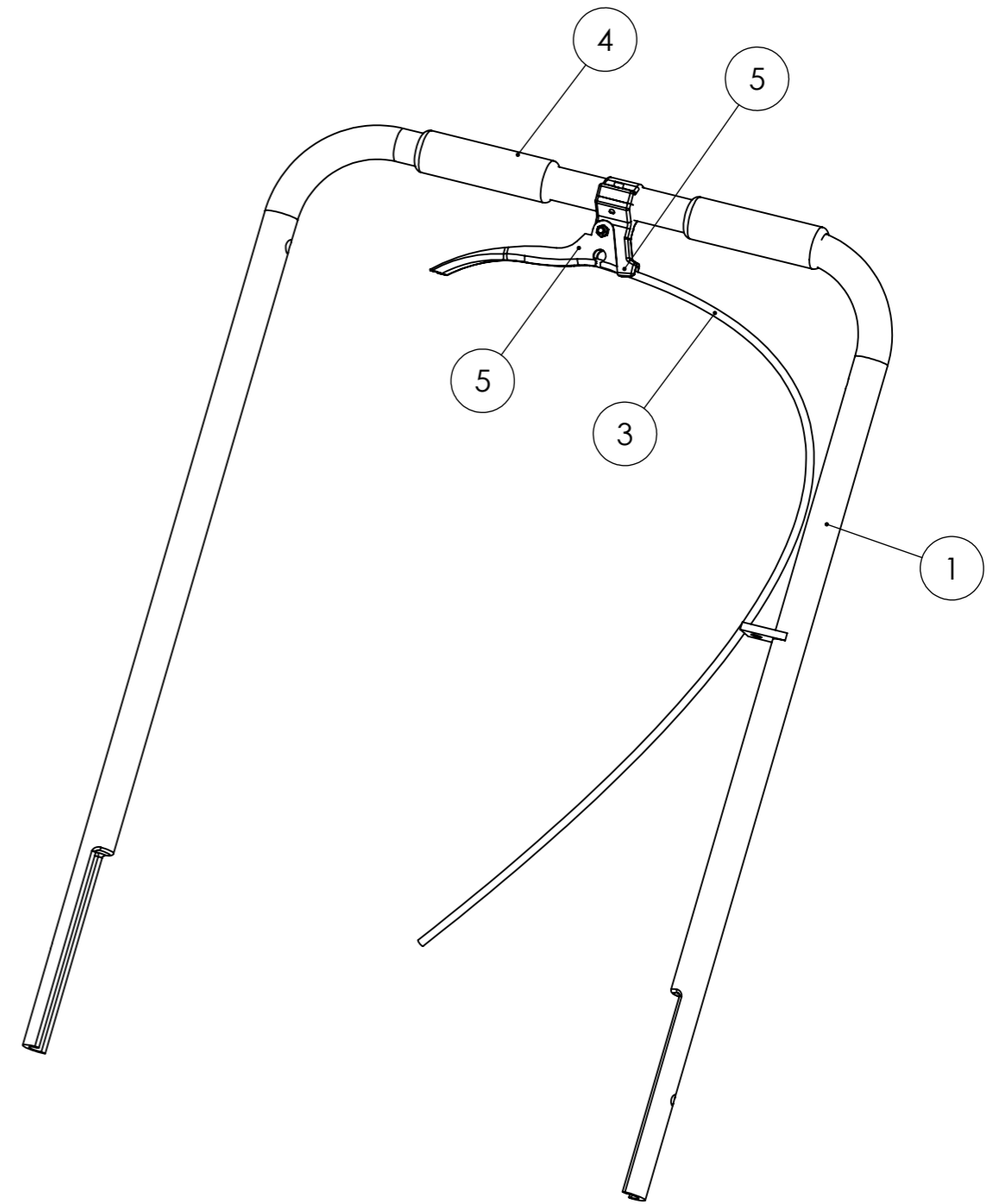
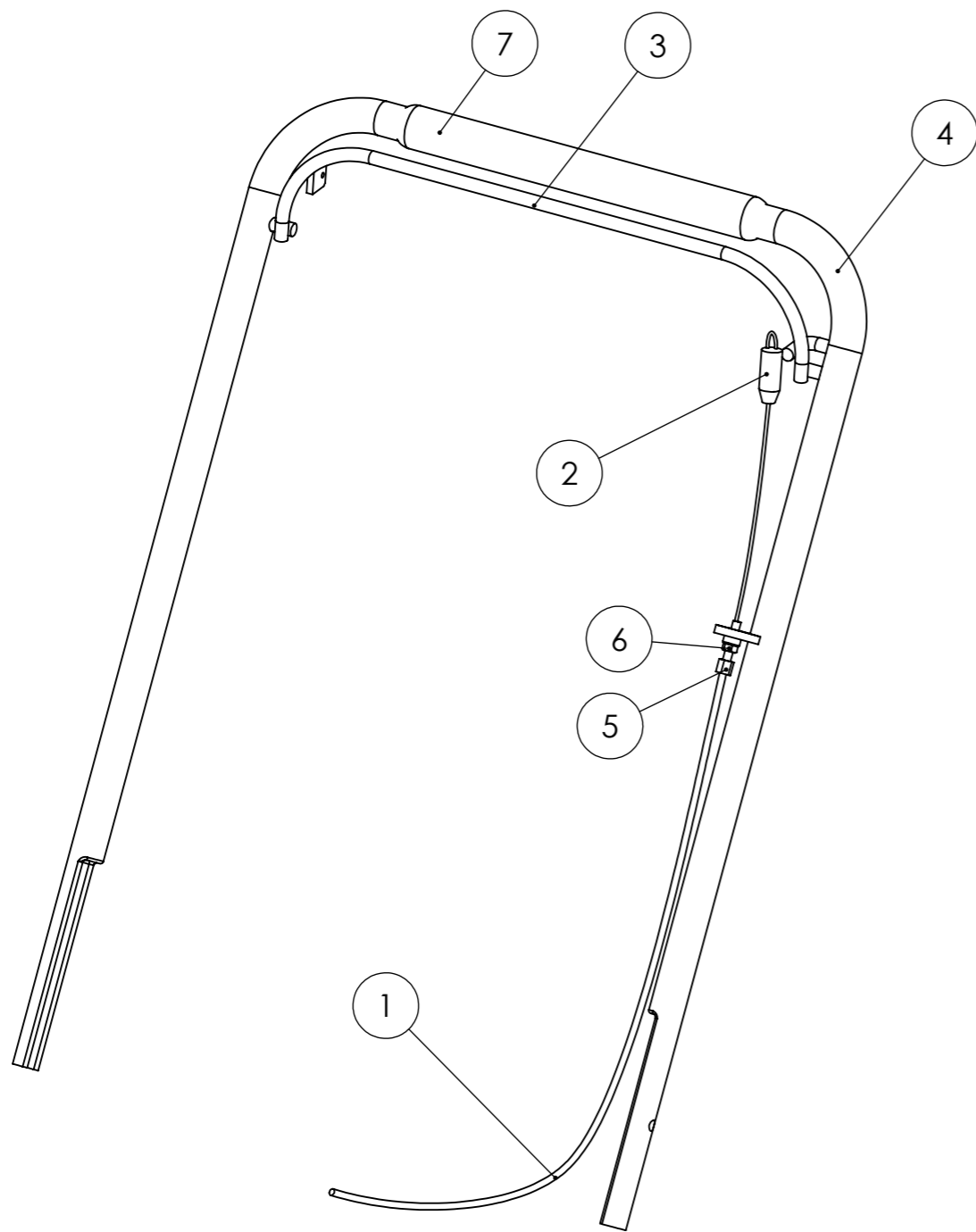
Aug 2010

SERIAL NUMBER

from 60000

REVISION

A



ITEM NO.	PART NUMBER	DESCRIPTION	QTY.
1	60040	Throttle cable	1
2	22450800	Throttle spring	1
3	60094	Operating lever	1
4	60093	Top Handle bar	1
5	58147704	Adjuster	1
6	31211060	Nut	1
7	60096	Rubber Sleeve	1

ITEM NO.	PartNo	DESCRIPTION	QTY.
1	60093	Top Handle bar	1
5	12998-1	Control Lever	1
3	60001-2	Cable	1
4	61111	Open Grip	2
5	60001	Lever & Cable Assembly	1

Tracmaster Ltd
 Tel: +44 (0) 1444 247689
 www.tracmaster.co.uk

Parts Diagram

CAMON LS42 Scarifier

Levers & Cables

VALID FROM

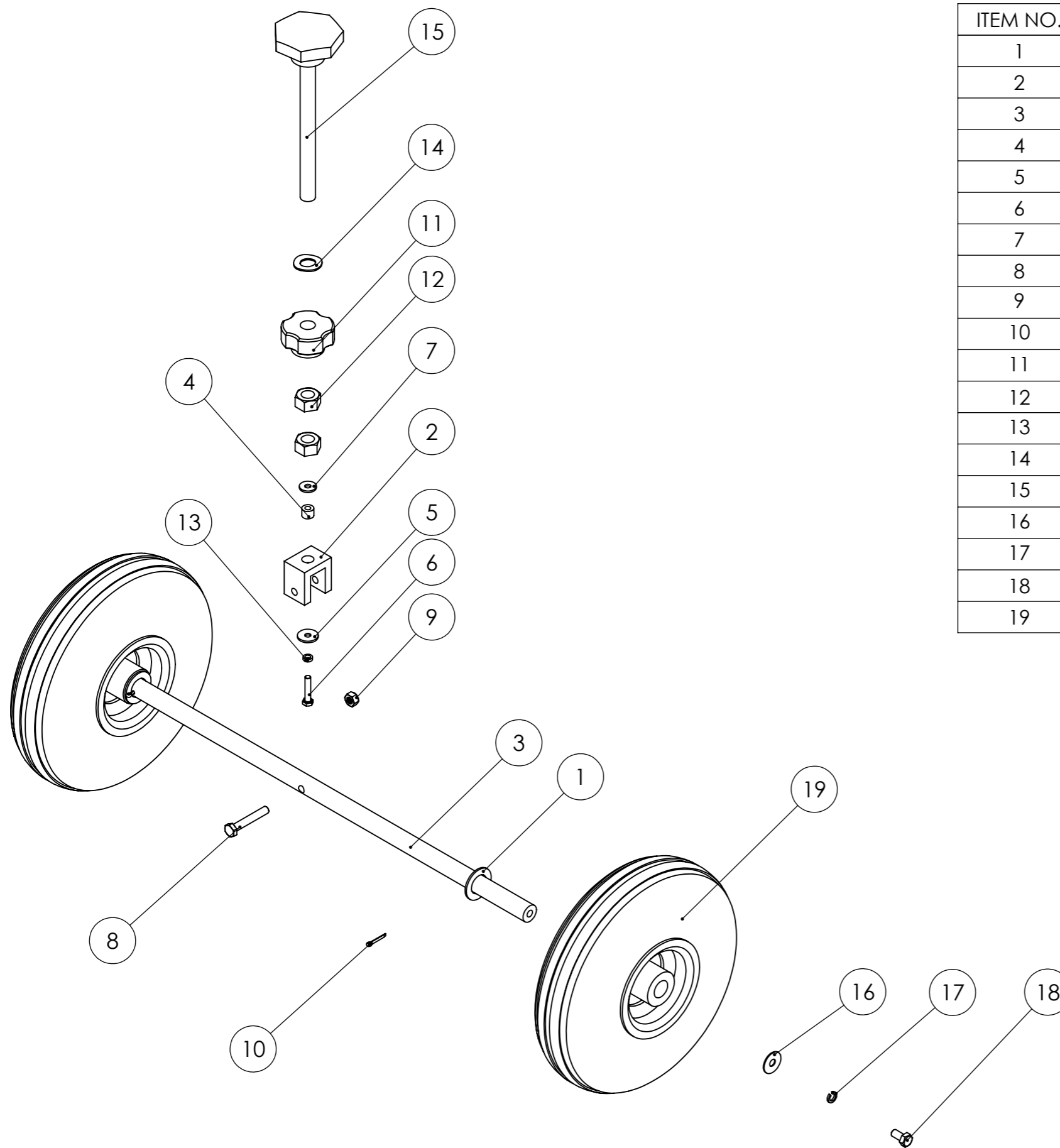
Aug 2010

SERIAL NUMBER

from 60000

REVISION

A



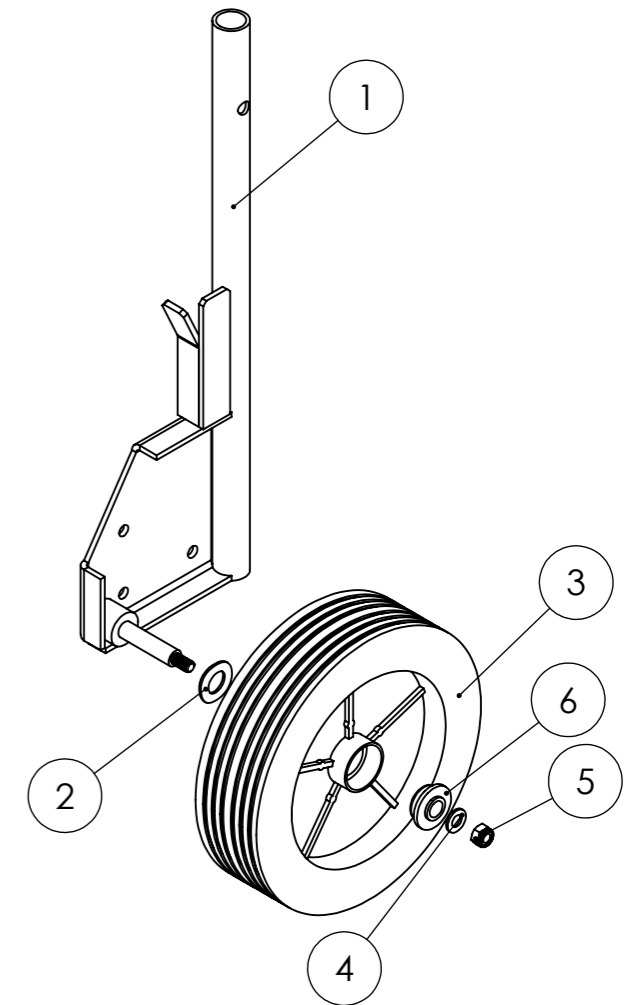
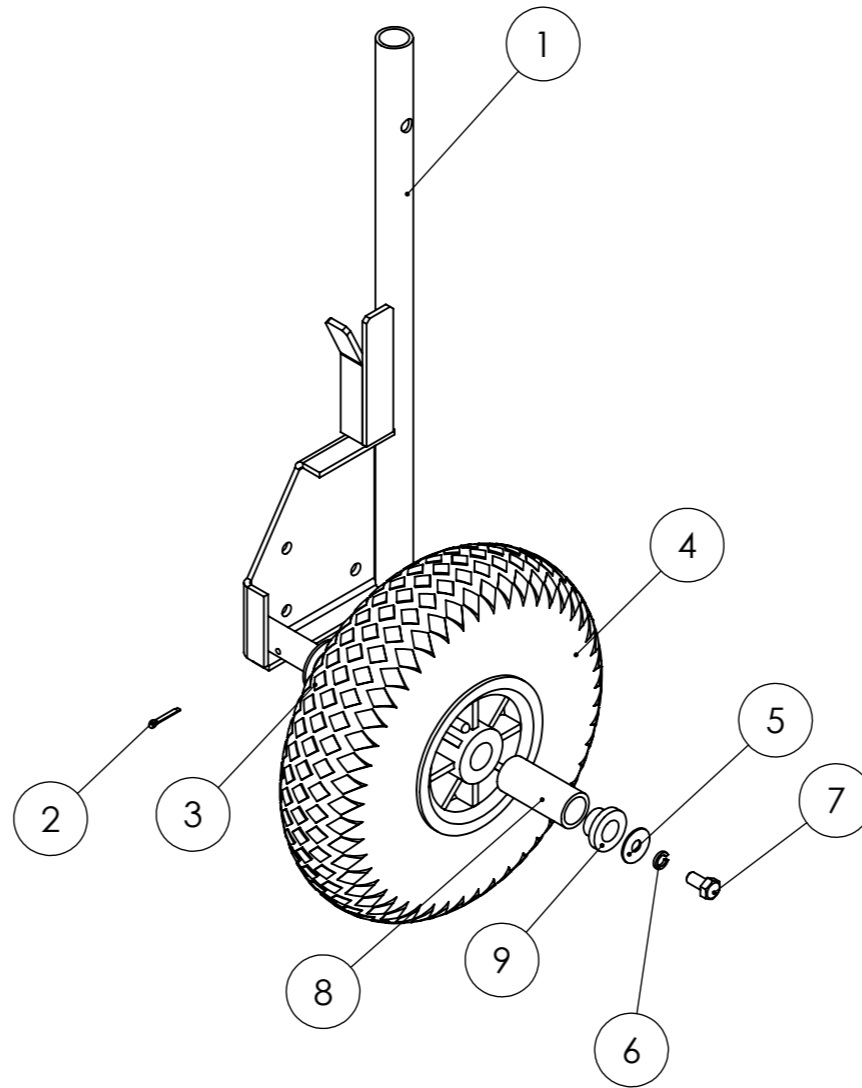
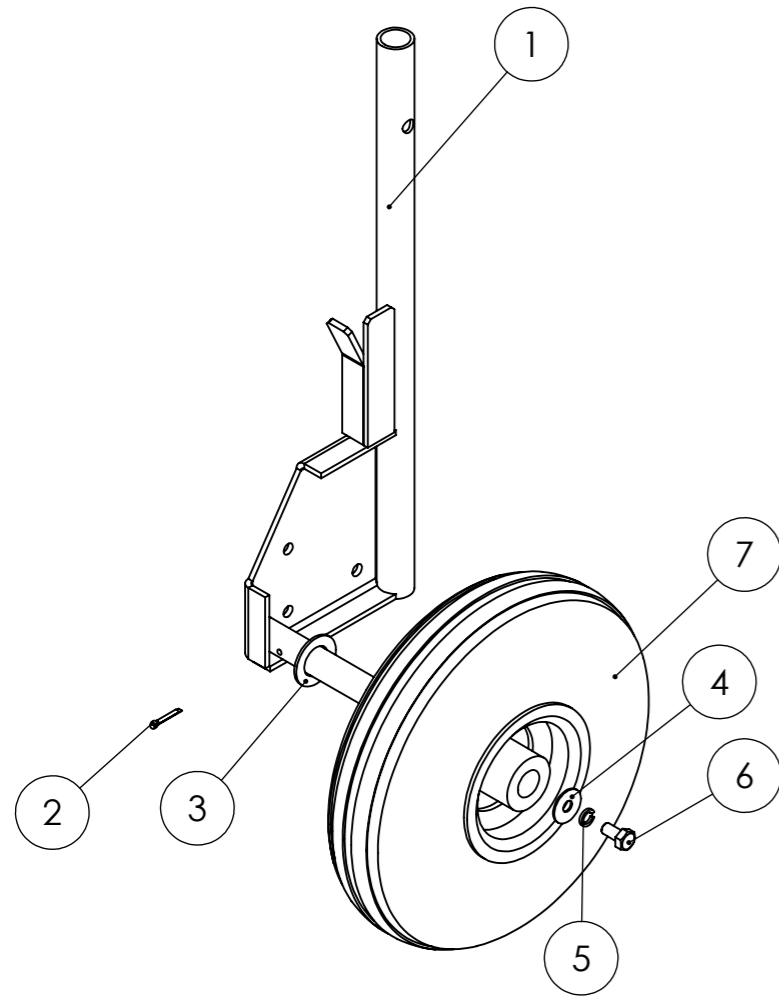
ITEM NO.	PartNo	DESCRIPTION	QTY.
1	45282	Washer	2
2	60005	Clevis	1
3	60105	Front axle	1
4	60004	Swivel bush	1
5	60027	Washer	1
6	31112089	Bolt	1
7	60027	Washer	1
8	31112157	Bolt	1
9	31241080	Nyloc T-type	1
10	45285	Split pin	2
11	60023	Locking knob	1
12	31231160	Nut	2
13	60079	Split washer	1
14	31423170	Wavy Washer	1
15	60020	Adjuster Handle	1
16	60065	Penny washer	2
17	60075	Split washer	2
18	31111151	Hex Bolt	2
19	60106S	Solid Rubber Wheel	2

Tracmaster Ltd
 Tel: +44 (0) 1444 247689
 www.tracmaster.co.uk

Parts Diagram
CAMON LS42 Scarifier

Front Axle Assembly

VALID FROM	Aug 2010
SERIAL NUMBER	from 60000
REVISION	A



ITEM NO.	PartNo	DESCRIPTION	QTY.
1	60103	RH Lower handle bar	1
2	40016	Split pin	1
3	45282	Washer	1
4	60065	Penny washer	1
5	60075	Split washer	1
6	31111151	Hex Bolt	1
7	60106S	Solid Rubber Wheel	1

ITEM NO.	PartNo	DESCRIPTION	QTY.
1	60103	RH Lower handle bar	1
2	40016	Split pin	1
3	45282	Washer	1
4	60106	Solid Rubber Wheel	1
5	60065	Penny washer	1
6	60075	Split washer	1
7	31111151	Hex Bolt	1
8	60106BRNG	Roller Bearing	1
9	60106RET	Bearing Retainer	1

ITEM NO.	PartNo	DESCRIPTION	QTY.
1	60090	Right Hand Axle	1
2	31423170	Wavy Washer	1
3	81007313	Solid Wheel	1
4	31411084	Washer	1
5	31241100	Nyloc	1
6	22122200	Bearing	2

Tracmaster Ltd
 Tel: +44 (0) 1444 247689
 www.tracmaster.co.uk

Parts Diagram

CAMON LS42 Scarifier

Rear Axle Assemblies

VALID FROM

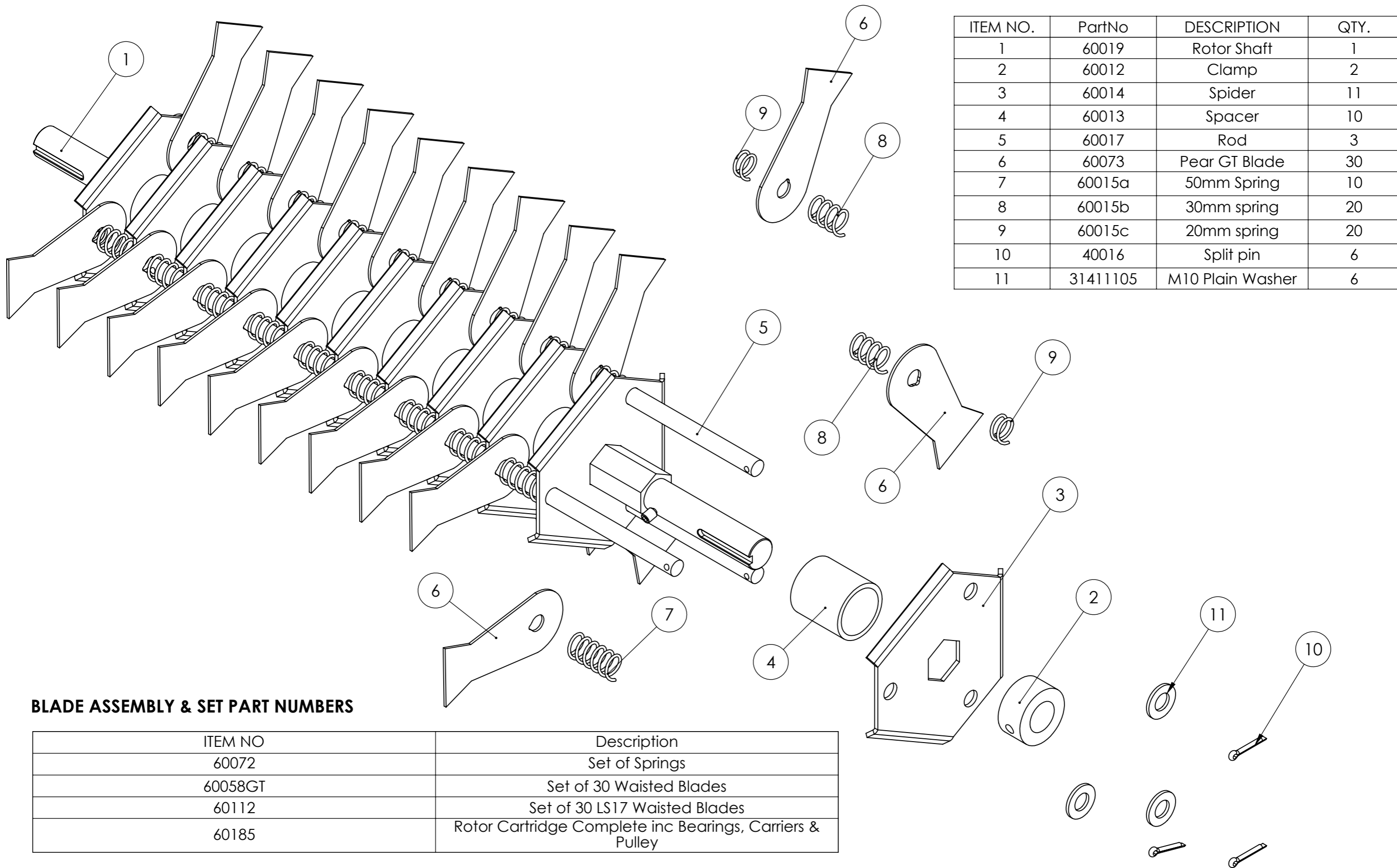
Aug 2010

SERIAL NUMBER

from 60000

REVISION

A



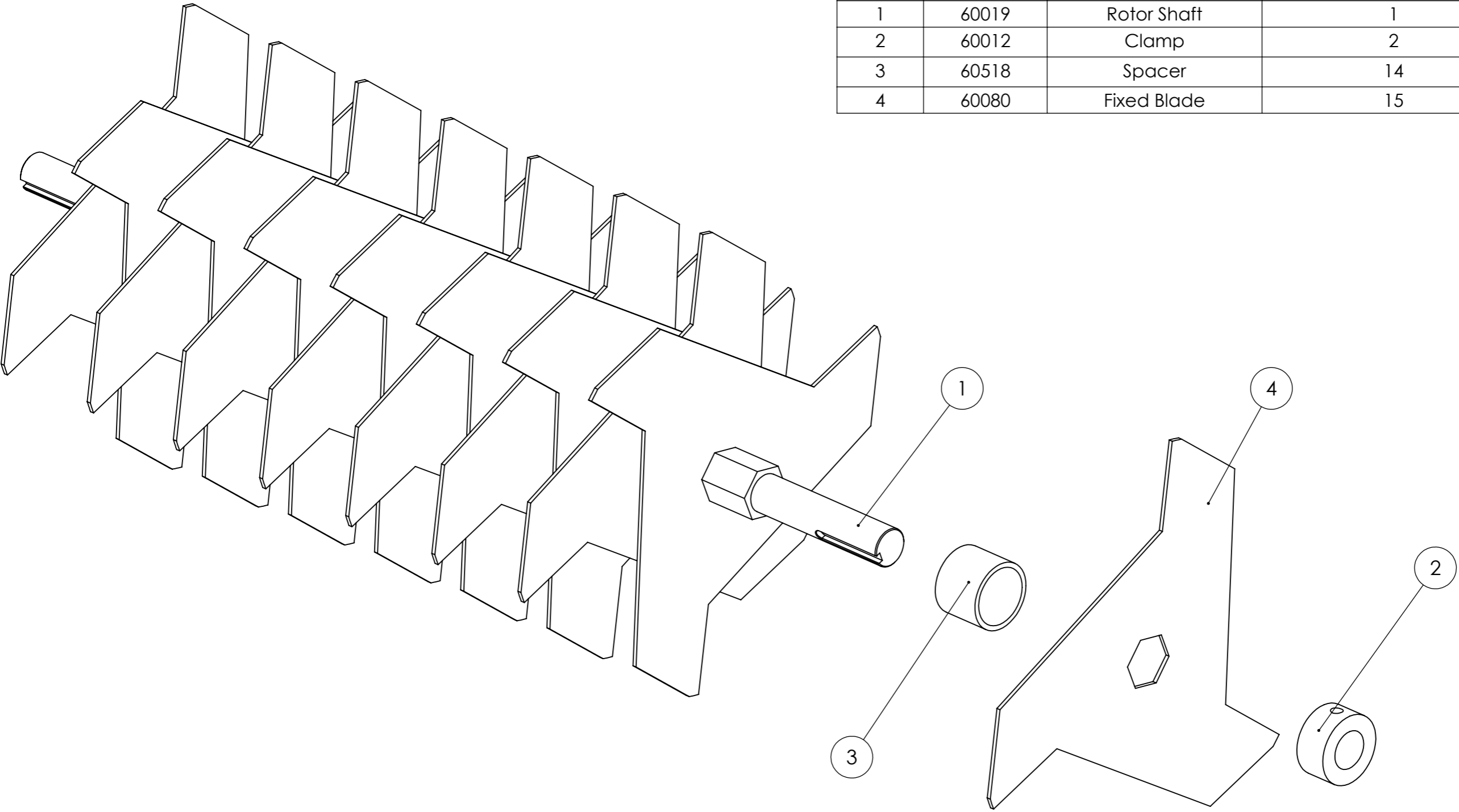
ITEM NO.	PartNo	DESCRIPTION	QTY.
1	60019	Rotor Shaft	1
2	60012	Clamp	2
3	60014	Spider	11
4	60013	Spacer	10
5	60017	Rod	3
6	60073	Pear GT Blade	30
7	60015a	50mm Spring	10
8	60015b	30mm spring	20
9	60015c	20mm spring	20
10	40016	Split pin	6
11	31411105	M10 Plain Washer	6

BLADE ASSEMBLY & SET PART NUMBERS

ITEM NO	Description
60072	Set of Springs
60058GT	Set of 30 Waisted Blades
60112	Set of 30 LS17 Waisted Blades
60185	Rotor Cartridge Complete inc Bearings, Carriers & Pulley

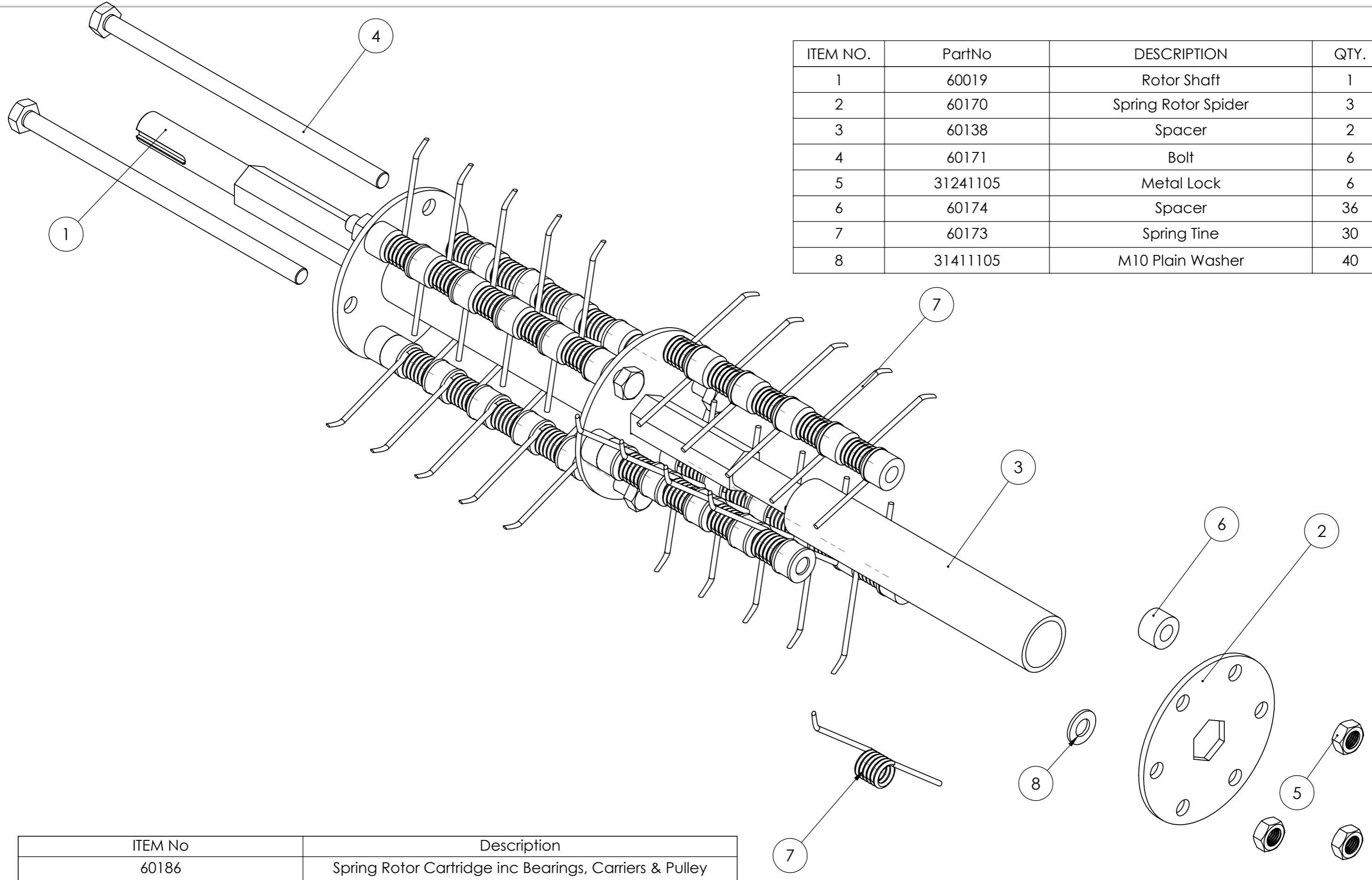
Tracmaster Ltd Tel: +44 (0) 1444 247689 www.tracmaster.co.uk	Parts Diagram CAMON LS42 Scarifier	Free Swinging Rotor Assembly	VALID FROM	Aug 2010
			SERIAL NUMBER	from 60000
			REVISION	A

ITEM NO.	PartNo	DESCRIPTION	Rotor Assembly/QTY.
1	60019	Rotor Shaft	1
2	60012	Clamp	2
3	60518	Spacer	14
4	60080	Fixed Blade	15



ITEM No	Description
60180	Fixed RotorCartridge inc Bearings, Carrier & Pulleys

Tracmaster Ltd Tel: +44 (0) 1444 247689 www.tracmaster.co.uk	Parts Diagram CAMON LS42 Scarifier	Fixed Rotor Assembly	VALID FROM	Aug 2010
			SERIAL NUMBER	from 60000
			REVISION	A



ITEM NO.	PartNo	DESCRIPTION	QTY.
1	60019	Rotor Shaft	1
2	60170	Spring Rotor Spider	3
3	60138	Spacer	2
4	60171	Bolt	6
5	31241105	Metal Lock	6
6	60174	Spacer	36
7	60173	Spring Tine	30
8	31411105	M10 Plain Washer	40

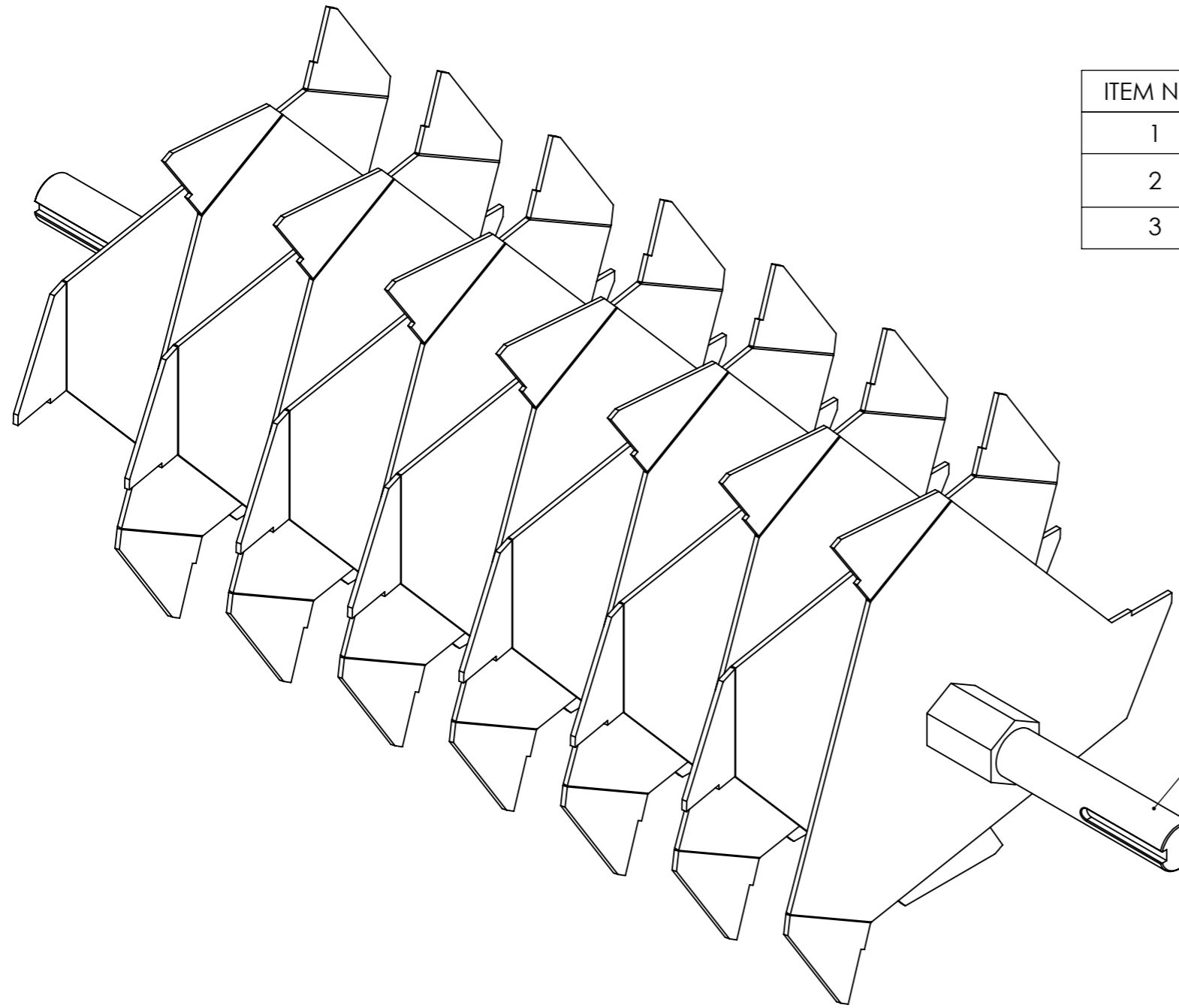
ITEM No	Description
60186	Spring Rotor Cartridge inc Bearings, Carriers & Pulley

Tracmaster Ltd
 Tel: +44 (0) 1444 247689
 www.tracmaster.co.uk

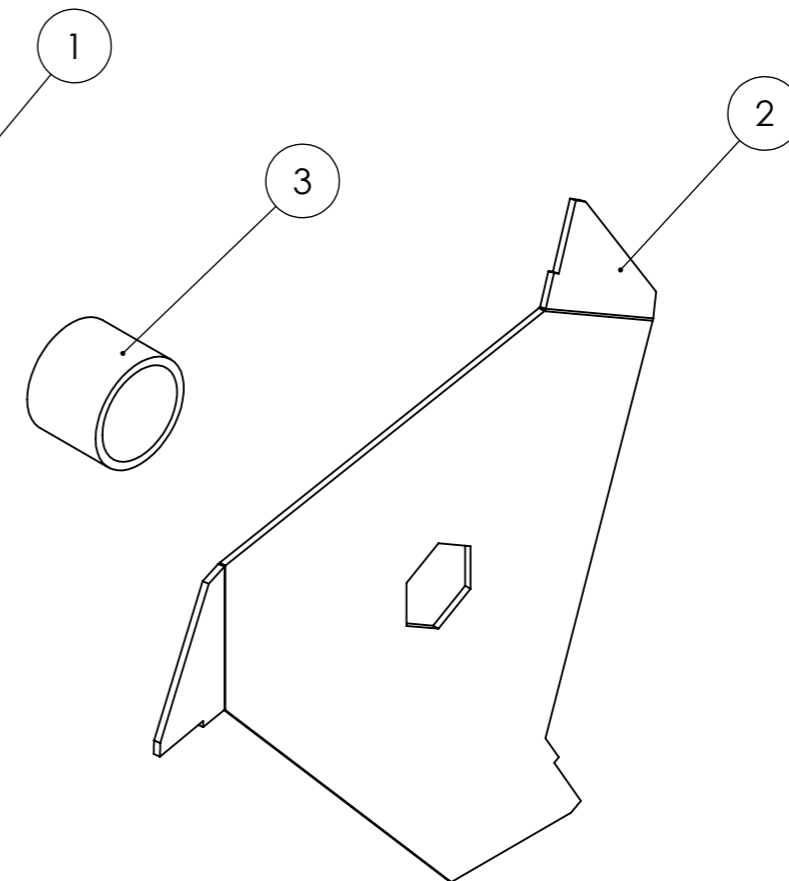
Parts Diagram
CAMON LS42 Scarifier

Spring Rotor Assembly

VALID FROM	Aug 2010
SERIAL NUMBER	from 60000
REVISION	A



ITEM NO.	PartNo	DESCRIPTION	QTY.
1	60019	Rotor Shaft	1
2	60200	Renovation Blade	15
3	60518	Spacer	14



ITEM No	Description
60188	Renovation Rotor Cartridge inc Bearings, Carriers & Pulley

Tracmaster Ltd
 Tel: +44 (0) 1444 247689
 www.tracmaster.co.uk

Parts Diagram
CAMON LS42 Scarifier

Renovation Rotor Assembly

VALID FROM	Aug 2010
SERIAL NUMBER	from 60000
REVISION	A