

CAMON

ONE-MAN HOLE BORER MODEL HD99

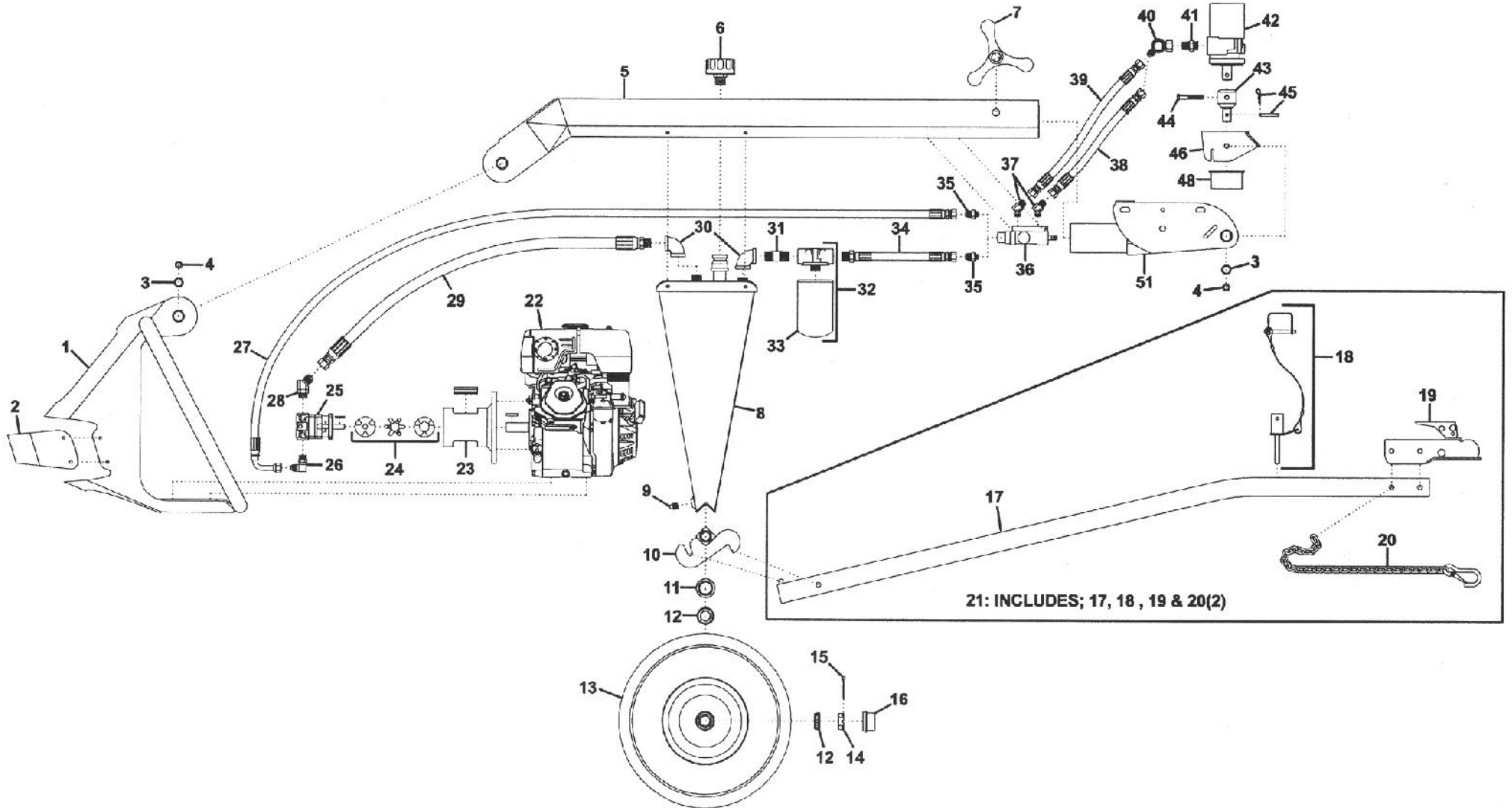
PARTS DIAGRAMS



Tracmaster Ltd, Teknol House, Victoria Road, Burgess Hill RH15 9LH. T: 01444 247689 F: 01444 871612 E: spares@tracmaster.co.uk

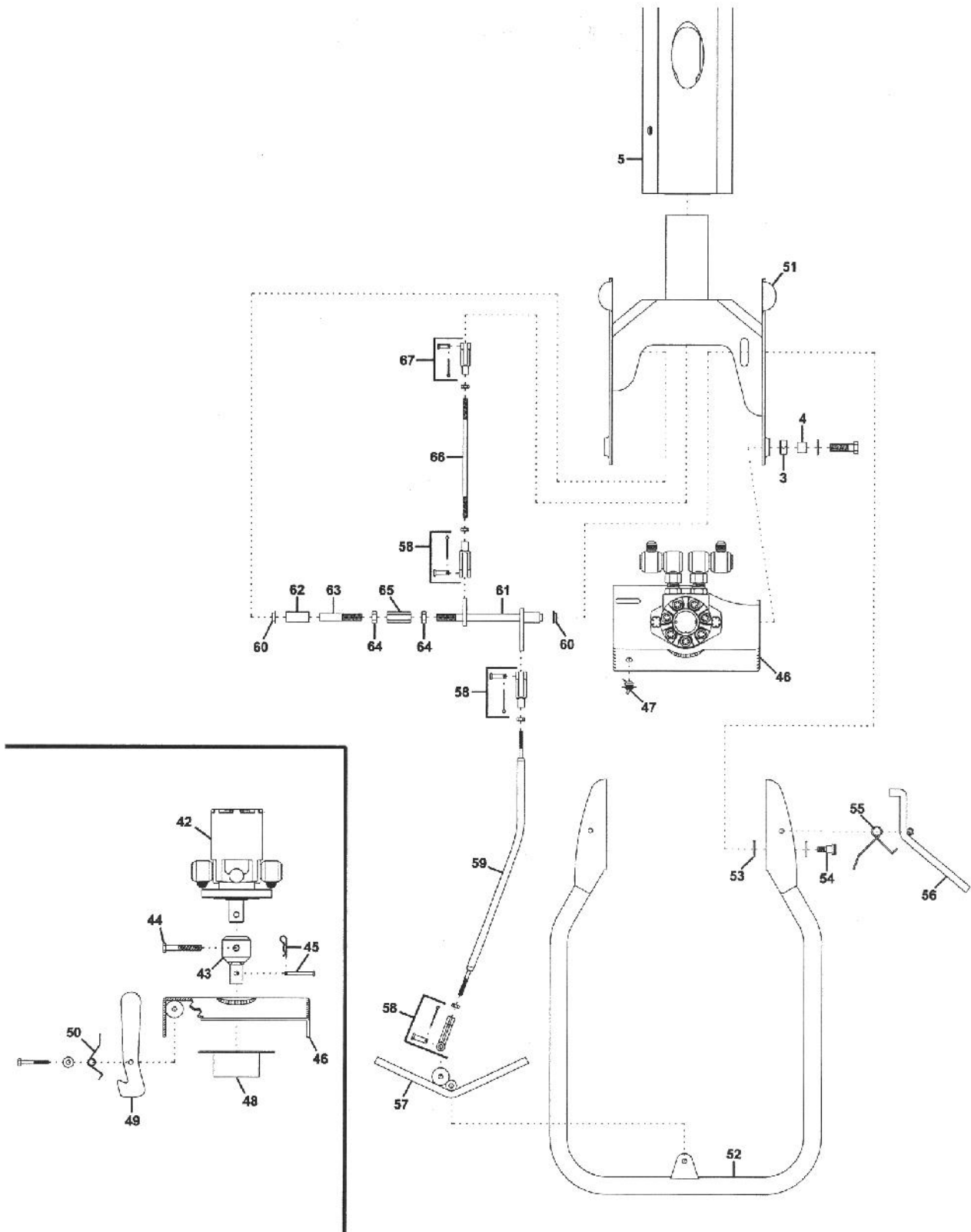
HD99/0604

CAMON HD99 ONE-MAN HOLE BORER



CAMON

HD99 ONE-MAN HOLE BORER



Tracmaster Ltd, Teknol House, Victoria Road, Burgess Hill RH15 9LH
T: 01444 247689 F: 01444 871612 E: spares@tracmaster.co.uk

HD99/0604/B

<u>Diag No</u>	<u>Part No</u>	<u>Description</u>	<u>Diag No</u>	<u>Part No</u>	<u>Description</u>
1	H210	Engine Frame	35	H743	Valve In-Out Hose Adapter
2	H270	Pump Guard	36	H722	Hydraulic Valve
3	561	Pivot Bushing	37	H744	Valve to Motor Hose Adapter
4	H550	Pivot Point Spacer	38	H734	Valve to Motor Hose Short
5	H110	Boom	39	H735	Valve to Motor Hose Long
6	H360	Filler Cap / Breather	40	H746	High Pressure Swivel
7	H140	Swivel Lock	41	H745	Motor to Swivel Adapter
8	H310	Hydraulic Reservoir	42	H723	Hydraulic Motor
9	H370	Reservoir Drain Plug	43	H715	Auger to Motor Adapter
10	H410	Axle	44	1550	F911 ³ / ₈ x 3" Coarse Thread Capscrew
11	H422	Wheel Bearing Seal	45	1300	Clevis Pin w/Clip
12	H421	Wheel Bearing	46	H510	Pivot Plate
13	H420	Tyre and Wheel Assembly (5.70 x 8)	47	4720	Snap Switch
14	1620	1" Castle Nut	48	H540	Adapter Guard
15	60525	Cotter Pin	49	H520	Pivot Plate Lock Lever
16	H423	Dust Cap	50	H530	Pivot Plate Lock Lever Spring
17	H910	Towbar Tube	51	H130	Wishbone
18	H950A	Output Shaft Receiver Assembly	52	H610	Handlebar
19	H920	Hitch Coupler	53	H670	1 1/4 OD x 1/2 ID Nylon Thrust Washer
20	H930	Safety Chain	54	1555	Handlebar Shoulder Bolt
21	H900	Towbar Assembly <i>[includes nos 17, 18, 19 & 20(2)]</i>	55	H660	Handlebar Latch Spring
22	GX270QA2	9hp Honda Petrol Engine	56	H650	Handlebar Latch
23	H711	Pump Adapter (Aluminium)	57	H640	Control Lever
24	H710	Engine to Pump Coupler	58	H820	⁵ / ₁₆ x ⁵ / ₁₆ Clevis Rod End <i>(includes pin & clip)</i>
25	H721	Hydraulic Pump	59	H880	Bell Crank Control Rod
26	H741	Pump Suction Hose Adapter	60	H870	Bell Crank Bushing
27	H742	Pump Pressure Hose Adapter	61	H840	Bell Crank
28	H732	Pressure Hose	62	H860	Bell Crank Spacer
29	H731	Suction Hose	63	H850	Bell Crank Short Shaft
30	H751	³ / ₄ " NPT Pipe Elbow	64	1606	¹ / ₂ " Jam Nut
31	H752	³ / ₄ " NPT x 2 1/2" Pipe Nipple	65	1625	¹ / ₂ " Coupler Nut
32	H724	Filter-Adapter Assembly	66	H830	Valve Control Rod
33	H725	Filter	67	H810	¹ / ₄ x ⁵ / ₁₆ Clevis Rod End <i>(includes pin & clip)</i>
34	H733	Return Hose			