

C8 ROTAVATOR

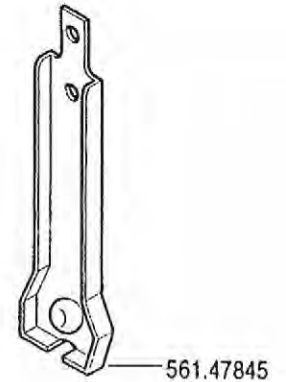
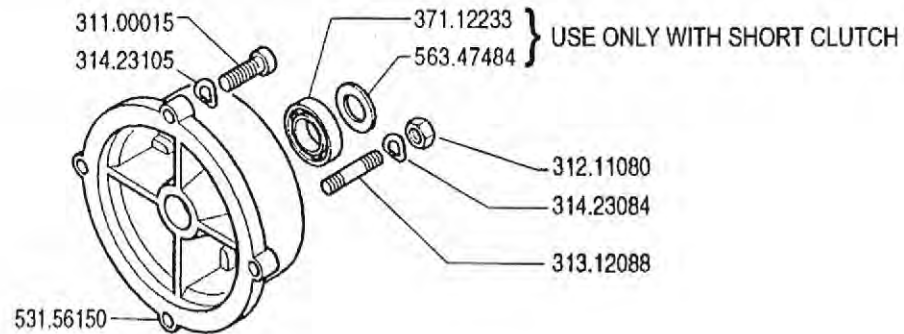
(BCS 710 Two Wheel Tractor with Rotavator)

Manufactured by BCS s.p.a.

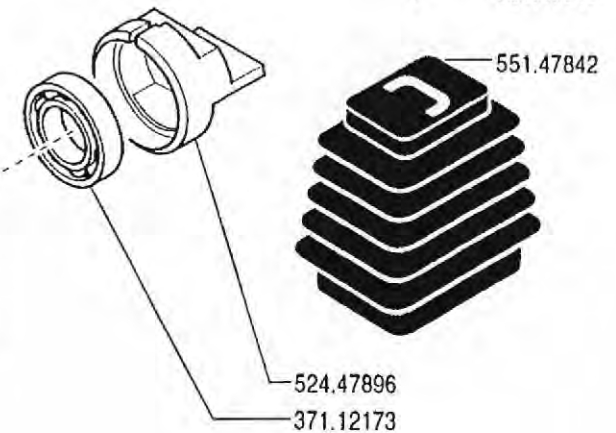
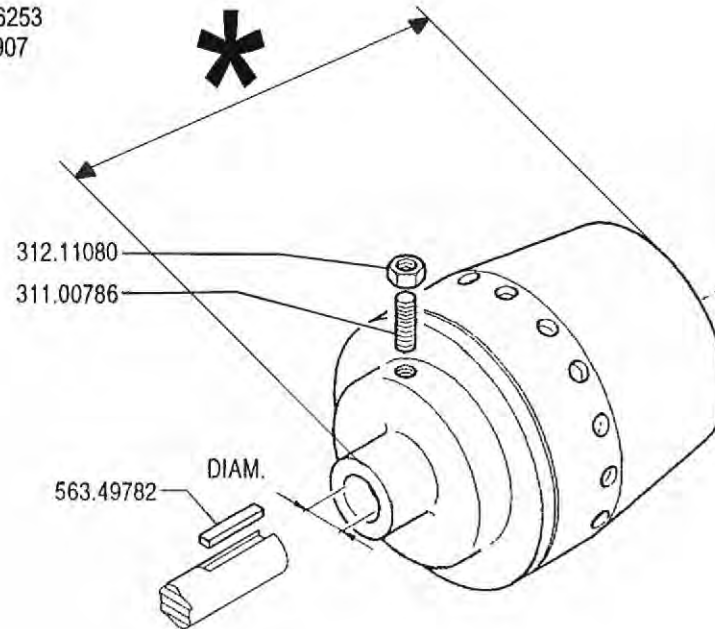
PARTS DIAGRAMS



CAMON C8 ROTAVATOR



- * GX240 - SHORT CLUTCH (110mm) - 592.56253
- * GX240 - LONG CLUTCH (127mm) - 592.47907

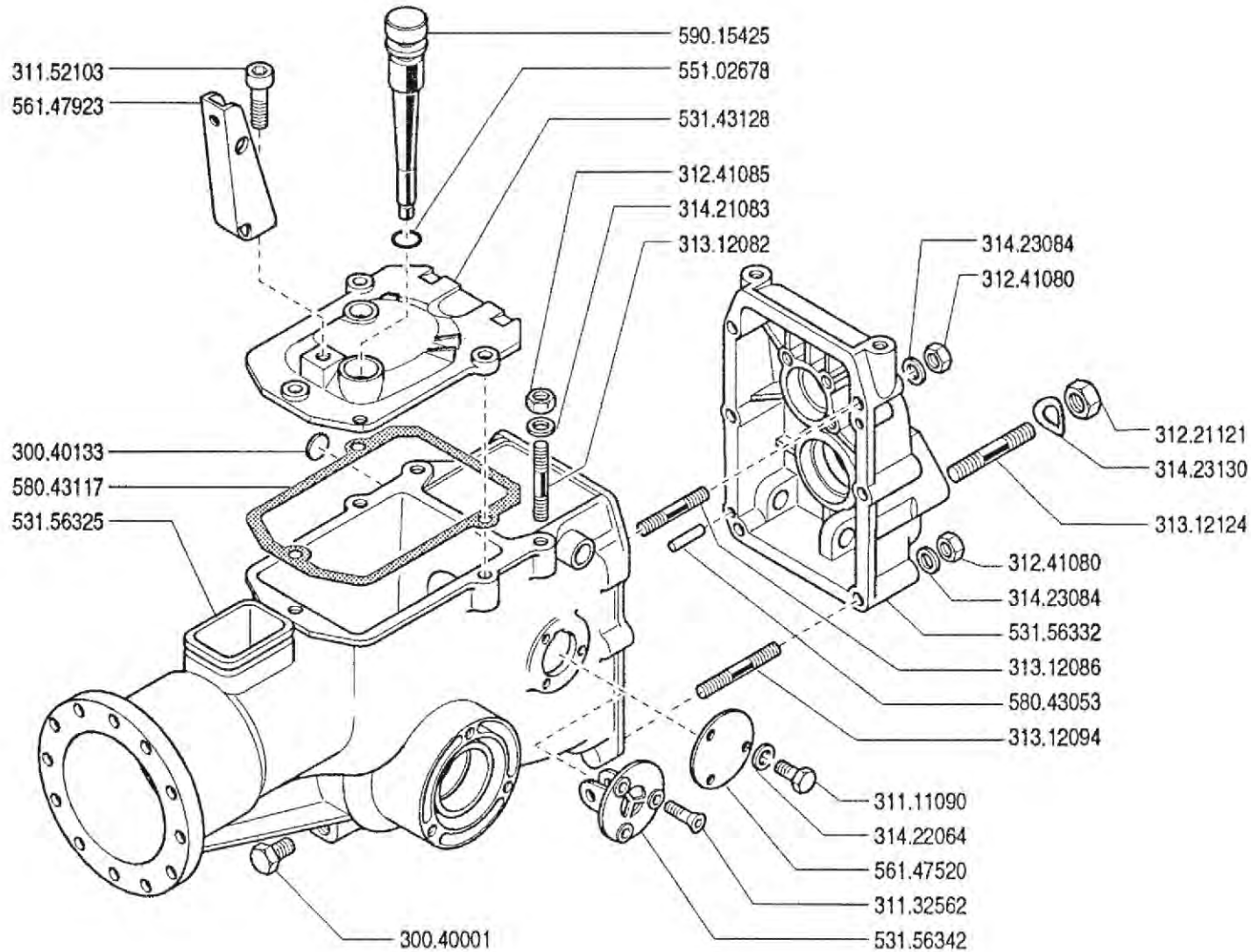




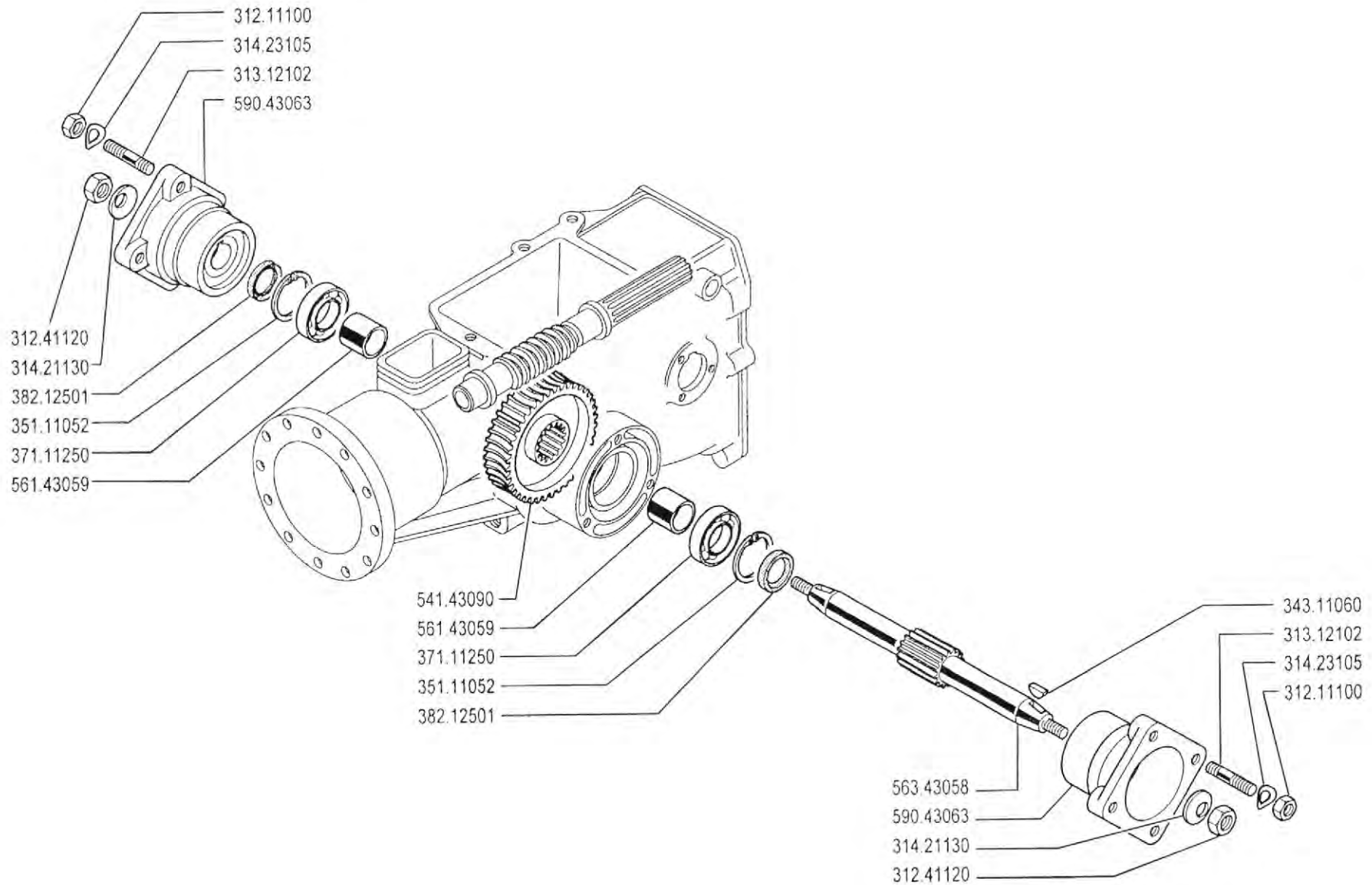
**NEVER DISASSEMBLE
THE CLUTCH**

**DAMAGED UNITS
MUST BE REPLACED**

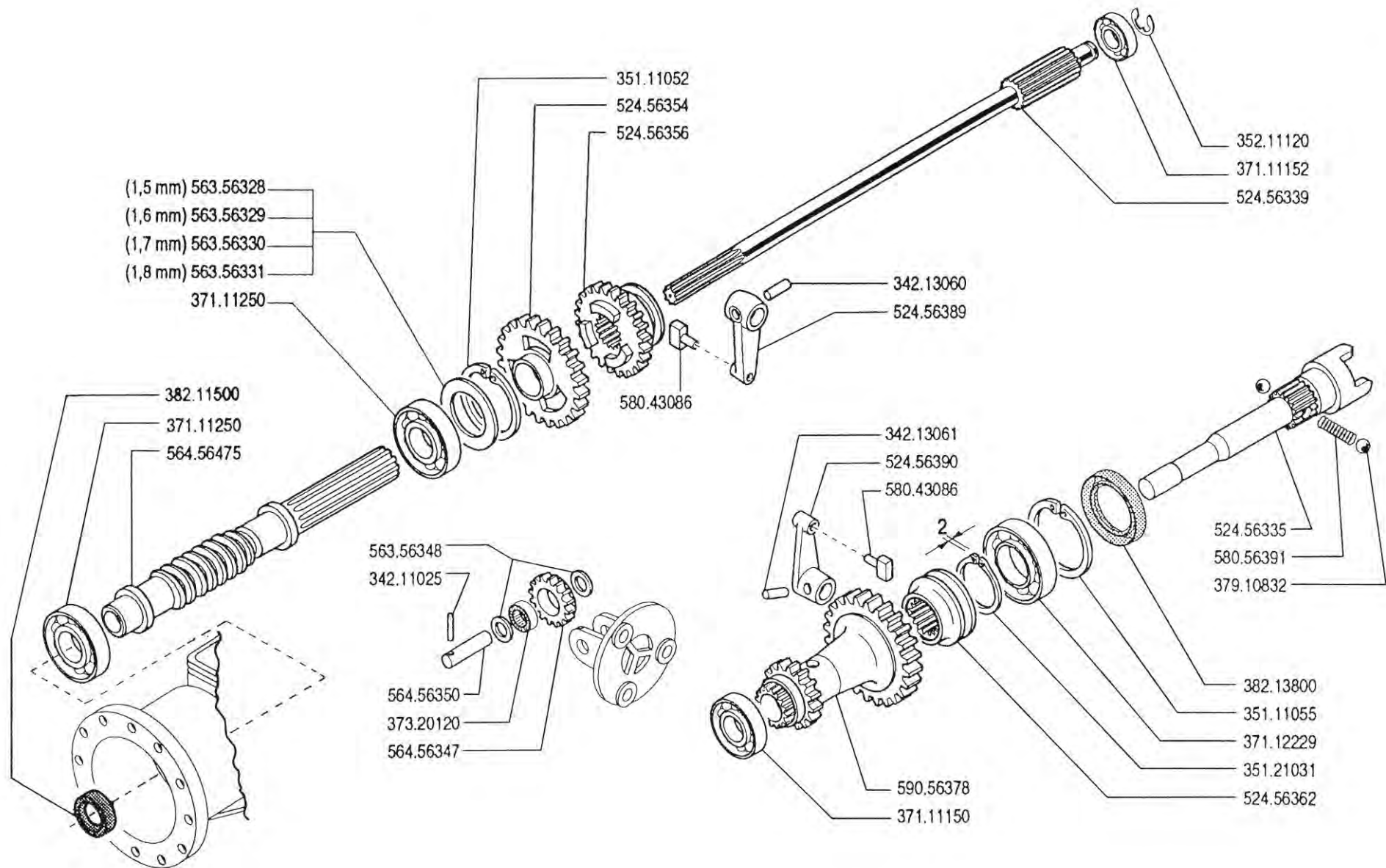
CAMON C8 ROTAVATOR



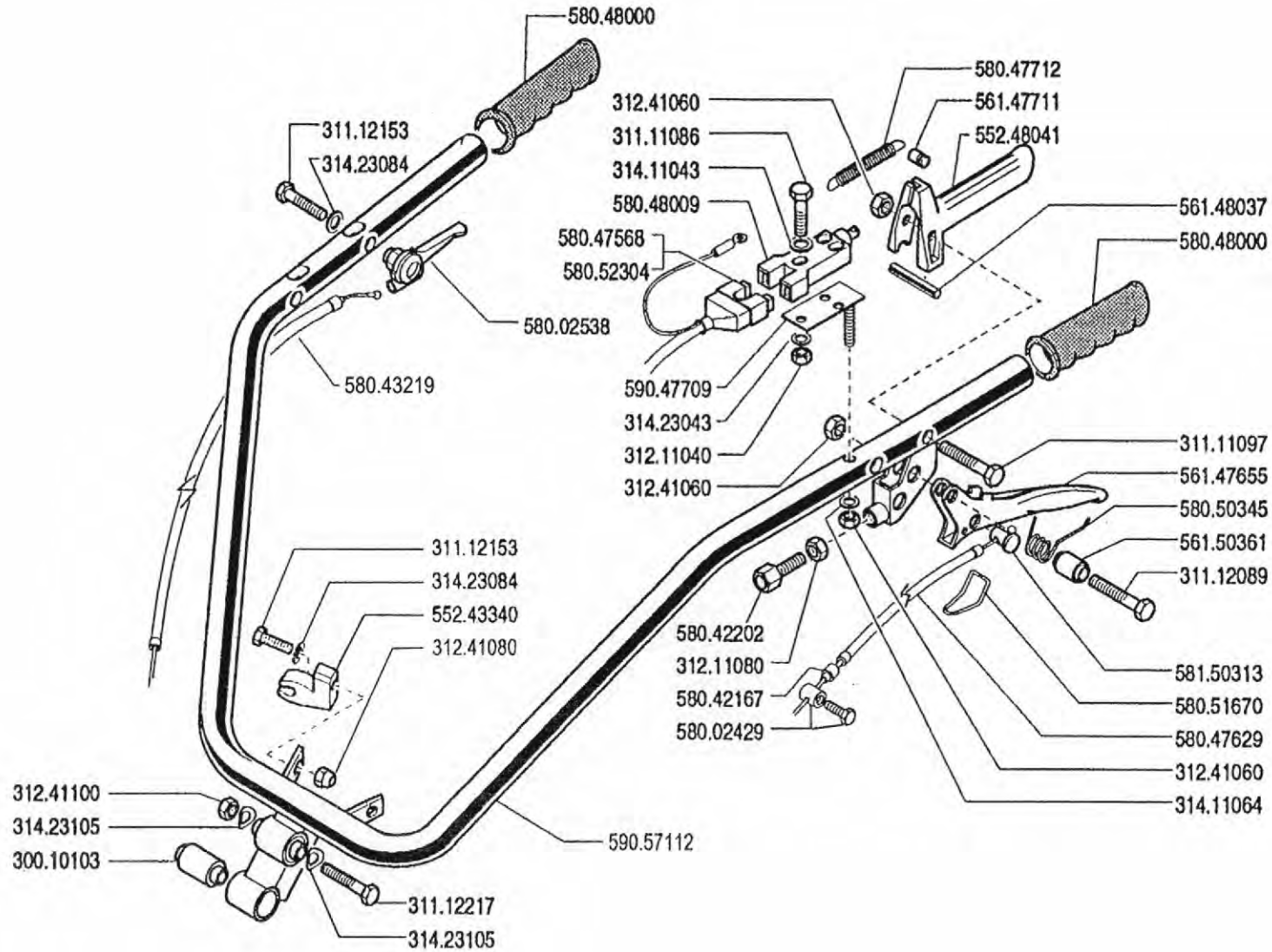
CAMON C8 ROTAVATOR



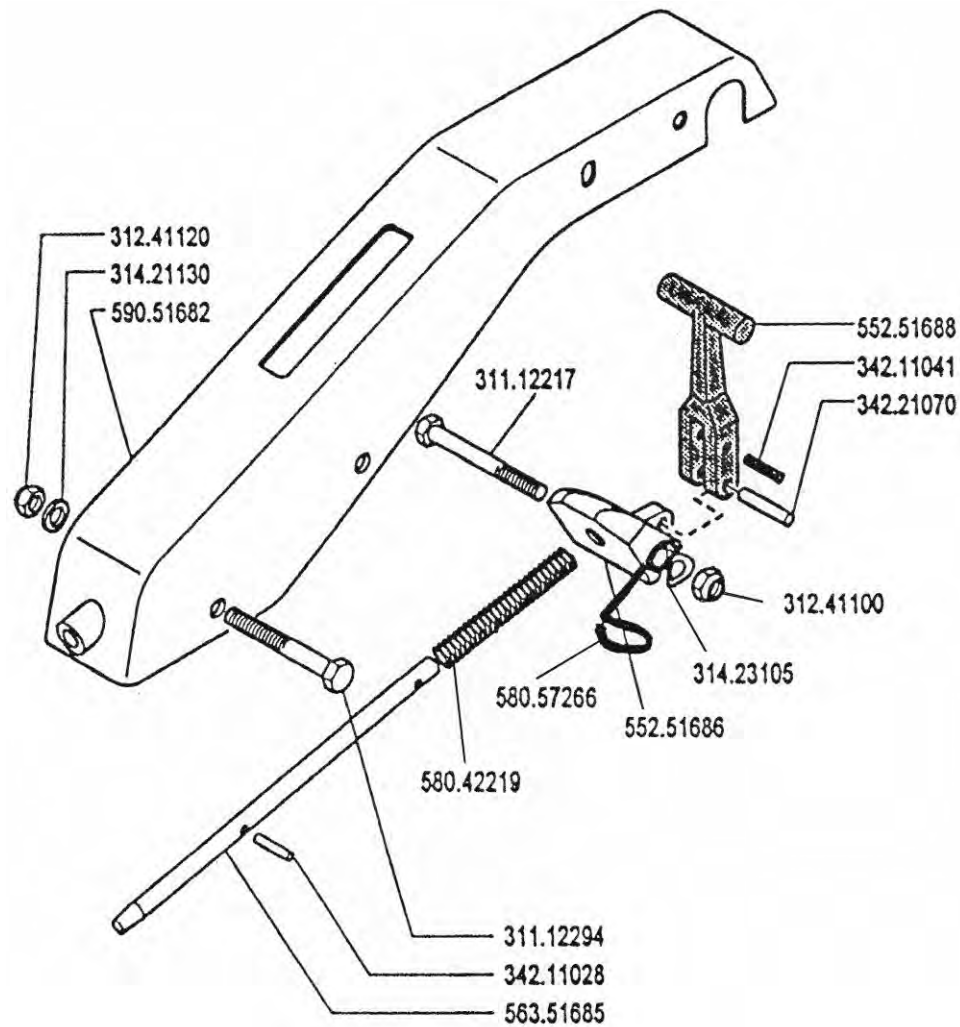
CAMON C8 ROTAVATOR



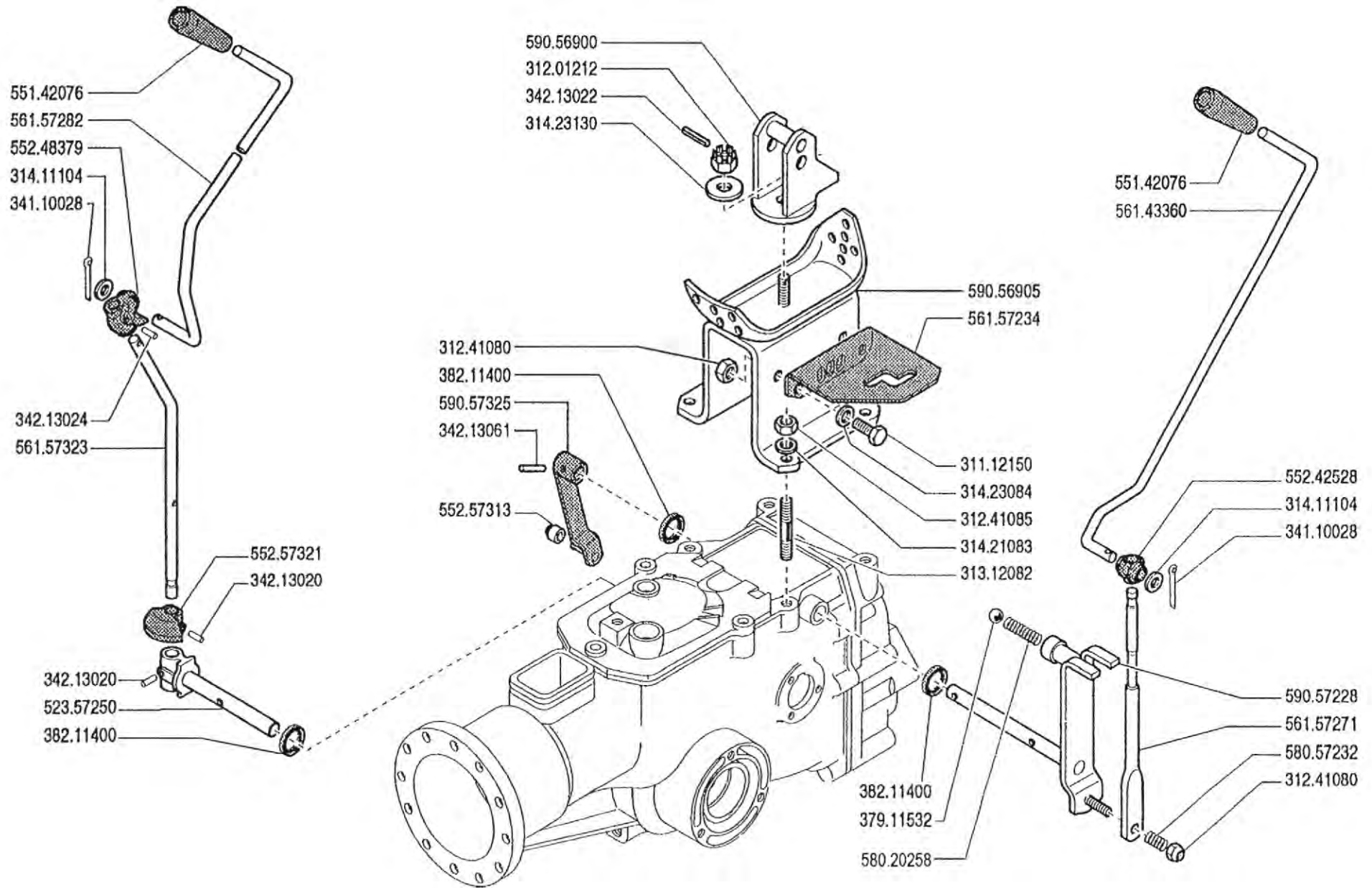
CAMON C8 ROTAVATOR



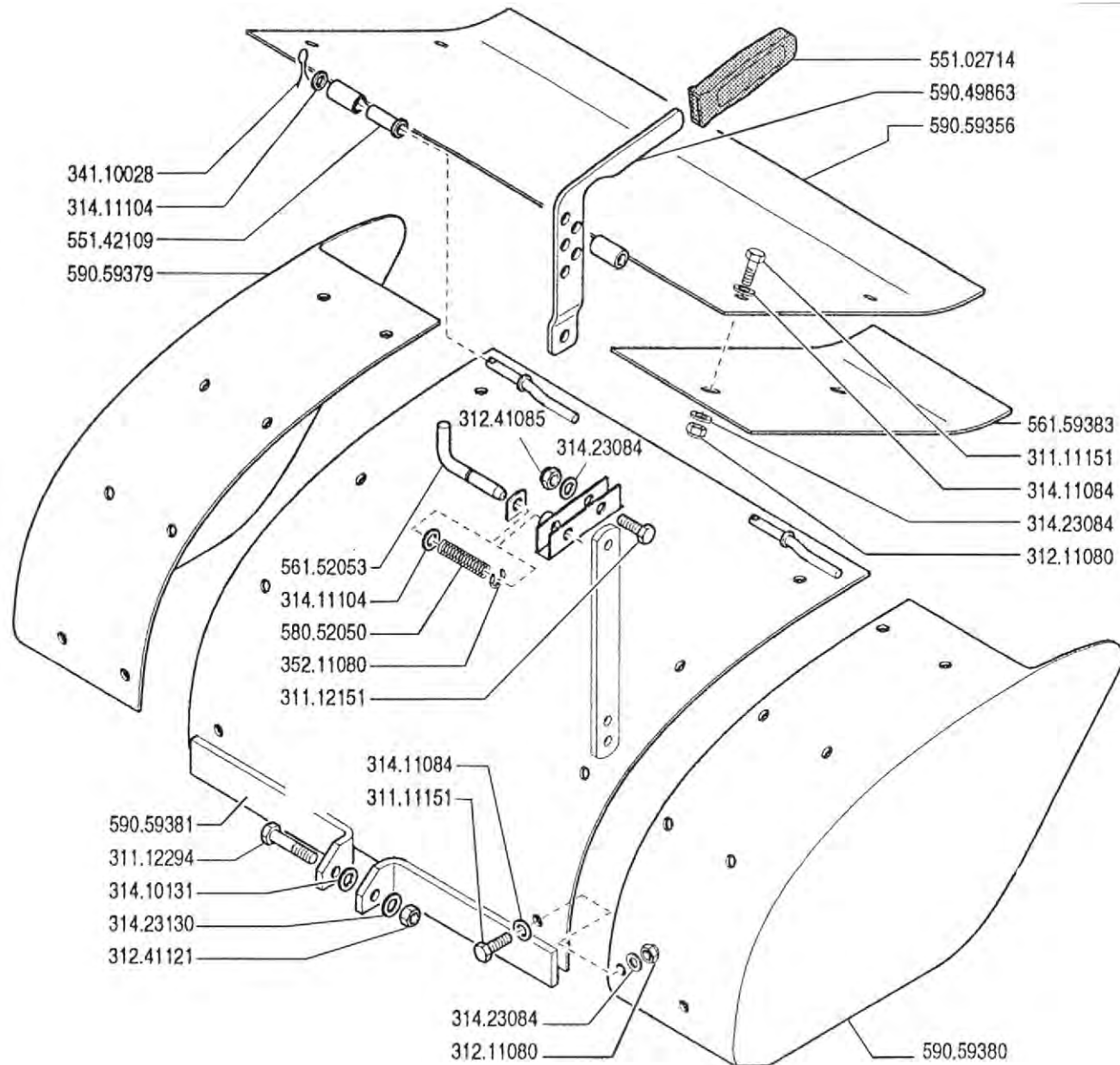
CAMON C8 ROTAVATOR



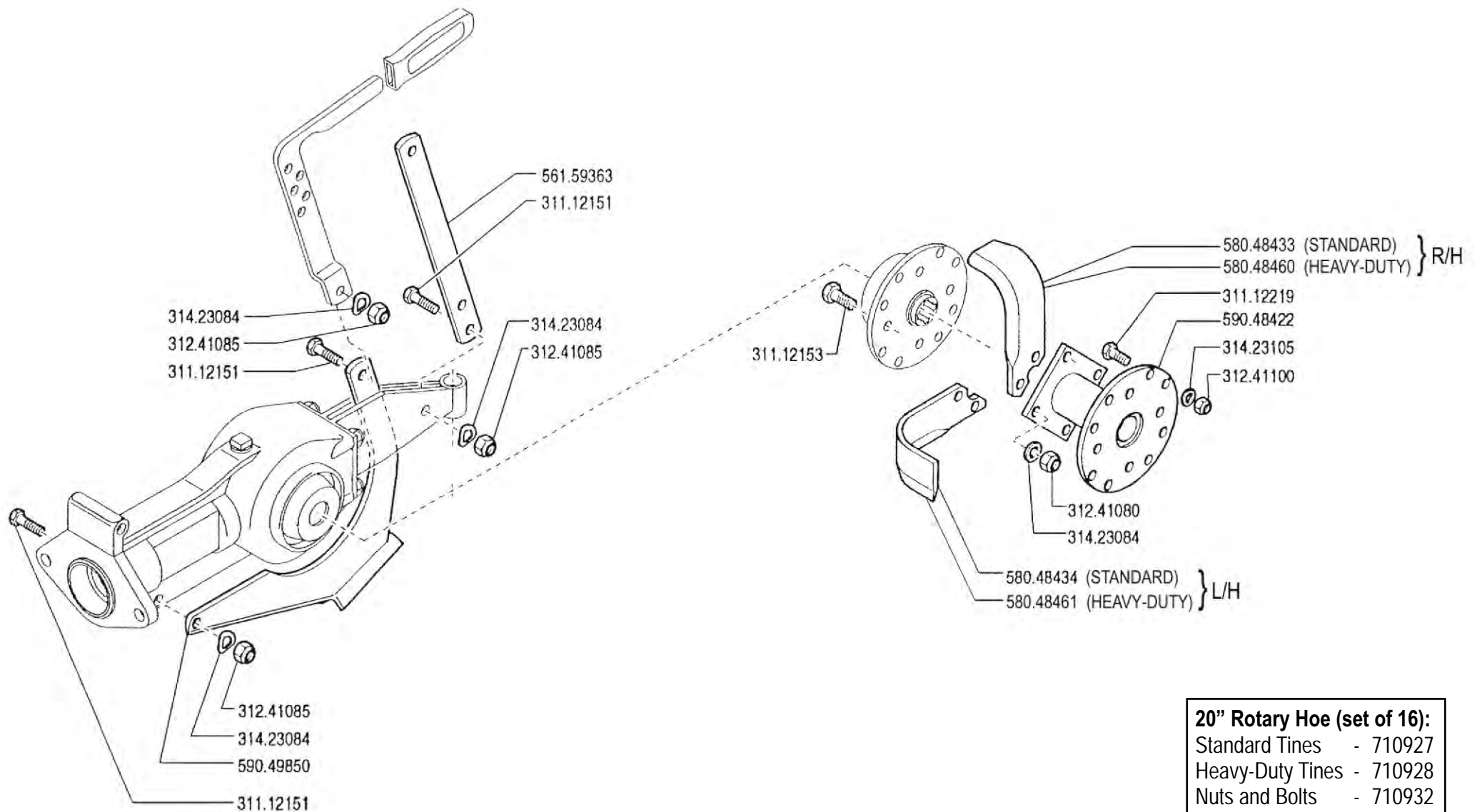
CAMON C8 ROTAVATOR



CAMON C8 ROTAVATOR

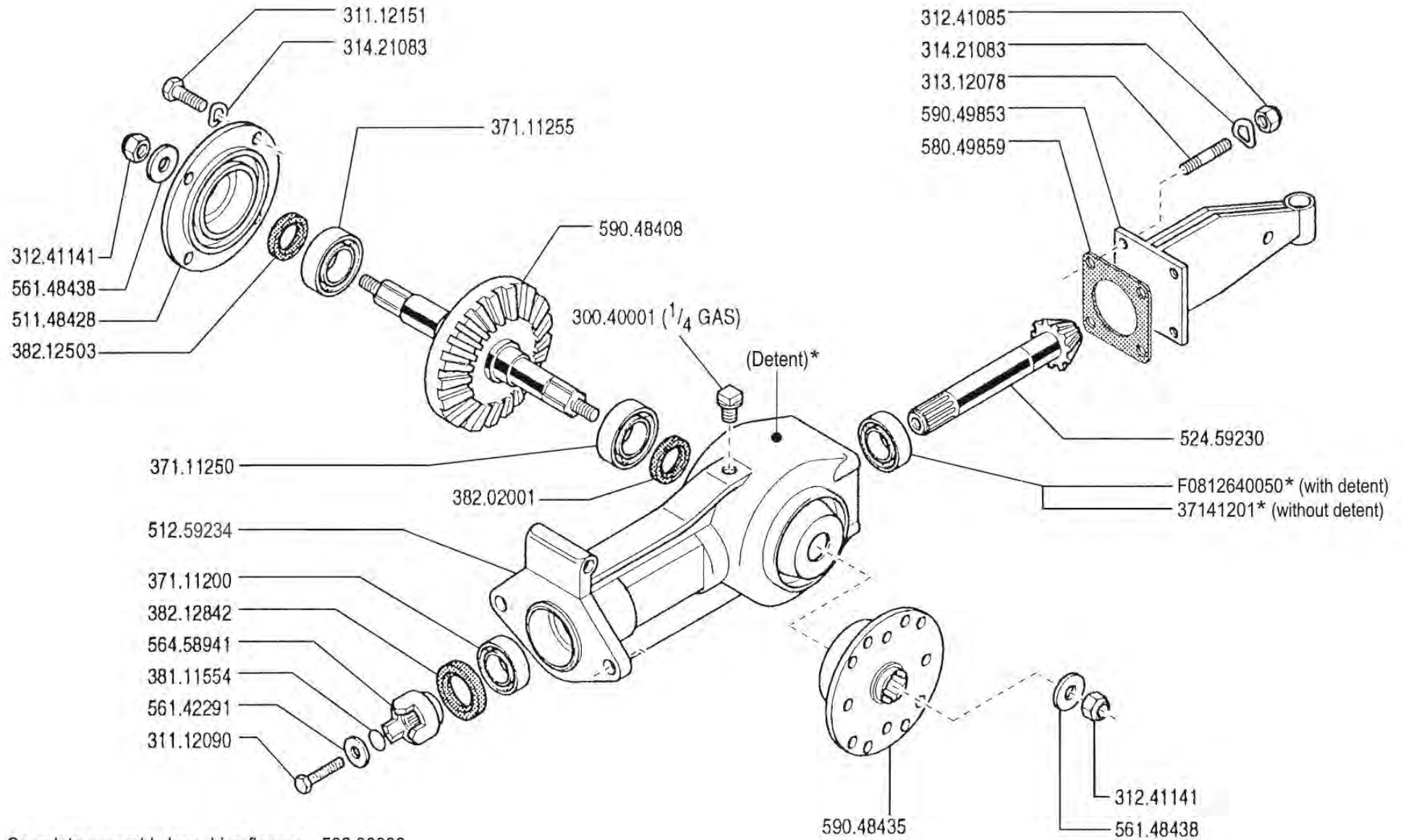


CAMON C8 ROTAVATOR



20" Rotary Hoe (set of 16):	
Standard Tines	- 710927
Heavy-Duty Tines	- 710928
Nuts and Bolts	- 710932

CAMON C8 ROTAVATOR



Complete assembly less drive flanges - 592.90898