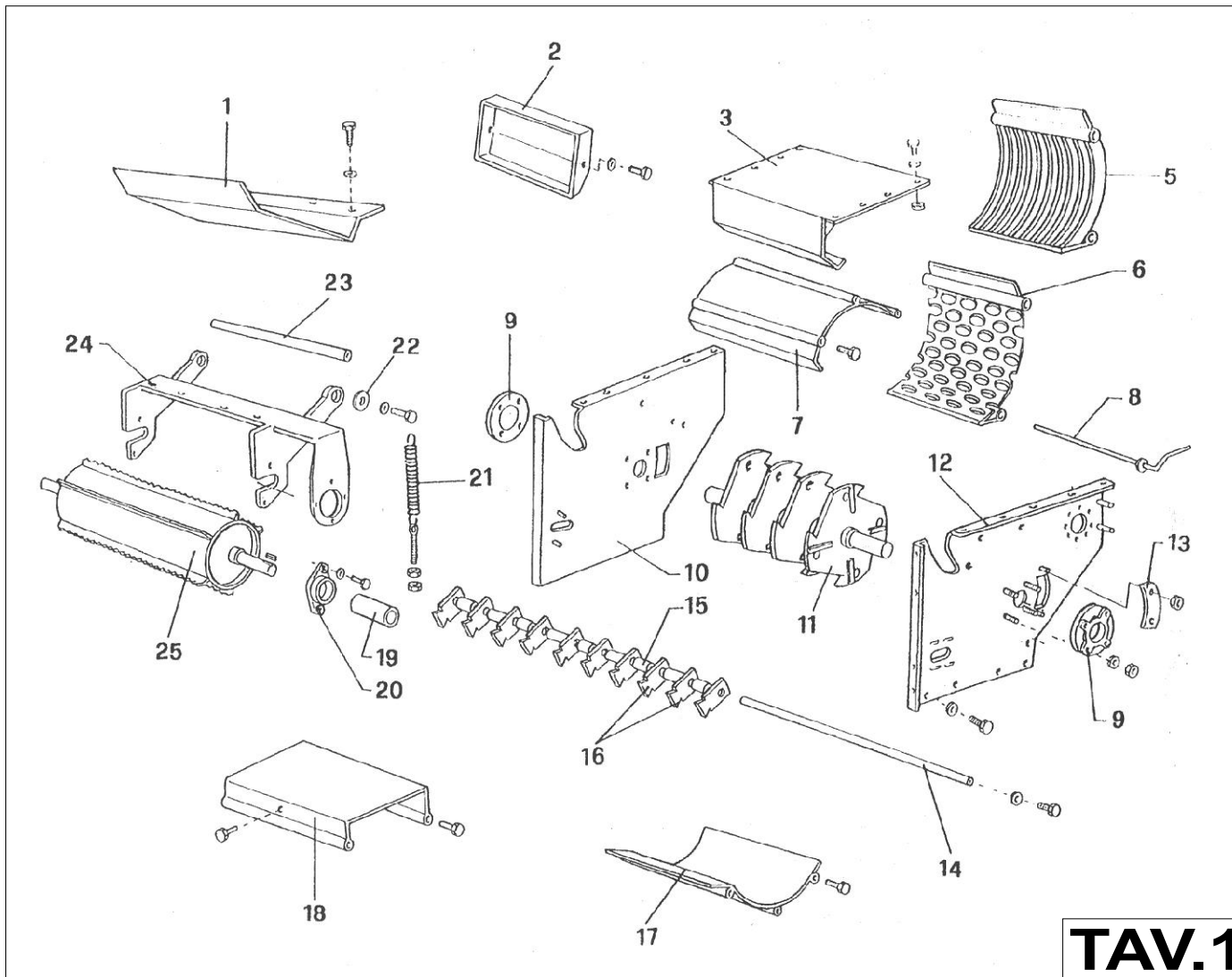


C300 COMMERCIAL SHREDDER

PARTS DIAGRAMS



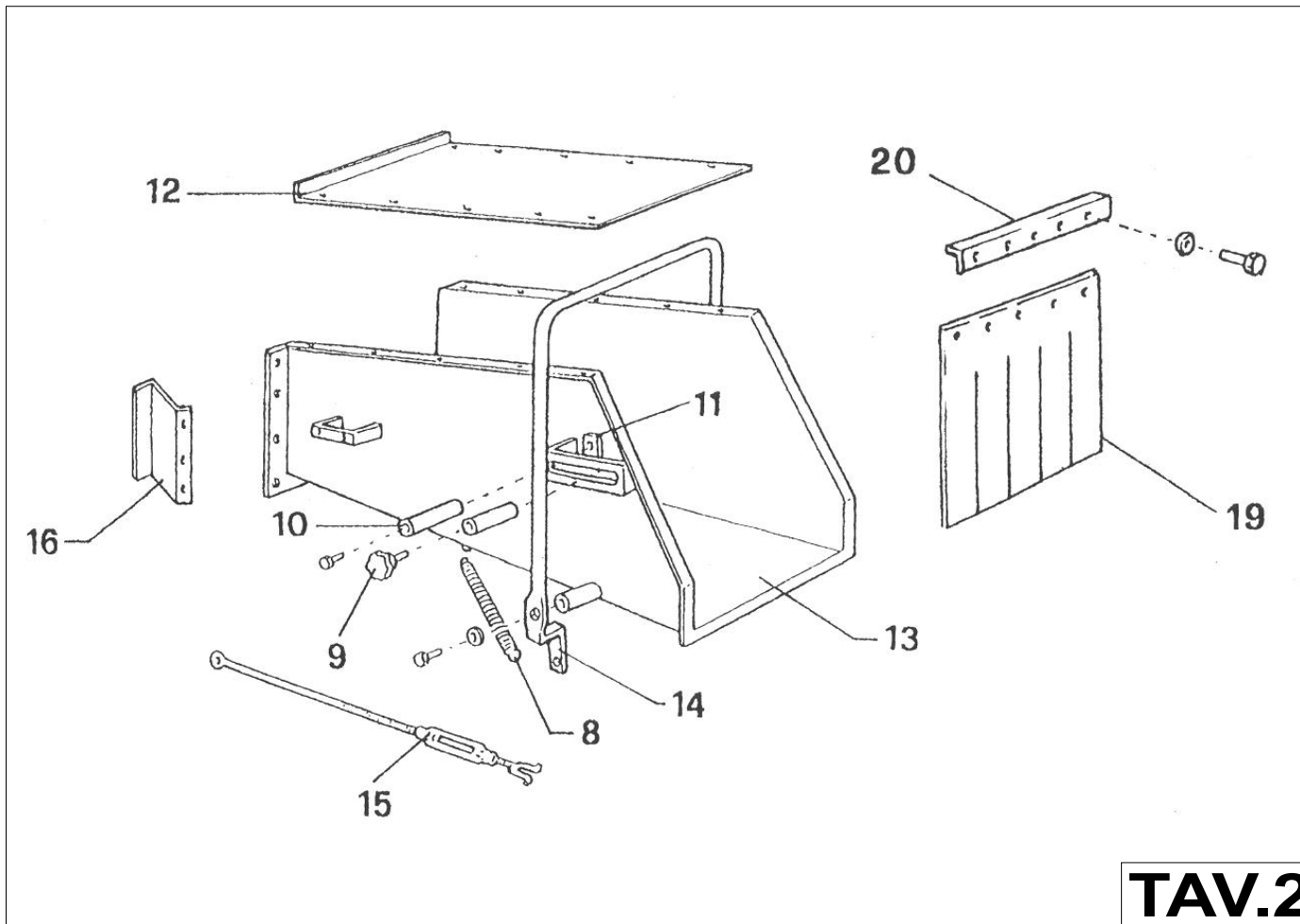
CAMON C300 COMMERCIAL SHREDDER



TAV.1

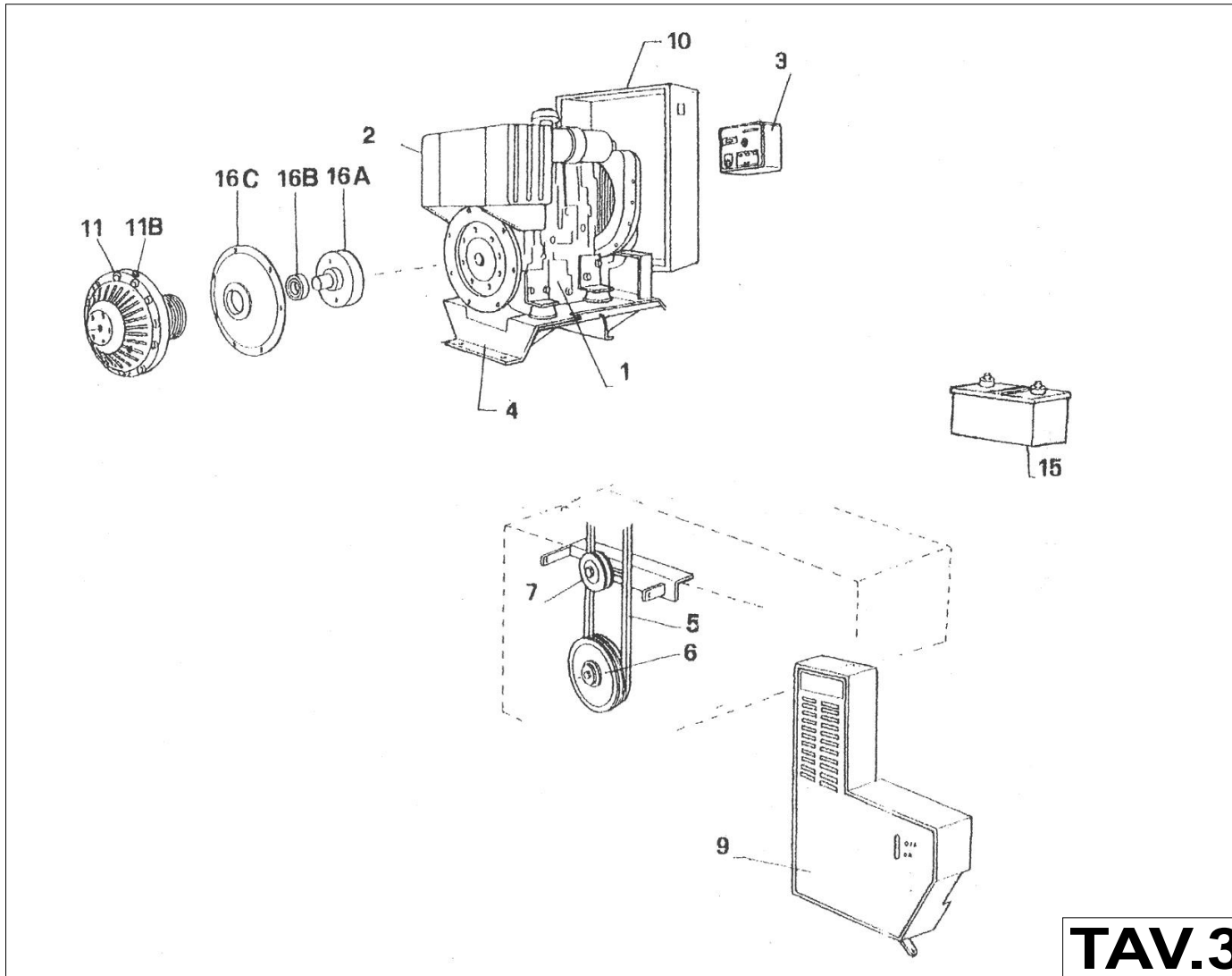
Diag No	Description	Part No
1	Cover	T1-P1
2	Bracket	T1-P2
3	Top Cover	T1-P3
5	Discharge Grille	T1-P5
6	Optional Grille	T1-P6
7	Hammer Mill Top	T1-P7
8	Grille Retaining Pin	T1-P8
9	Rotor Shaft Bearing	T1-P9
10	LH Side Plant	T1-P10
11	Rotor Assembly	T1-P11
12	RH Side Plate	T1-P12
13	Cover Plate	T1-P13
14	Hammer Blade Rod	T1-P14
15	Spacer	T1-P15
16	Hammer	T1-P16
17	Hammer Mill Bottom	T1-P17
18	Bracket	T1-P18
19	Spacer	T1-P19
20	Roller Bearing	T1-P20
21	Spring	T1-P21
22	Bush	T1-P22
23	Rod	T1-P23
24	Roller Carrier	T1-P24
25	Roller	T1-P25

CAMON C300 COMMERCIAL SHREDDER



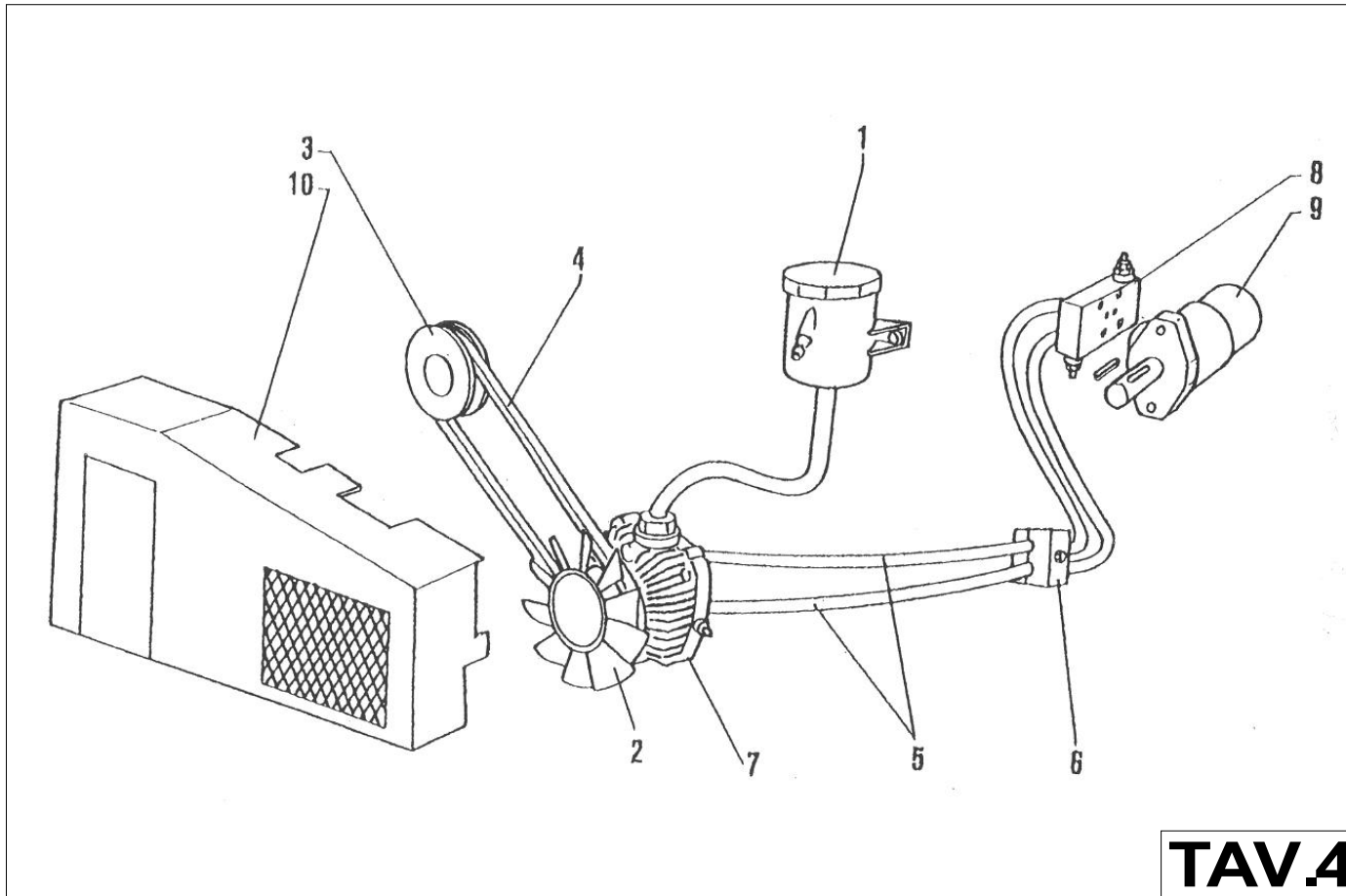
Diag No	Description	Part No
8	Spring	T2-P8
9	Knob	T2-P9
10	Spacer	T2-P10
11	Plate	T2-P11
12	Cover	T2-P12
13	Chute	T2-P13
14	Operating Lever	T2-P14
15	Operating Rod	T2-P15
16	Guide	T2-P16
19	Flap	T2-P19
20	Bracket	T2-P20

CAMON C300 COMMERCIAL SHREDDER



Diag No	Description	Part No
1	36hp Engine	T3-P1
2	Fuel Tank	T3-P2
3	Control Box	T3-P3
4	Base Plate	T3-P4
5	Belt B64	T3-P5
6	Pulley	T3-P6
7	Belt Tensioner	T3-P7
9	Belt Cover	T3-P9
10	Radiator Protector	T3-P10
11	Fluid Flywheel	T3-P11
11B	Plug	T3-P11B
15	Battery	T3-P15
16A	Coupling	T3-P16A
16B	Bearing	T3-P16B
16C	Cover	T3-P16C

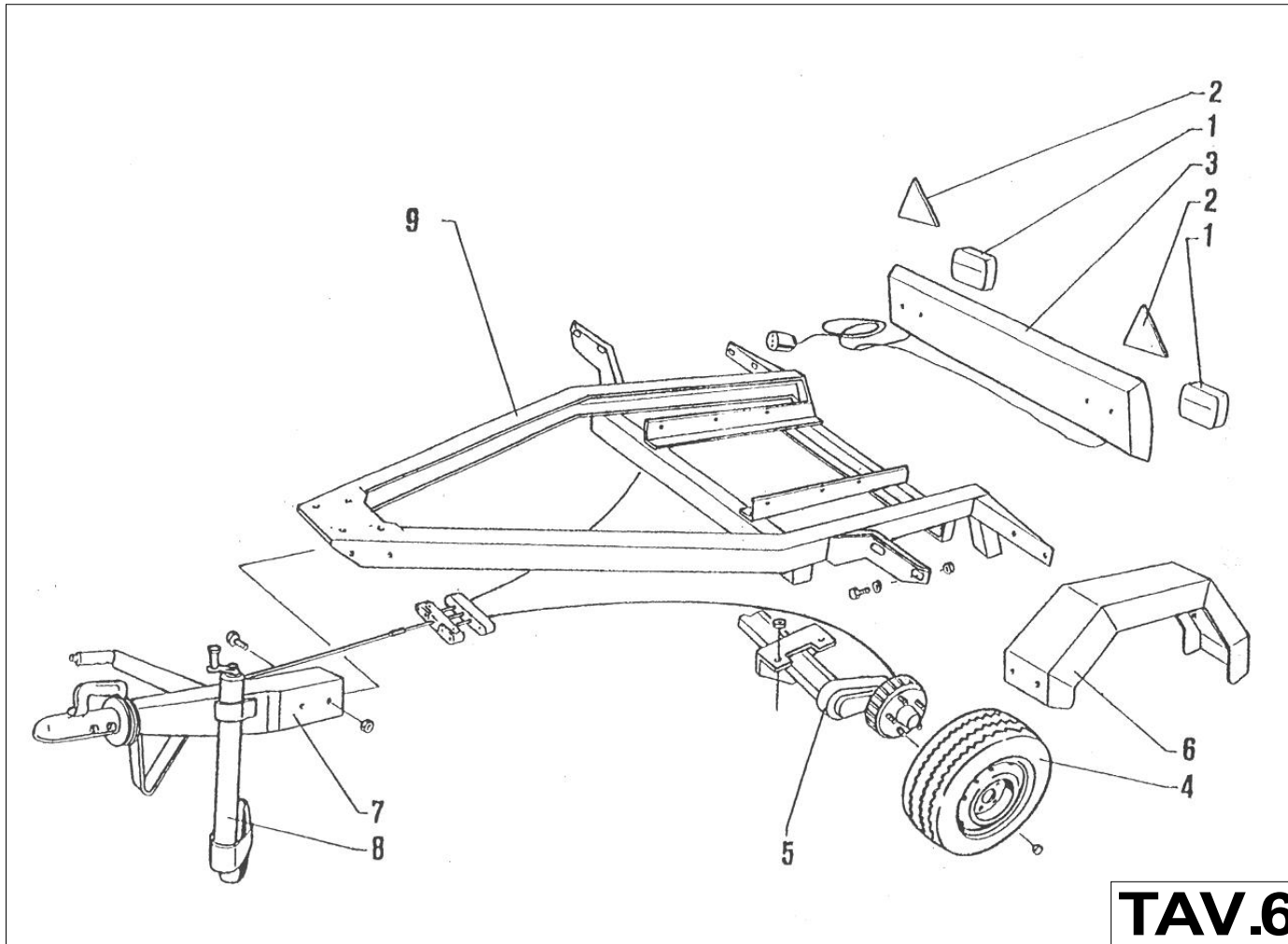
CAMON C300 COMMERCIAL SHREDDER



Diag No	Description	Part No
1	Header Tank	T4-P1
2	Fan	T4-P2
3	Pulley	T4-P3
4	Belt	T4-P4
5	Hose	T4-P5
6	Mounting Block	T4-P6
7	Hydraulic Pump	T4-P7
8	Valve Block	T4-P8
9	Hydraulic Motor	T4-P9
10	Belt Cover	T4-P10

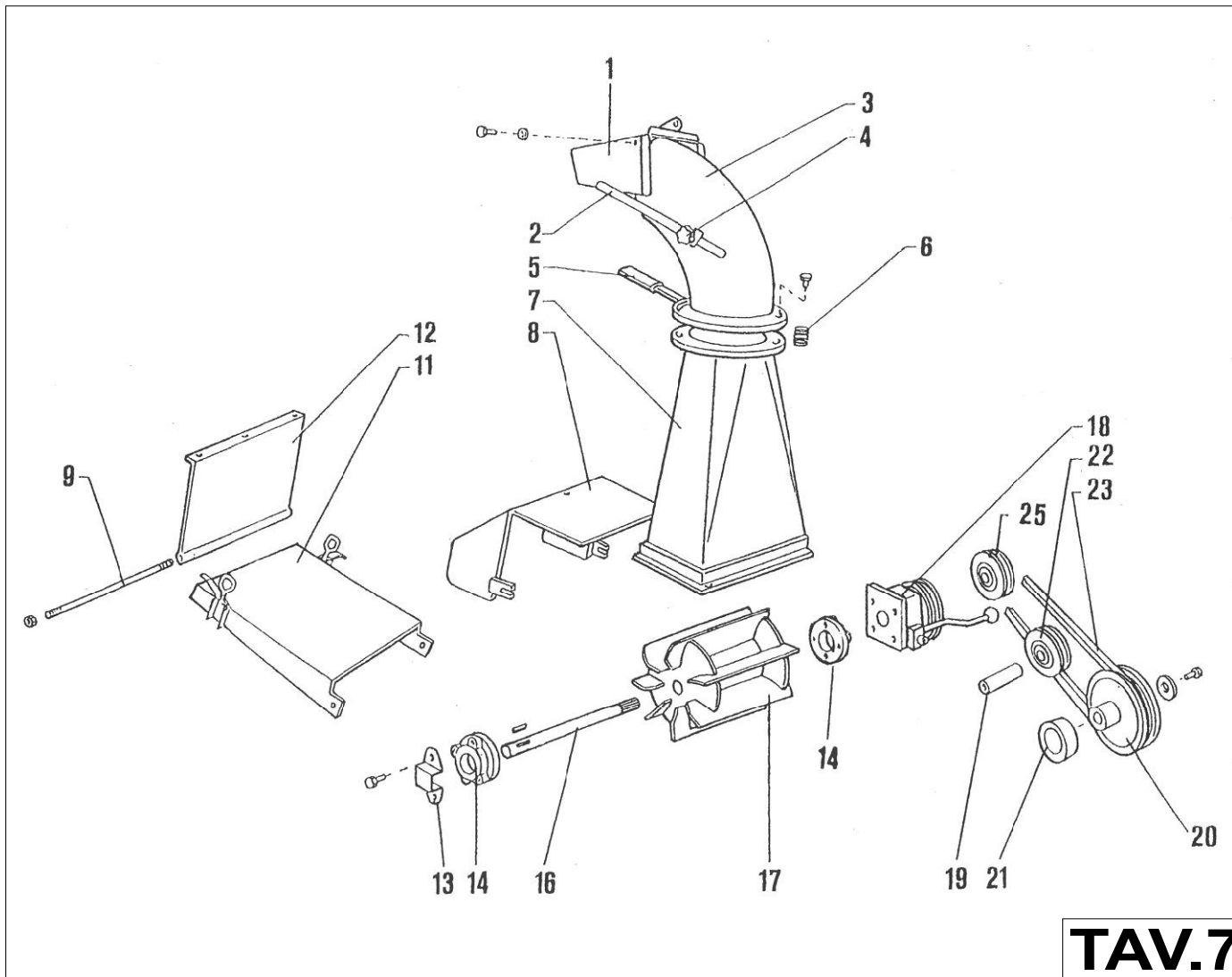
TAV.4

CAMON C300 COMMERCIAL SHREDDER



Diag No	Description	Part No
1	Lamp Assembly	T6-P1
2	Reflector	T6-P2
3	Lighting Board	T6-P3
4	Wheel	T6-P4
5	Axle Assembly	T6-P5
6	Mudguard	T6-P6
7	Tow Hitch	T6-P7
8	Jockey Wheel	T6-P8
9	Chassis	T6-P9

CAMON C300 COMMERCIAL SHREDDER



Diag No	Description	Part No
1	Deflector	T7-P1
2	Rod	T7-P2
3	Swivel Chute	T7-P3
4	Knob	T7-P4
5	Swivel Lever	T7-P5
6	Spring	T7-P6
7	Discharge Chute	T7-P7
9	Rod	T7-P9
11	Bottom Cover	T7-P11
12	Top Cover	T7-P12
13	Protector	T7-P13
14	Fan Bearing	T7-P14
16	Fan Shaft	T7-P16
17	Fan	T7-P17
19	Spacer	T7-P19
20	Pulley	T7-P20
21	Spacer	T7-P21
22	Belt Tensioner	T7-P22
23	Belt	T7-P23
25	Pulley	T7-P25