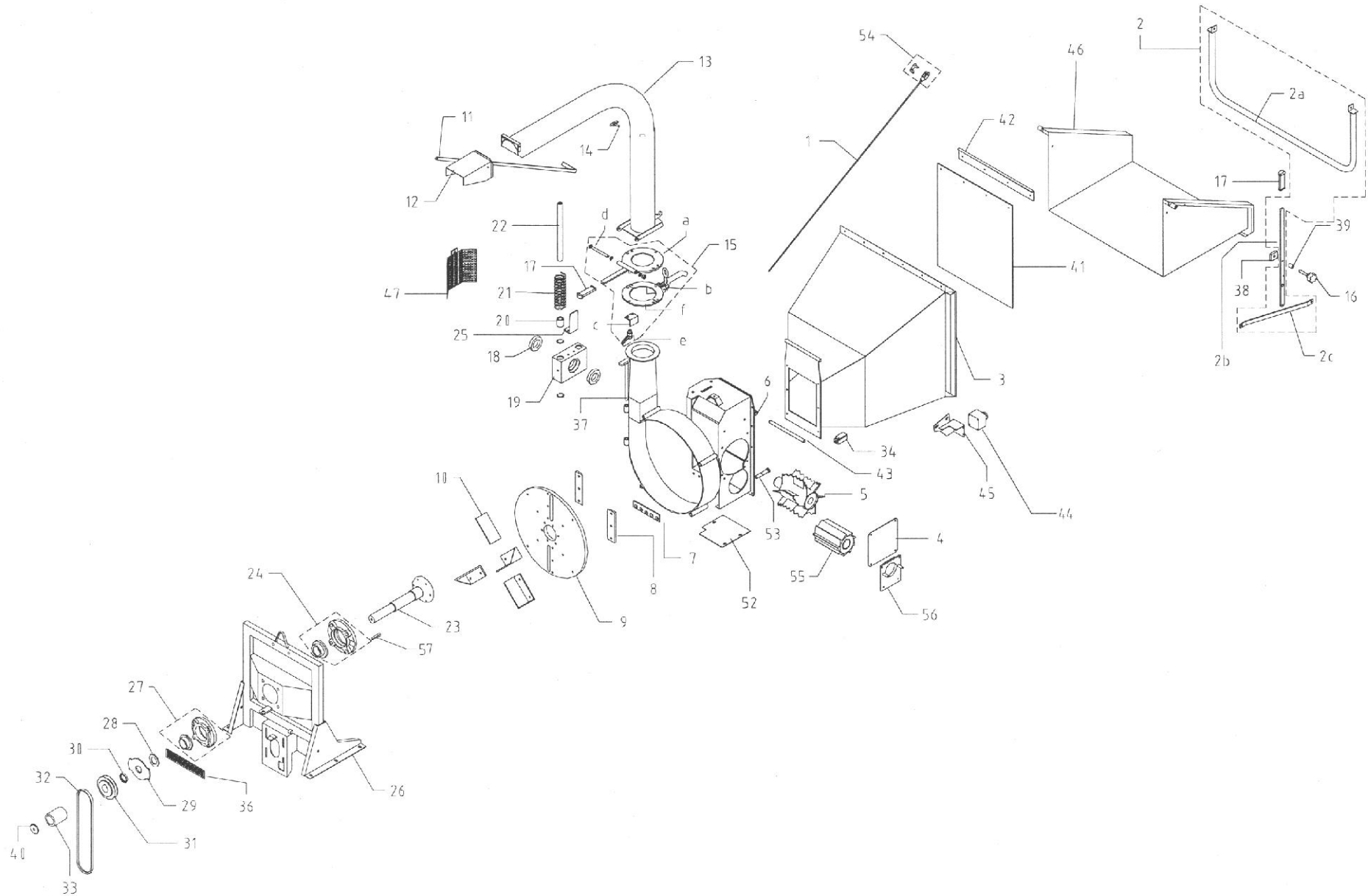


C275P WOOD CHIPPER

PARTS DIAGRAMS

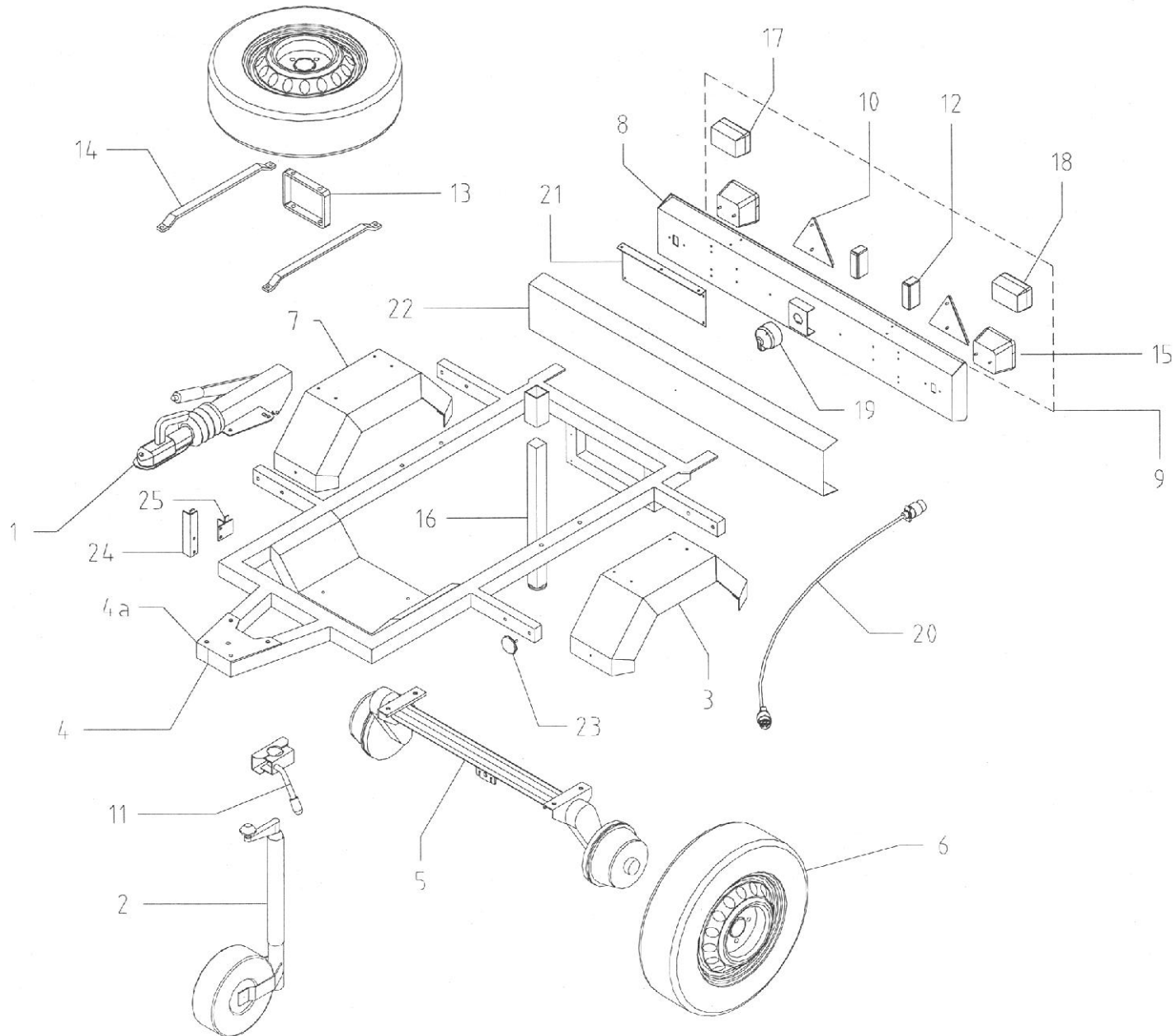


CAMON C275D WOOD CHIPPER



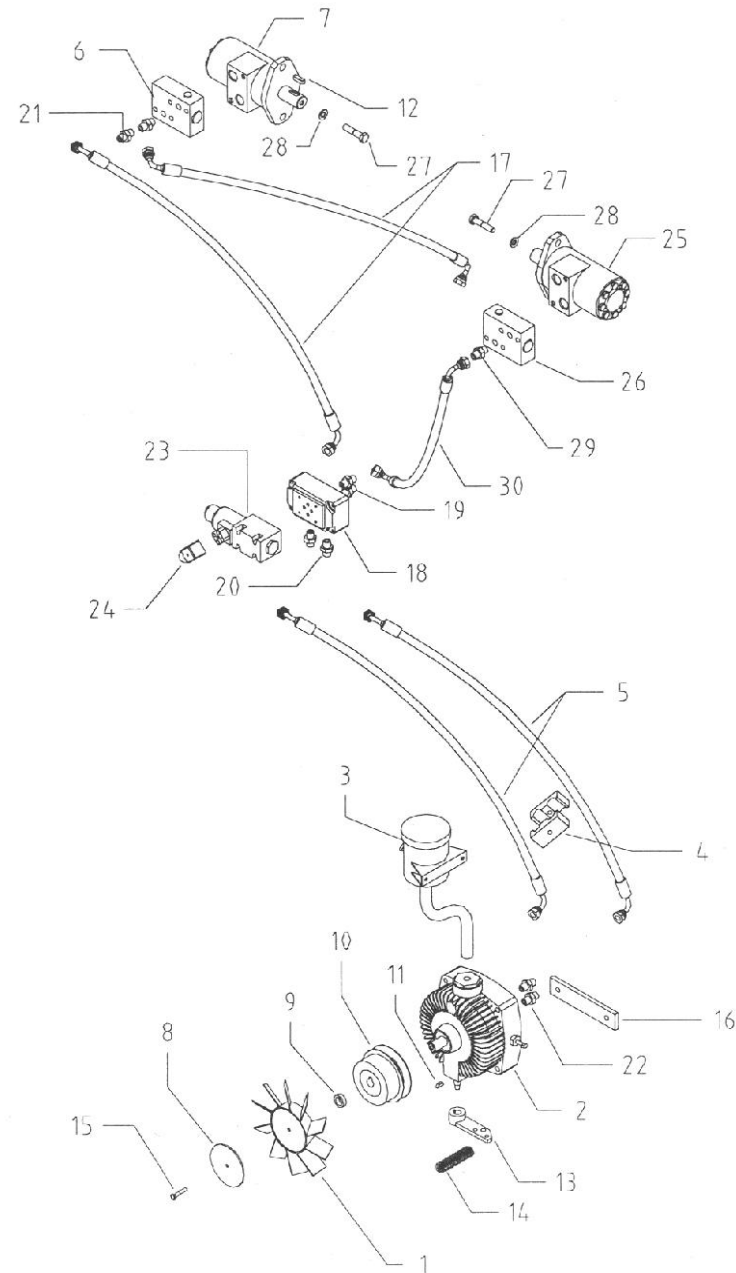
Diag No	Part No	Description	Qty	Diag No	Part No	Description	Qty
1	CPI5010001	Cable	1	23	CPI5010023	Shaft	1
2	CPI5010002	Control Lever	1	24	CPI5010024	Bearing Assembly	1
2a	CPI5010002a	Bracket	1	25	CPI5010025	Guide Bracket	1
2b	CPI5010002b	Arm	1	26	CPI5010026	Main Frame	1
2c	CPI5010002c	Arm	1	27	CPI5010027	Bearing Assembly	1
3	CPI5010003	Chute	1	28	CPI5010028	Spacer	1
4	CPI5010004	Cover	1	29	CPI5010029	Slinger	1
5	CPI5010005	Top Feed Roller	1	30	CPI5010030	Spacer	1
6	CPI5010006	Roller Housing	1	31	CPI5010031	Pulley	1
7	CPI5010007	Fixed Blade	1	32	CPI5010032	Pump Belt	1
8	CPI5010008	Chipping Blade	2	33	CPI5010033	Spacer	1
9	CPI5010009	Chipper Disc	1	34	CPI5010034	Lock Out Switch	1
10	CPI5010010	Fan Blade	4	36	CPI5010036	Switch Bracket	1
11	CPI5010011	Rod	1	37	CPI5010037	Emergency Switch	1
12	CPI5010012	Reflector	1	38	CPI5010038	Back Plate	1
13	CPI5010013	Discharge Pipe	1	39	CPI5010039	Retaining Strap	1
14	CPI5010014	Knob	1	40	CPI5010040	Washer	1
15	CPI5010015	Csk Screw	1	41	CPI5010041	Flap	1
15a	CPI5010015a	Swivel Plate	1	42	CPI5010042	Retaining Strip	1
15b	CPI5010015b	Clamp Plate	1	43	CPI5010043	Pin	1
15c	CPI5010015c	Bracket	1	44	CPI5010044	Stop Switch	1
15d	CPI5010015d	Bolt	1	45	CPI5010045	Bracket	1
15e	CPI5010015e	Locking Lever	1	46	CPI5010046	Chute Extension	1
15f	CPI5010015f	Plate	1	47	CPI5010047	Shield	1
16	CPI5010016	Knob	2	48	CPI5010048	Bolt	1
17	CPI5010017	Grip	2	52	CPI5010052	Plate	1
18	CPI5010018	Bearing	2	53	CPI5010053	Bolt	5
19	CPI5010019	Slide Block	1	54	CPI5010054	Clevis	1
20	CPI5010020	Roller Bearing	4	55	CPI5010055	Bottom Roller	1
21	CPI5010021	Spring	2	56	CPI5010056	Mounting Plate	1
22	CPI5010022	Shaft	2	57	CPI0020045	Key	1

CAMON C275D WOOD CHIPPER



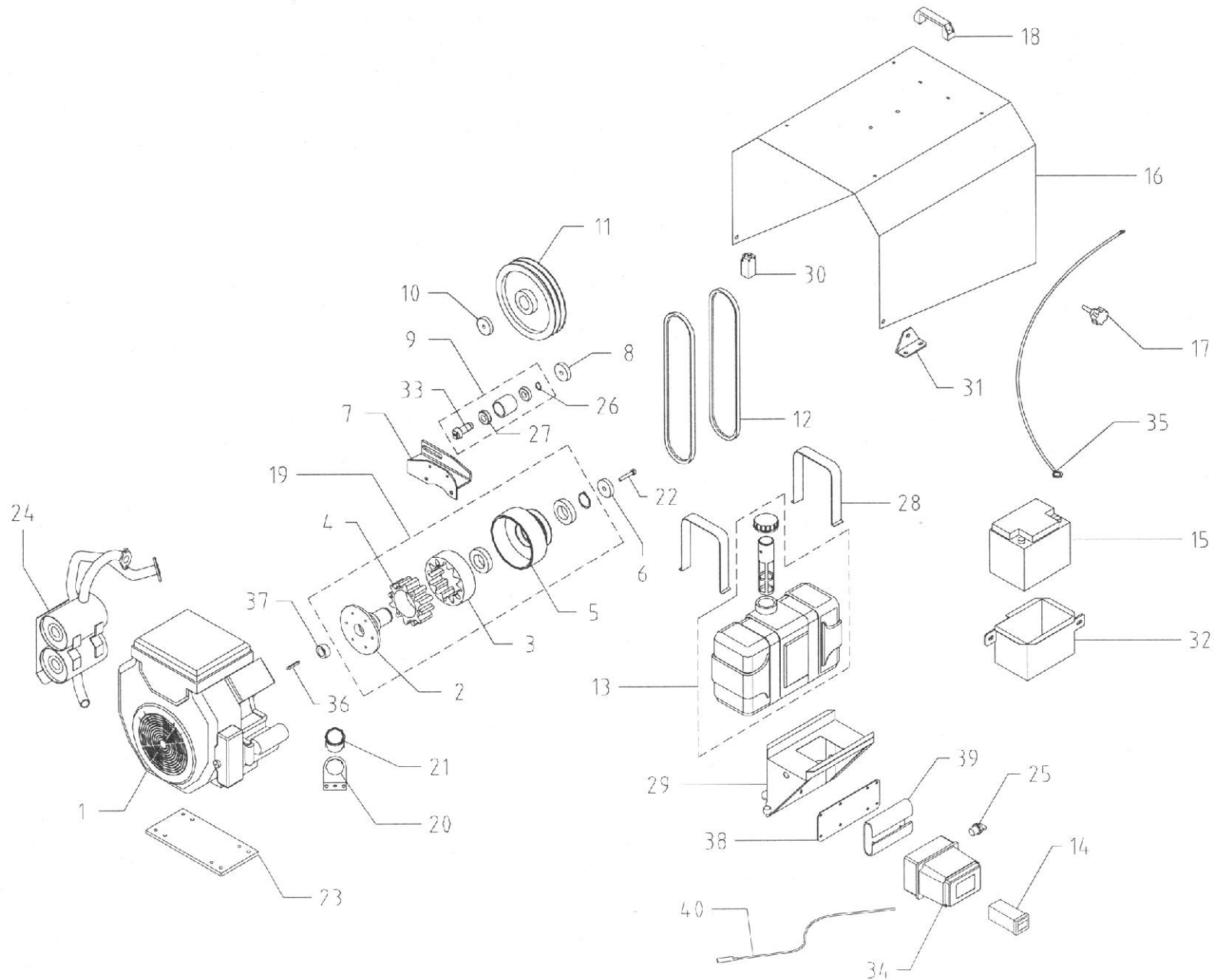
Diag No	Part No	Description	Qty
1	CPI5040001	Ball Hitch	1
2	CPI5040002	Jockey Wheel	1
3	CPI5040003	RH Mudguard	1
4	CPI5040004	Chassis - Petrol	1
4a	CPI5040004a	Chassis - Diesel	1
5	CPI5040005	Suspension Assembly	1
6	CPI5040006	Wheel & Tyre	3
7	CPI5040007	LH Mudguard	1
8	CPI5040008	Lighting Board	1
9	CPI5040009	Light Kit	1
10	CPI5040010	Reflector	2
11	CPI5040011	Bracket	1
12	CPI5040012	Number Plate Light	2
13	CPI5040013	Wheel Support	1
14	CPI5040014	Bracket	2
15	CPI5040015	Stop / Tail Lights	2
16	CPI5040016	Stabiliser Stand	1
17	CPI5040017	Fog Light	1
19	CPI5040019	Socket	1
20	CPI5040020	Cable Assembly	1
21	CPI5040021	Cover	1
22	CPI5040022	Cover	1
24	CPI5040024	Bracket	2
25	CPI5040025	Bracket	1

CAMON C275D WOOD CHIPPER



Diag No	Part No	Description	Qty
1	CPI5050001	Fan	1
2	CPI5050002	Pump	1
3	CPI5050003	Header Tank	1
4	CPI5050004	Bracket	1
5	CPI5050005	Hoses - Pump to Valve	1
6	CPI5050006	Connector Block	1
7	CPI5050007	Top Motor	1
8	CPI5050008	Washer	1
9	CPI5050009	Spacer	1
10	CPI5050010	Pulley	1
11	CPI5050011	Key	1
12	CPI5050012	Key	1
13	CPI5050013	Lever	1
14	CPI5050014	Spring	1
15	CPI5050015	Bolt	1
16	CPI5050016	Plate	1
17	CPI5050017	Hoses - Valve to Motor	1
18	CPI5050018	Valve Block	1
19	CPI5050019	Union	1
20	CPI5050020	Union	1
21	CPI5050021	Union	1
22	CPI5050022	Union	1
23	CPI5050023	Solenoid Assembly	1
24	CPI5050024	Connector	1
25	CPI5050025	Bottom Motor	1
26	CPI0050026	Connector Block	1
27	CPI0050027	Bolt	2
28	CPI0050028	Washer	2
29	CPI0050029	Union	2
30	CPI0050030	Hose	1

CAMON C275D WOOD CHIPPER



Diag No	Part No	Description	Qty	Diag No	Part No	Description	Qty
1	CPI5020001	Honda GX620 Engine	1	21	CPI5020021	Hour Counter	1
2	CPI5020002	Clutch Housing	1	22	CPI5020022	Bolt	1
3	CPI5020003	Clutch Rubber	1	23	CPI5020023	Engine Baseplate	1
4	CPI5020004	Centre Drive	1	24	CPI5020024	Exhaust	1
5	CPI5020005	Clutch Drum	1	25	CPI5020025	Switch	1
6	CPI5020006	Washer	1	26	CPI5020026	Circlip	1
7	CPI5020007	Bracket	1	27	CPI5020027	Bearing	2
8	CPI5020008	Washer	1	28	CPI5020028	Strap	2
9	CPI5020009	Roller	1	29	CPI5020029	Tank Bracket	1
10	CPI5020010	Washer	1	30	CPI5020030	Switch	1
11	CPI5020011	Pulley	1	31	CPI5020031	Bracket	2
12	CPI5020012	Belt	2	32	CPI5020032	Battery Box	1
13	CPI5020013	Fuel Tank	1	33	CPI5020033	Shaft	1
14	CPI5020014	Computer Box	1	34	CPI5020034	Control Box	1
15	CPI5020015	Battery	1	35	CPI5020035	Battery Cable	1
16	CPI5020016	Cover	1	36	CPI5020036	Key	1
17	CPI5020017	Knob	2	37	CPI5020037	Spacer	1
18	CPI5020018	Handle	1	38	CPI5020038	Bracket	1
19	CPI5020019	Clutch Assembly	1	39	CPI5020039	Rubber Mount	1
20	CPI5020020	Bracket	1	40	CPI5020040	Sensor and Cable	1