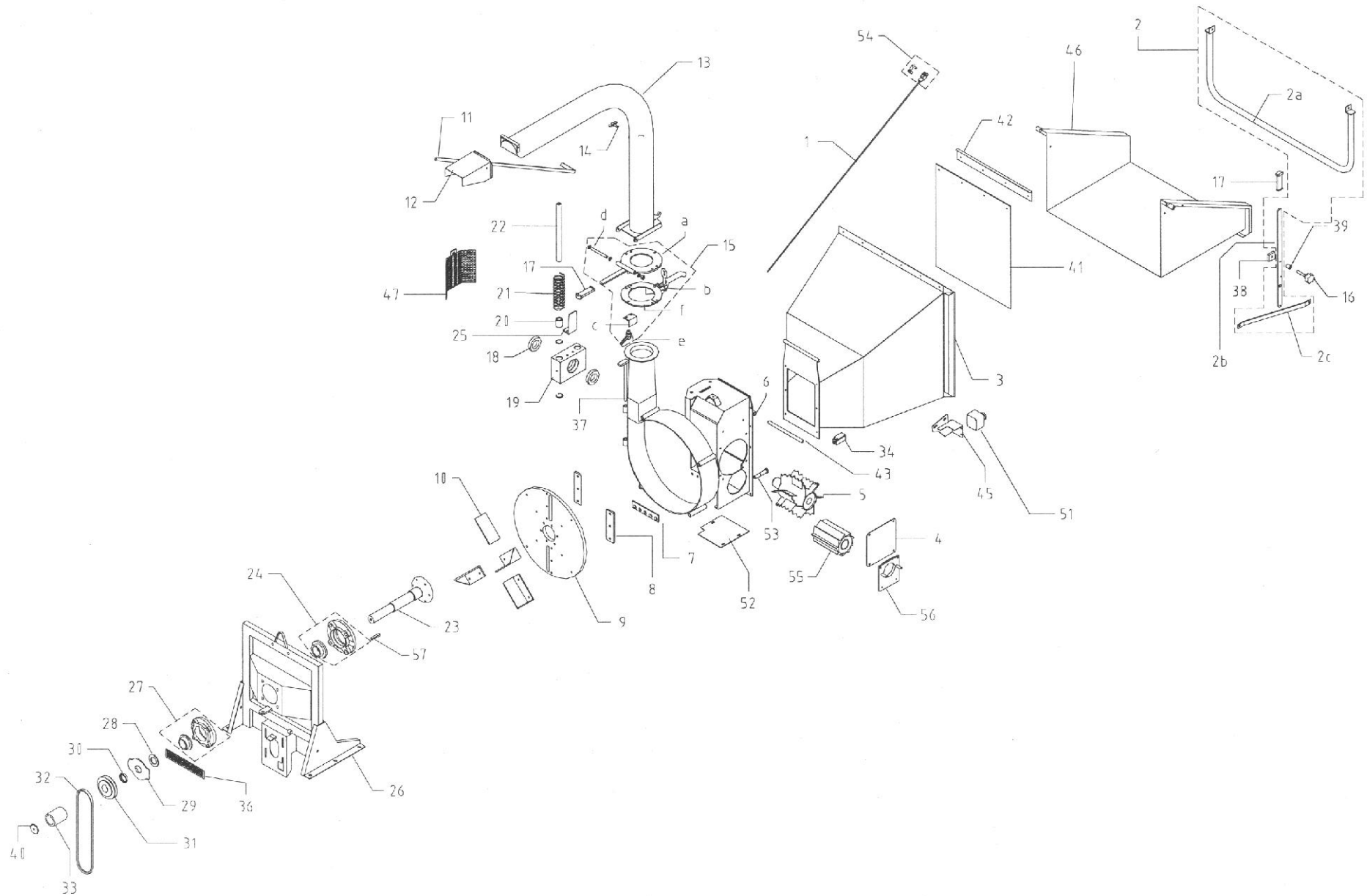


C275D WOOD CHIPPER

PARTS DIAGRAMS

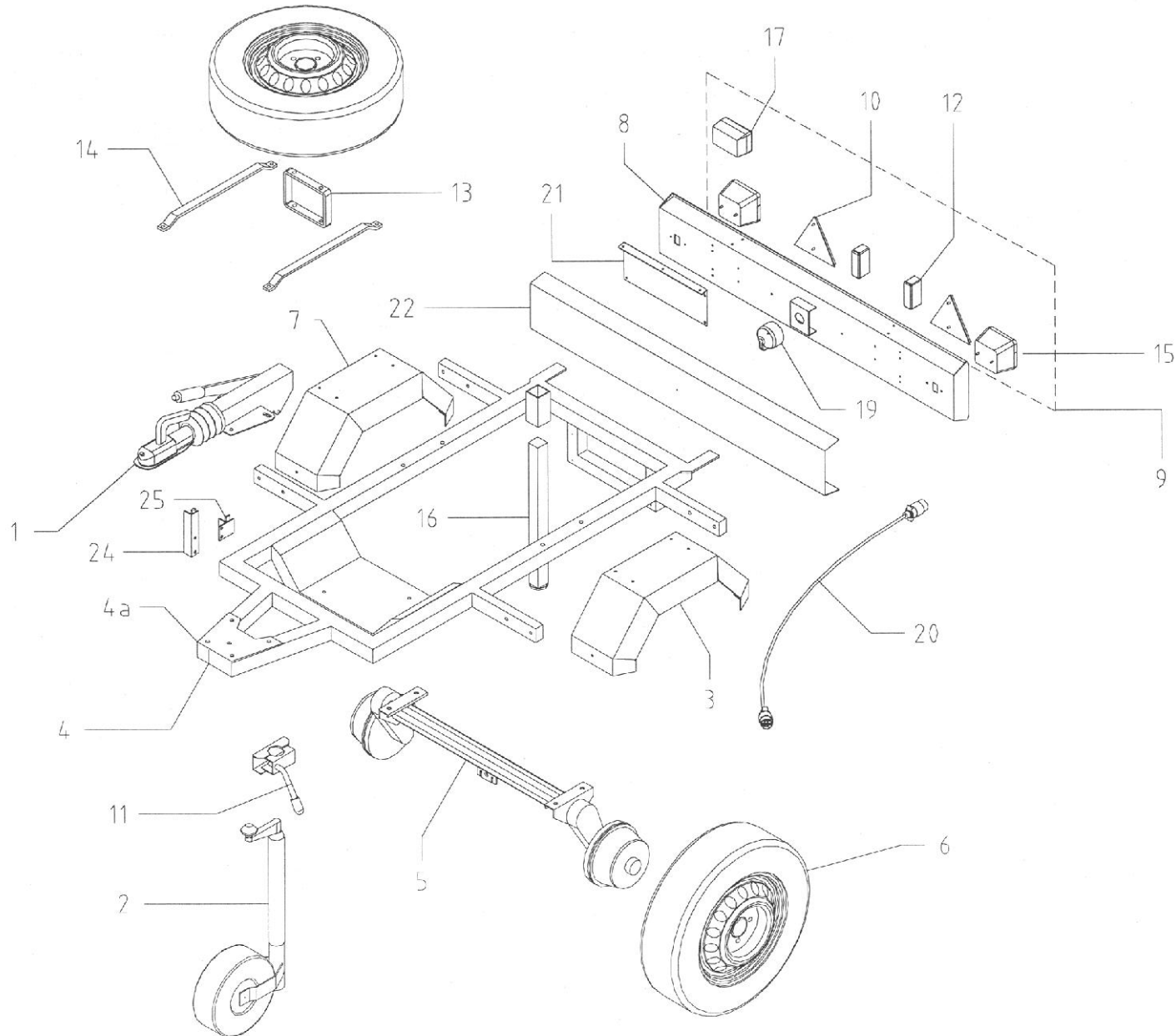


CAMON C275D WOOD CHIPPER



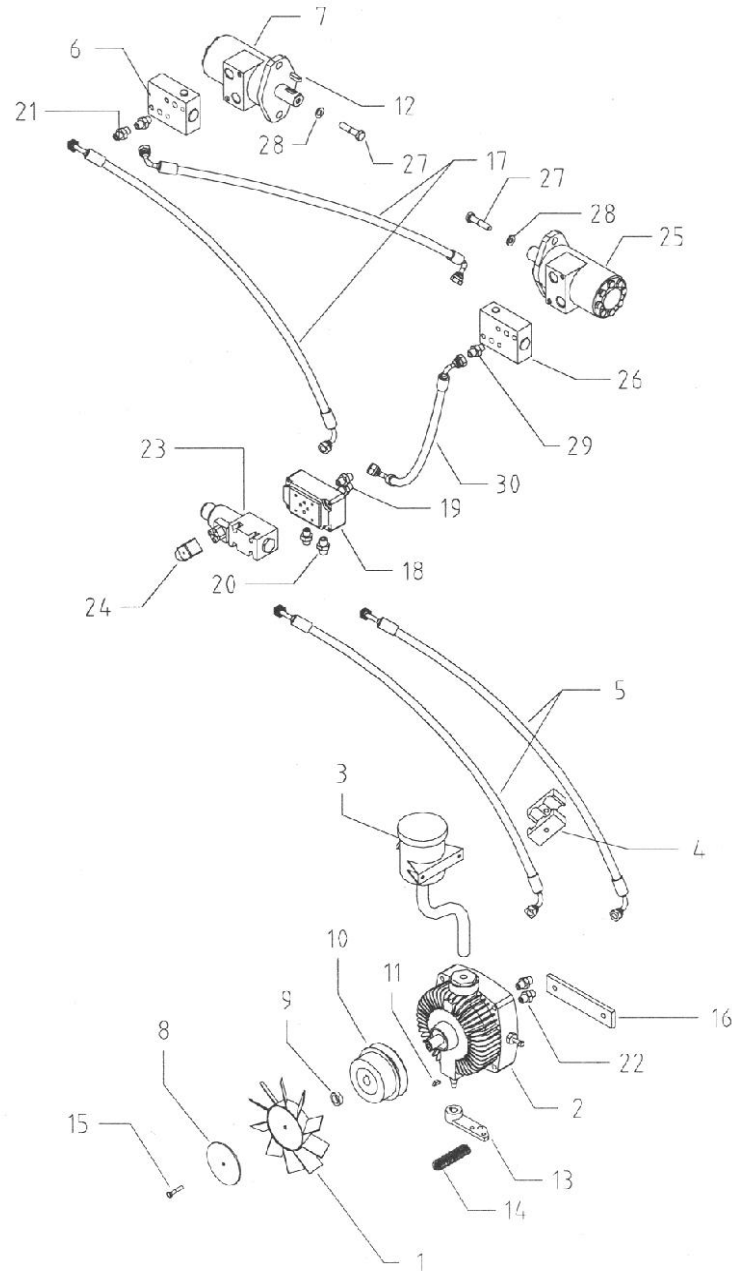
Diag No	Part No	Description	Qty	Diag No	Part No	Description	Qty
1	CPI5010001	Cable	1	23	CPI5010023	Shaft	1
2	CPI5010002	Control Lever	1	24	CPI5010024	Bearing Assembly	1
2a	CPI5010002a	Bracket	1	25	CPI5010025	Guide Bracket	1
2b	CPI5010002b	Arm	1	26	CPI5010026	Main Frame	1
2c	CPI5010002c	Arm	1	27	CPI5010027	Bearing Assembly	1
3	CPI5010003	Chute	1	28	CPI5010028	Spacer	1
4	CPI5010004	Cover	1	29	CPI5010029	Slinger	1
5	CPI5010005	Top Feed Roller	1	30	CPI5010030	Spacer	1
6	CPI5010006	Roller Housing	1	31	CPI5010031	Pulley	1
7	CPI5010007	Fixed Blade	1	32	CPI5010032	Pump Belt	1
8	CPI5010008	Chipping Blade	2	33	CPI5010033	Spacer	1
9	CPI5010009	Chipper Disc	1	34	CPI5010034	Lock Out Switch	1
10	CPI5010010	Fan Blade	4	36	CPI5010036	Switch Bracket	1
11	CPI5010011	Rod	1	37	CPI5010037	Emergency Switch	1
12	CPI5010012	Reflector	1	38	CPI5010038	Back Plate	1
13	CPI5010013	Discharge Pipe	1	39	CPI5010039	Retaining Strap	1
14	CPI5010014	Knob	1	40	CPI5010040	Washer	1
15	CPI5010015	Swivel Assembly	1	41	CPI5010041	Flap	1
15a	CPI5010015a	Swivel Plate	1	42	CPI5010042	Retaining Strip	1
15b	CPI5010015b	Clamp Plate	1	43	CPI5010043	Pin	1
15c	CPI5010015c	Bracket	1	45	CPI5010045	Bracket	1
15d	CPI5010015d	Bolt	1	46	CPI5010046	Chute Extension	1
15e	CPI5010015e	Locking Lever	1	47	CPI5010047	Shield	1
15f	CPI5010015f	Plate	1	48	CPI5010048	Bolt	1
16	CPI5010016	Knob	2	51	CPI5010051	Stop Switch	1
17	CPI5010017	Grip	2	52	CPI5010052	Plate	1
18	CPI5010018	Bearing	2	53	CPI5010053	Bolt	5
19	CPI5010019	Slide Block	1	54	CPI5010054	Clevis	1
20	CPI5010020	Roller Bearing	4	55	CPI5010055	Bottom Roller	1
21	CPI5010021	Spring	2	56	CPI5010056	Mounting Plate	1
22	CPI5010022	Shaft	2	57	CPI0020045	Key	1

CAMON C275D WOOD CHIPPER



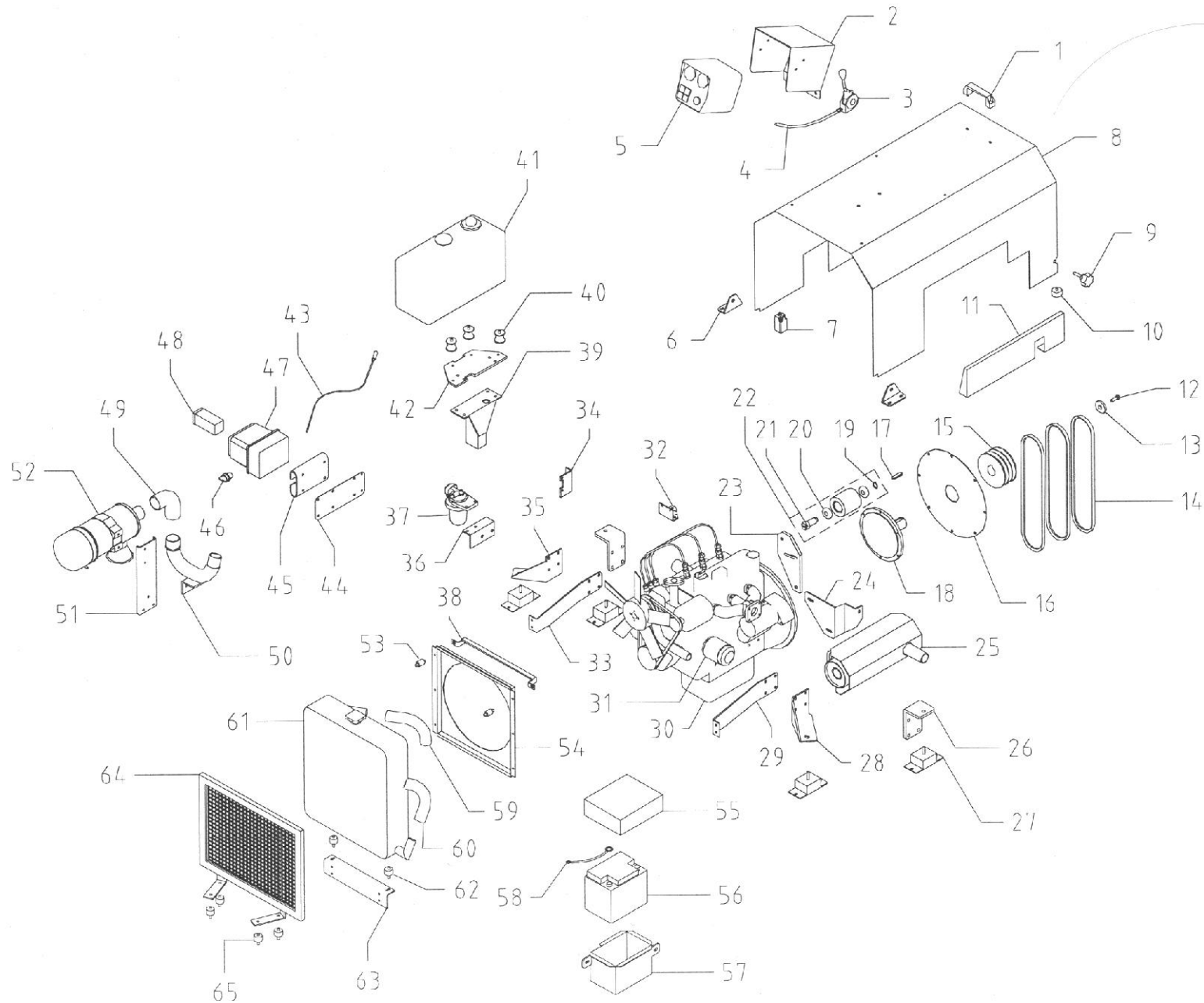
Diag No	Part No	Description	Qty
1	CPI5040001	Ball Hitch	1
2	CPI5040002	Jockey Wheel	1
3	CPI5040003	LH Mudguard	1
4	CPI5040004	Chassis - Petrol	1
4a	CPI5040004a	Chassis - Diesel	1
5	CPI5040005	Suspension Assembly	1
6	CPI5040006	Wheel & Tyre	3
7	CPI5040007	RH Mudguard	1
8	CPI5040008	Lighting Board	1
9	CPI5040009	Light Kit	1
10	CPI5040010	Reflector	2
11	CPI5040011	Bracket	1
12	CPI5040012	Number Plate Light	2
13	CPI5040013	Wheel Support	1
14	CPI5040014	Bracket	2
15	CPI5040015	Stop / Tail Lights	2
16	CPI5040016	Stabiliser Stand	1
17	CPI5040017	Fog Light	1
19	CPI5040019	Socket	1
20	CPI5040020	Cable Assembly	1
21	CPI5040021	Cover	1
22	CPI5040022	Cover	1
24	CPI5040024	Bracket	2
25	CPI5040025	Bracket	1

CAMON C275D WOOD CHIPPER



Diag No	Part No	Description	Qty
1	CPI5050001	Fan	1
2	CPI5050002	Pump	1
3	CPI5050003	Header Tank	1
4	CPI5050004	Bracket	1
5	CPI5050005	Hoses - Pump to Valve	1
6	CPI5050006	Connector Block	1
7	CPI5050007	Top Motor	1
8	CPI5050008	Washer	1
9	CPI5050009	Spacer	1
10	CPI5050010	Pulley	1
11	CPI5050011	Key	1
12	CPI5050012	Key	1
13	CPI5050013	Lever	1
14	CPI5050014	Spring	1
15	CPI5050015	Bolt	1
16	CPI5050016	Plate	1
17	CPI5050017	Hoses - Valve to Motor	1
18	CPI5050018	Valve Block	1
19	CPI5050019	Union	1
20	CPI5050020	Union	1
21	CPI5050021	Union	1
22	CPI5050022	Union	1
23	CPI5050023	Solenoid Assembly	1
24	CPI5050024	Connector	1
25	CPI5050025	Bottom Motor	1
26	CPI0050026	Connector Block	1
27	CPI0050027	Bolt	2
28	CPI0050028	Washer	2
29	CPI0050029	Union	2
30	CPI0050030	Hose	1

CAMON C275D WOOD CHIPPER



Diag No	Part No	Description	Qty	Diag No	Part No	Description	Qty
1	CPI5080001	Handle	1	34	CPI5080034	Throttle Bracket	1
2	CPI5080002	Cover	1	35	CPI5080035	Engine Bracket	1
3	CPI5080003	Throttle Assembly	1	36	CPI5080036	Filter Bracket	1
4	CPI5080004	Throttle Cable	1	37	CPI5080037	Fuel Filter	1
5	CPI5080005	Instrument Panel	1	38	CPI5080038	Support	1
6	CPI5080006	Bracket	2	39	CPI5080039	Tank Support	1
7	CPI5080007	Switch	1	40	CPI5080040	Rubber Mounts	4
8	CPI5080008	Engine Cover	1	41	CPI5080041	Fuel Tank	1
9	CPI5080009	Knob	2	42	CPI5080042	Support Plate	1
10	CPI5080010	Rubber Foot	2	43	CPI5080043	Sensor and Cable	1
11	CPI5080011	Cover	1	44	CPI5080044	Bracket	1
12	CPI5080012	Bolt	1	45	CPI5080045	Rubber Mount	1
13	CPI5080013	Washer	1	46	CPI5080046	Switch	1
14	CPI5080014	Belt	3	47	CPI5080047	Control Box	1
15	CPI5080015	Engine Pulley	1	48	CPI5080048	Computer Unit	1
16	CPI5080016	Cover Plate	1	49	CPI5080049	Elbow	1
17	CPI5080017	Key	1	50	CPI5080050	Hose	1
18	CPI5080018	Drive Shaft	1	51	CPI5080051	Bracket	1
19	CPI5080019	Circlip	1	52	CPI5080052	Air Filter	1
20	CPI5080020	Bearing	2	53	CPI5080053	Rubber Mount	2
21	CPI5080021	Shaft	1	54	CPI5080054	Fan Cover	1
22	CPI5080022	Tensioner Assembly	1	55	CPI5080055	Battery Cover	1
23	CPI5080023	Adjuster Bracket	1	56	CPI5080056	Battery	1
24	CPI5080024	Exhaust Bracket	1	57	CPI5080057	Battery Box	2
25	CPI5080025	Exhaust	1	58	CPI5080058	Battery Cable	1
26	CPI5080026	Engine Bracket	2	59	CPI5080059	Top Hose	1
27	CPI5080027	Mounting Foot	4	60	CPI5080060	Bottom Hose	1
28	CPI5080028	Engine Bracket	1	61	CPI5080061	Radiator	1
29	CPI5080029	Radiator Bracket	1	62	CPI5080062	Rubber Mount	2
30	CPI5080030	Kubota Engine	1	63	CPI5080063	Bracket	1
31	CPI5080031	Oil Filter	1	64	CPI5080064	Guard	1
32	CPI5080032	Support	1	65	CPI5080065	Rubber Mount	4
33	CPI5080033	Radiator Bracket	1				