

# **CAMON**

# **ALL-IN-ONE CHIPPER MODEL C50**

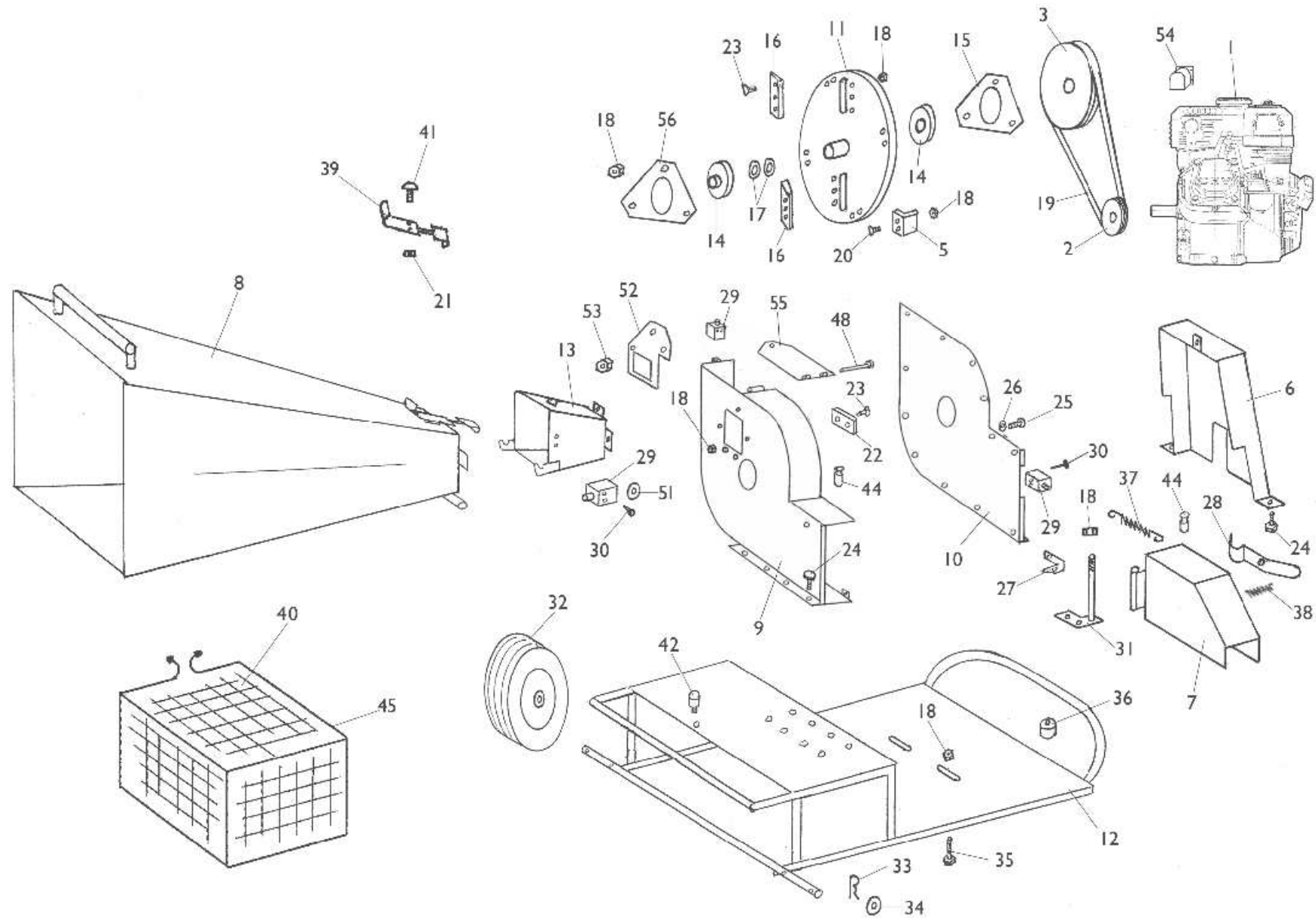
## **PARTS DIAGRAMS (from serial number 50250)**



Tracmaster Ltd, Victoria Road, Burgess Hill RH15 9LÜ. F: 01444 871612 E: [spares@tracmaster.co.uk](mailto:spares@tracmaster.co.uk)

C50/0108

# CAMON C50 ALL-IN-ONE CHIPPER



<u>Diag No</u>	<u>Part No</u>	<u>Description</u>	<u>Qty</u>	<u>Diag No</u>	<u>Part No</u>	<u>Description</u>	<u>Qty</u>
1	480101	Honda GX160 QXQ4 Engine	1	27	480127	Hinge Bracket	1
2	480102	Engine Pulley	1	28	480128	Chute Latch	1
3	480103	Rotor Pulley	1	29	480129	Lock-Out Switch	3
5	480105	Fan Blade	4	30	480130	Screw	2
6	480106	Belt Cover	1	31	480131	Swivel Post	1
7	480107	Discharge Chute	1	32	480132	Wheel	2
8	480108	Chipping Chute	1	33	58002052	'R' Clip	4
9	480109	L H Rotor Housing	1	34	480134	Washer	4
10	480110	R H Rotor Housing	1	35	31112154	Bolt	4
11	480111	Rotor Disc	1	36	013900000	Rubber Foot	2
12	480112	Chassis	1	37	58049942	Spring	1
13	480113	Chute Bracket	1	38	58057232	Spring	1
14	000829382	Shaft Bearing	2	39	480139	Latch	1
15	550002125B	Bearing Carrier (belt side)	1	40	480140	Collector Bag	1
16	013300800	Chipping Blade	2	41	31112090	Bolt	2
17	080009060	Shim	As req'd	42	480142	Buffer	1
18	31241080	Nut	30	44	480144	Post	2
19	480119	Drive Belt	1	45	480145	Bag Frame	1
20	480120	CSK Screw	8	48	480148	Capscrew	1
21	31241060	Nut	20	51	480151	Washer	4
22	013000080	Fixed Blade	1	52	480152	Baffle Plate	1
23	500011008	CSK Bolt	8	53	480153	M8 Nyloc 'T'	3
24	31112150	Bolt	10	54	18342-733-010	Exhaust Deflector GX160	1
25	480125	Capscrew	10	55	480155	Rotor Cover	1
26	31423084	Washer	29	56	480156	Bearing Carrier (chipping side)	1