

1003D

Diag. No.	Description	Qty	Part No.
1	Fan	1	CPI0050001
2	Hydraulic Pump	1	CPI0050002
3	Header Tank	1	CPI0050003
4	Bracket	1	CPI0050004
5	Hose	2	CPI0050005
6	Connector Block	1	CPI0050006
7	Hydraulic Motor	1	CPI0050007
8	Washer	1	CPI0050008
9	Spacer	1	CPI0050009
10	Pulley	1	CPI0050010
11	Key	1	CPI0050011
12	Key	1	CPI0050012
13	Lever	1	CPI0050013
14	Spring	1	CPI0050014
15	Bolt	1	CPI0050015
16	Plate	1	CPI0050016
17	Hose	2	CPI0050017
18	Valve Block	1	CPI0050018
19	Connector	1	CPI0050019
20	Connector	1	CPI0050020
21	Connector	1	CPI0050021
22	Connector	1	CPI0050022
23	Solenoid Valve	1	CPI0050023
24	Connector	1	CPI0050024



Teknol House, Victoria Road, Burgess Hill RH15 9LH

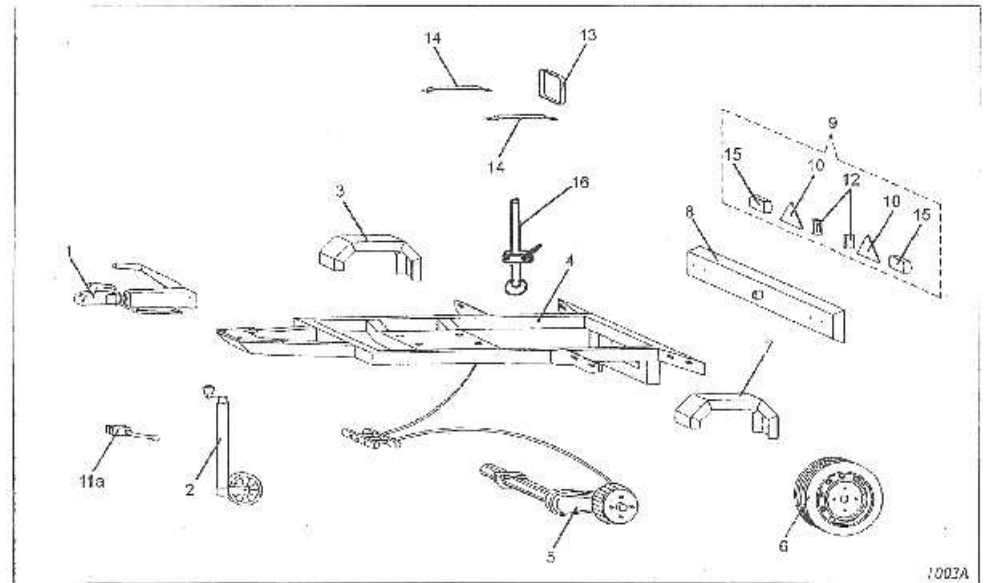
Tel: 01444 247689 Fax: 01444 871612

Website: www.tracmaster.co.uk E-mail: info@tracmaster.co.uk

C250P/PD/1003

# CAMON C250 Wood Chipper

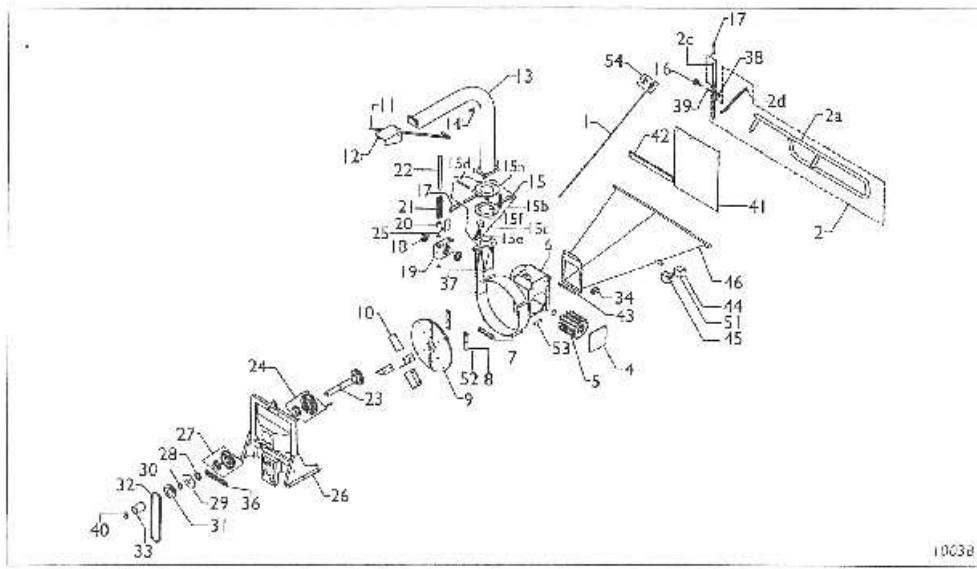
## Parts Diagrams - Petrol Model



1003A

Diag. No.	Description	Qty	Part No.
1	Ball Hitch	1	CPI0040001
2	Jockey Wheel	1	CPI0040002
3	RH Mudguard	1	CPI0040003
4	Chassis - Petrol	1	CPI0040004
5	Suspension Assembly	1	CPI0040005
6	Wheel & Tyre	3	CPI0040006
7	LH Mudguard	1	CPI0040007
8	Lighting Board	1	CPI0040008
9	Light Kit	1	CPI0040009
10	Reflector	2	CPI0040010
11	Bracket	1	CPI0040011
12	Number Plate Light	2	CPI0040012
13	Wheel Support	1	CPI0040013
14	Bracket	2	CPI0040014
15	Stop / Tail Lights	2	CPI0040015
16	Stabiliser Stand	1	CPI0040016

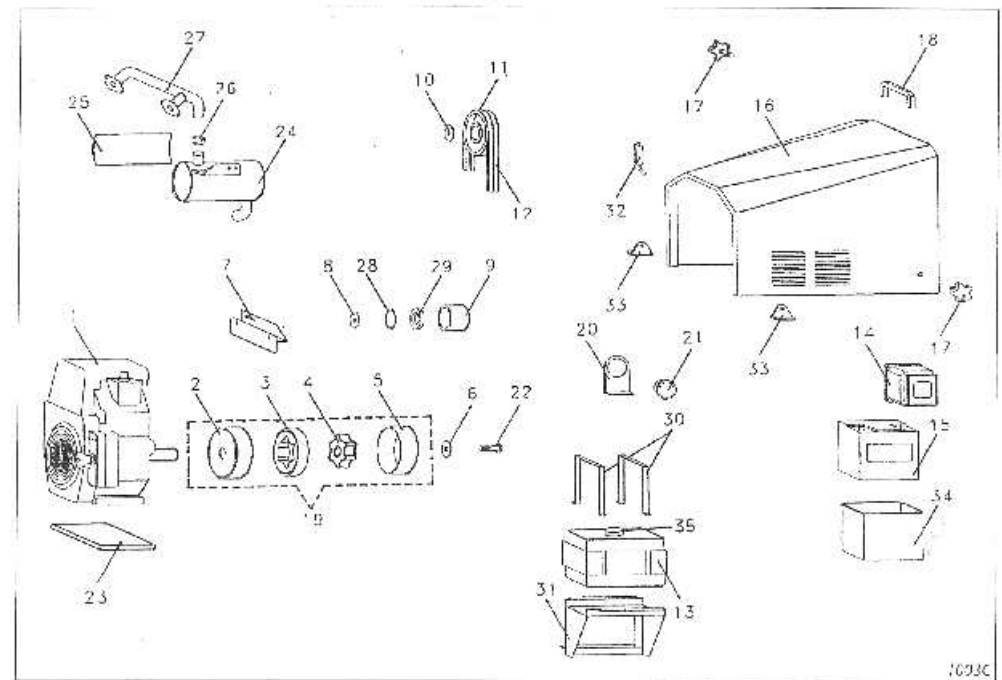
Tracmaster Ltd Tel: 01444 247689 Fax: 01444 871612



10038

No.	Description	Qty	Part No.	No.	Description	Qty	Part No.
1	Operating Cable	1	CP10010001	22	Slider Rod	2	CP10010022
2a	Operating Lever	1	CP10010002A	23	Shaft	1	CP10010023
2c	Control Lever	1	CP10010002C	24	Bearing Assembly	1	CP10010024
2d	Link Arm	1	CP10010002D	25	Guide Plate	1	CP10010025
4	Cover Plate	1	CP10010004	26	Main Frame	1	CP10010026
5	Feed Roller	1	CP10010005	27	Rotor Shaft Bearing	1	CP10010027
6	Rotor Housing	1	CP10010006	28	Spacer	1	CP10010028
7	Fixed Blade	1	CP10010007	29	Disc	1	CP10010029
8	Chipping Blade	2	CP10010008	30	Spacer	1	CP10010030
9	Rotor Disc	1	CP10010009	31	Pulley	1	CP10010031
10	Fan Blades	4	CP10010010	32	Pump Belt	1	CP10010032
11	Rod	1	CP10010011	33	Spacer	1	CP10010033
12	Deflector	1	CP10010012	34	Lock-Out Switch	1	CP10010034
13	Discharge Pipe	1	CP10010013	36	Plate	1	CP10010036
14	Knob	1	CP10010014	37	Hinge Pin	1	CP10010037
15	Swivel Assembly	1	CP10010015	38	Lock Plate	1	CP10010038
15a	Top Flange	1	CP10010015A	39	Spacer	1	CP10010039
15b	Centre Flange	1	CP10010015B	40	Washer	1	CP10010040
15c	Bracket	1	CP10010015C	41	Flap	1	CP10010041
15d	Bolt	1	CP10010015D	42	Retaining Plate	1	CP10010042
15e	Adj. Knob	1	CP10010015E	43	Hinge Pin	1	CP10010043
16	Knob	2	CP10010016	44	Stop Switch (Petrol)	1	CP10010044
17	Grip	2	CP10010017	45	Switch Bracket	1	CP10010045
18	Bearing	2	CP10010018	46	Infeed Chute	1	CP10010046
19	Slide Block	1	CP10010019	51	Stop Switch (Diesel)	1	CP10010051
20	Roller Bearing	4	CP10010020	52	Reversible Blade	2	CP10010052
21	Spring	2	CP10010021	53	Bolt	5	CP10010053

Tracmaster Ltd Tel: 01444 247689 Fax: 01444 871612



10039

No.	Description	Qty	Part No.	No.	Description	Qty	Part No.
1	Honda GX620	1	CP10020001	19	Clutch Assembly	1	CP10020019
2	Clutch Housing	1	CP10020002	20	Bracket	1	CP10020020
3	Clutch Rubber	1	CP10020003	21	Hour Counter	1	CP10020021
4	Centre Drive	1	CP10020004	22	Bolt	1	CP10060022
5	Clutch Drum	1	CP10020005	23	Engine Baseplate	1	CP10020023
6	Washer	1	CP10020006	24	Exhaust	1	CP10020024
7	Bracket	1	CP10020007	25	Shield	1	CP10020025
8	Washer	1	CP10020008	26	Clamp	1	CP10020026
9	Roller	1	CP10020009	27	Manifold	1	CP10020027
10	Washer	1	CP10020010	28	Circlip	1	CP10020028
11	Pulley	1	CP10020011	29	Bearing	1	CP10020029
12	Belt	2	CP10020012	30	Bracket	2	CP10020030
13	Fuel Tank	1	CP10020013	31	Tank Base	1	CP10020031
14	Control Box	1	CP10020014	32	Lock-Out Switch	1	CP10020032
15	Battery	1	CP10020015	33	Bracket	2	CP10020033
16	Cover	1	CP10020016	34	Battery Box	1	CP10020034
17	Knob	2	CP10020017	35	Fuel Filler Cap	1	CP10020035
18	Handle	1	CP10020018				

Tracmaster Ltd Tel: 01444 247689 Fax: 01444 871612