

1003D

Diag. No.	Description	Qty	Part No.
1	Fan	1	CPI0050001
2	Hydraulic Pump	1	CPI0050002
3	Header Tank	1	CPI0050003
4	Bracket	1	CPI0050004
5	Hose	2	CPI0050005
6	Connector Block	1	CPI0050006
7	Hydraulic Motor	1	CPI0050007
8	Washer	1	CPI0050008
9	Spacer	1	CPI0050009
10	Pulley	1	CPI0050010
11	Key	1	CPI0050011
12	Key	1	CPI0050012
13	Lever	1	CPI0050013
14	Spring	1	CPI0050014
15	Bolt	1	CPI0050015
16	Plate	1	CPI0050016
17	Hose	2	CPI0050017
18	Valve Block	1	CPI0050018
19	Connector	1	CPI0050019
20	Connector	1	CPI0050020
21	Connector	1	CPI0050021
22	Connector	1	CPI0050022
23	Solenoid Valve	1	CPI0050023
24	Connector	1	CPI0050024



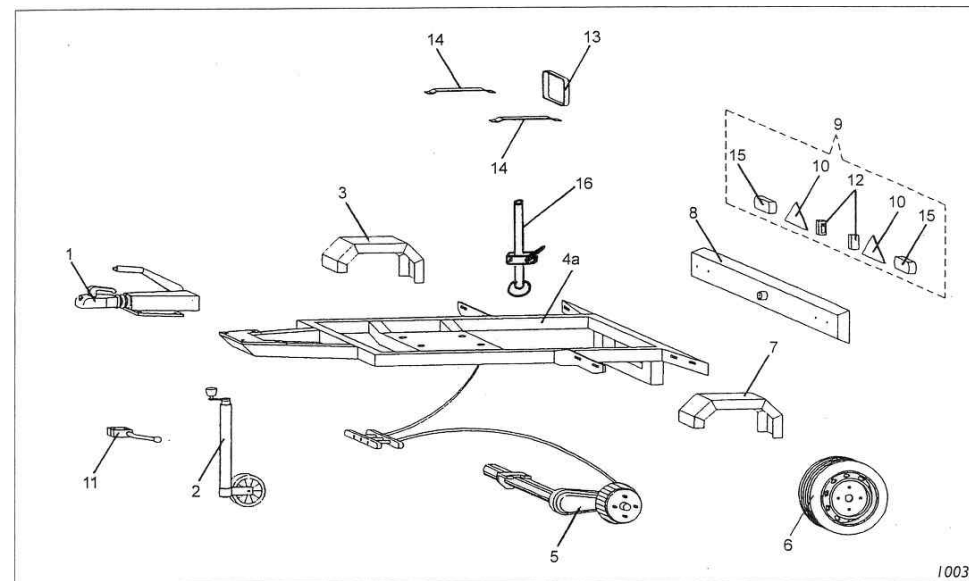
Teknol House, Victoria Road, Burgess Hill RH15 9LH

T: 01444 247689 F: 01444 871612 W: www.tracmaster.co.uk E: info@tracmaster.co.uk

C250D/PD/1003

CAMON C250 Wood Chipper

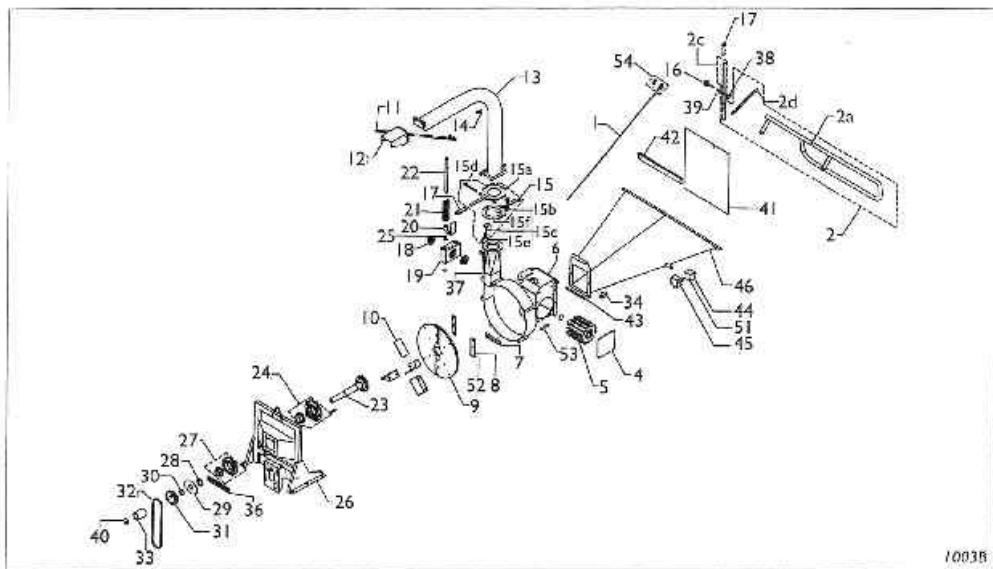
Parts Diagrams - Diesel Model



1003A

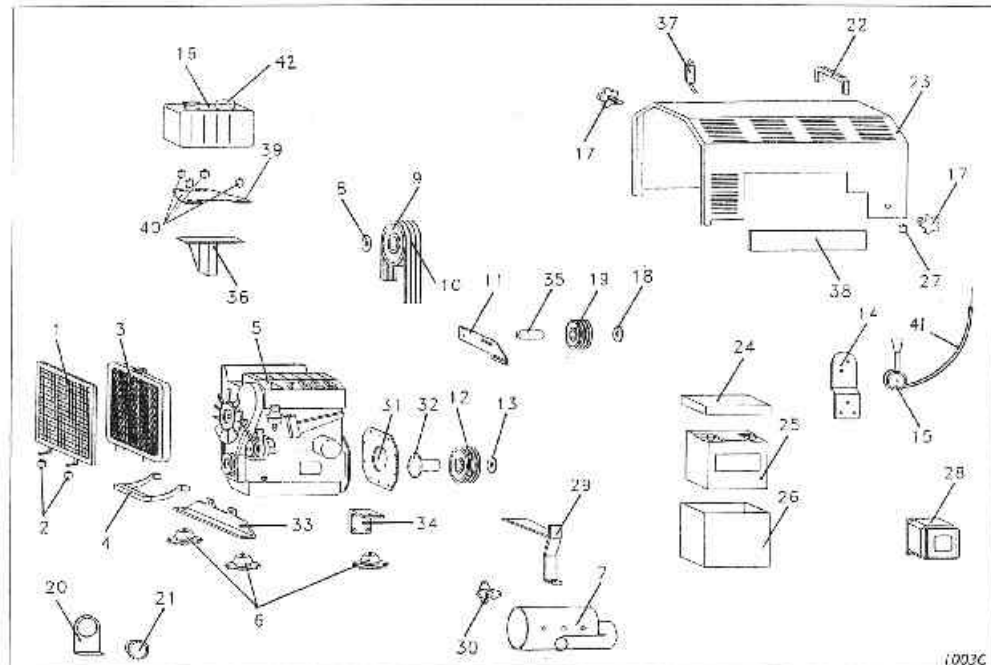
Diag. No.	Description	Qty	Part No.
1	Ball Hitch	1	CPI0040001
2	Jockey Wheel	1	CPI0040002
3	RH Mudguard	1	CPI0040003
4 a	Chassis - Diesel	1	CPI0040004A
5	Suspension Assembly	1	CPI0040005
6	Wheel & Tyre	3	CPI0040006
7	LH Mudguard	1	CPI0040007
8	Lighting Board	1	CPI0040008
9	Light Kit	1	CPI0040009
10	Reflector	2	CPI0040010
11	Bracket	1	CPI0040011
12	Number Plate Light	2	CPI0040012
13	Wheel Support	1	CPI0040013
14	Bracket	2	CPI0040014
15	Stop / Tail Lights	2	CPI0040015
16	Stabiliser Stand	1	CPI0040016

Tracmaster Ltd Tel: 01444 247689 Fax: 01444 871612



1003B

No.	Description	Qty	Part No.	No.	Description	Qty	Part No.
1	Operating Cable	1	CPI0010001	22	Slider Rod	2	CPI0010022
2a	Operating Lever	1	CPI0010002A	23	Shaft	1	CPI0010023
2c	Control Lever	1	CPI0010002C	24	Bearing Assembly	1	CPI0010024
2d	Link Arm	1	CPI0010002D	25	Guide Plate	1	CPI0010025
4	Cover Plate	1	CPI0010004	26	Main Frame	1	CPI0010026
5	Feed Roller	1	CPI0010005	27	Rotor Shaft Bearing	1	CPI0010027
6	Rotor Housing	1	CPI0010006	28	Spacer	1	CPI0010028
7	Fixed Blade	1	CPI0010007	29	Disc	1	CPI0010029
8	Chipping Blade	2	CPI0010008	30	Spacer	1	CPI0010030
9	Rotor Disc	1	CPI0010009	31	Pulley	1	CPI0010031
10	Fan Blades	4	CPI0010010	32	Pump Belt	1	CPI0010032
11	Rod	1	CPI0010011	33	Spacer	1	CPI0010033
12	Deflector	1	CPI0010012	34	Lock-Out Switch	1	CPI0010034
13	Discharge Pipe	1	CPI0010013	36	Plate	1	CPI0010036
14	Knob	1	CPI0010014	37	Hinge Pin	1	CPI0010037
15	Swivel Assembly	1	CPI0010015	38	Lock Plate	1	CPI0010038
15a	Top Flange	1	CPI0010015A	39	Spacer	1	CPI0010039
15b	Centre Flange	1	CPI0010015B	40	Washer	1	CPI0010040
15c	Bracket	1	CPI0010015C	41	Flap	1	CPI0010041
15d	Bolt	1	CPI0010015D	42	Retaining Plate	1	CPI0010042
15e	Adj. Knob	1	CPI0010015E	43	Hinge Pin	1	CPI0010043
16	Knob	2	CPI0010016	44	Stop Switch (Petrol)	1	CPI0010044
17	Grip	2	CPI0010017	45	Switch Bracket	1	CPI0010045
18	Bearing	2	CPI0010018	46	Infeed Chute	1	CPI0010046
19	Slide Block	1	CPI0010019	51	Stop Switch (Diesel)	1	CPI0010051
20	Roller Bearing	4	CPI0010020	52	Reversible Blade	2	CPI0010052
21	Spring	2	CPI0010021	53	Bolt	5	CPI0010053



1003C

No.	Description	Qty	Part No.	No.	Description	Qty	Part No.
1	Grille	1	CPI0060001	22	Handle	1	CPI0060022
2	Rubber Mounts	4	CPI0060002	23	Cover	1	CPI0060023
3	Radiator	1	CPI0060003	24	Battery Cover	1	CPI0060024
4	Bracket	1	CPI0060004	25	Battery	1	CPI0060025
5	FOCS Engine	1	CPI0060005	26	Battery Box	1	CPI0060026
6	Mounting Feet	4	CPI0060006	27	Rubber Foot	2	CPI0060027
7	Exhaust	1	CPI0060007	28	Control Box	1	CPI0060028
8	Washer	1	CPI0060008	29	Bracket	1	CPI0060029
9	Pulley	1	CPI0060009	30	Exhaust Mount	1	CPI0060030
10	Belt	3	CPI0060010	31	Flange	1	CPI0060031
11	Bracket	1	CPI0060011	32	Stub Shaft	1	CPI0060032
12	Pulley	1	CPI0060012	33	Front Support	1	CPI0060033
13	Washer	1	CPI0060013	34	Rear Support	2	CPI0060034
14	Throttle Bracket	1	CPI0060014	35	Shaft	1	CPI0060035
15	Throttle Lever	1	CPI0060015	36	Tank Bracket	1	CPI0060036
16	Fuel Tank	1	CPI0060016	37	Lock-Out Switch	1	CPI0060037
17	Knob	2	CPI0060017	38	Plate	1	CPI0060038
18	Washer	1	CPI0060018	39	Plate	1	CPI0060039
19	Jockey Pulley	1	CPI0060019	40	Rubber Foot	4	CPI0060040
20	Bracket	1	CPI0060020	41	Throttle Cable	1	CPI0060041
21	Hour Counter	1	CPI0060021	42	Fuel Tank Cap	1	9043.025