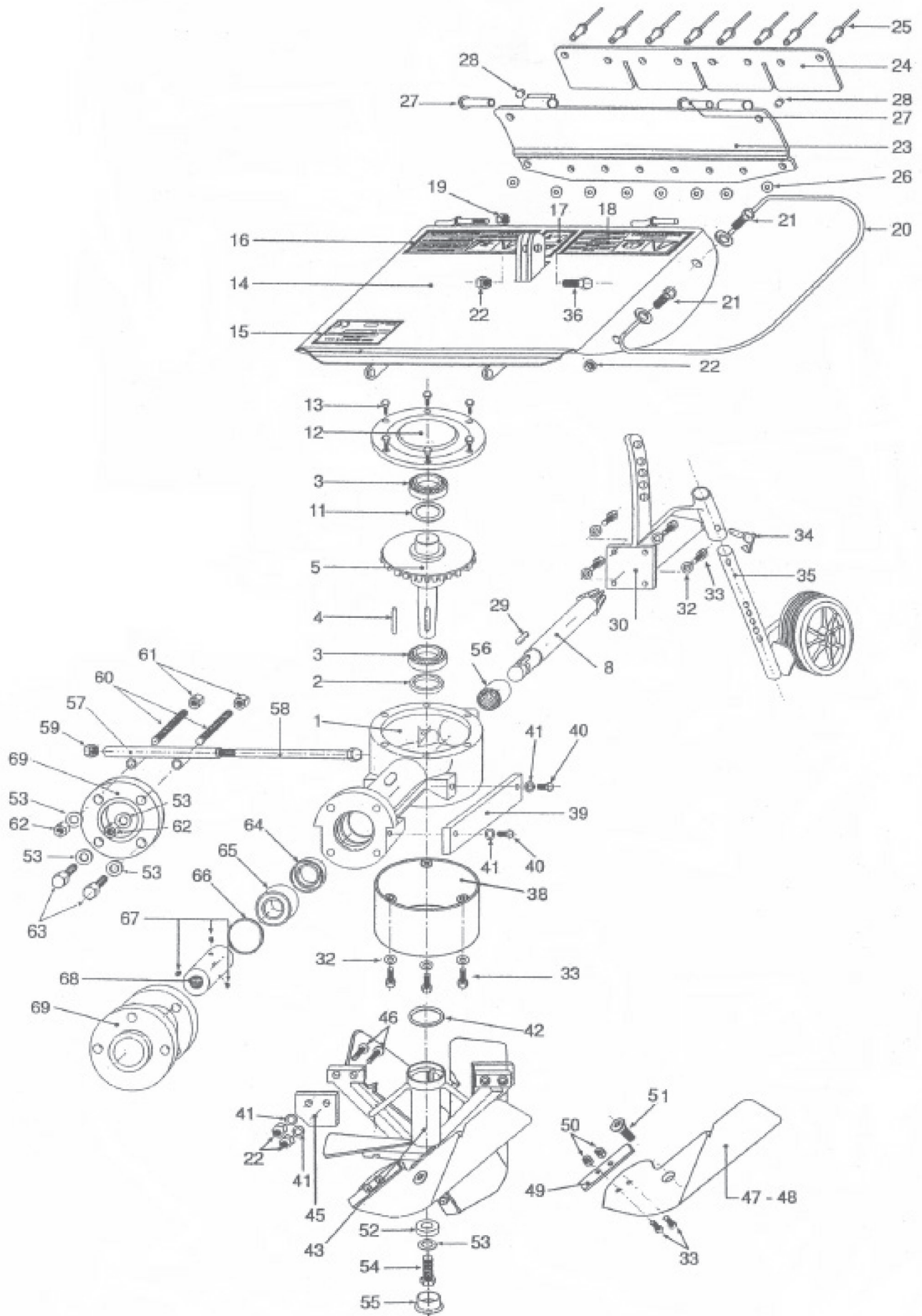


BERTA s.r.l.

Berta Rotary Plough



Berta Rotary Plough

Dia. No.	Part No.	Description	Qty
1	10001	Gear Box	1
2	6004	Oil Retainer 30x45x8	1
3	5010	Taper Roller Bearing 30206	2
4	10017	Key-Spline	1
5	10021	Vertical Shaft with Gear Wheel	1
8	10024	Pinion Gear	1
11	10018	Shim Adjustment Ring 30, 5x50x0,1	1
12	10002	Gear Box Cover	1
13	2003	Hexagon Head Screw M8x25 - DIN 933	6
14	10003	Main Protection Cover	1
15	1012	Label Product Identification CE	1
16	1004	Label "Warning Rotating Organs"	1
17	1005	Label "Keep Distance"	1
18	1013	Label "Read Instruction Manual"	1
19	3501	Self-Locking Nut M10 (low thickness) DIN 985	1
20	10019	Rod Iron for Lateral Safety Guard	1
21	2010	Hexagon Head Screw M10x20 - DIN 933	2
22	3003	Nut M10 (high thickness) DIN 5587	7
23	10004	Rear Articulated Cover	1
24	10005	Rubber Guard	1
25	7019	Rivet DIN 7337 \varnothing 3,9x12	8
26	4006	Washer 4,5x16x1,5	8
27	9035	Rubber Bush	2
28	8005	Rubber Buffer	2
29	7018	Key Spline 6x6x25	1
30	10006	Rear Right-Hand Support	1
32	4004	Inner Denticulate Washer for \varnothing 8 - DIN 6798 J	7
33	2017	Hexagon Head Screw M8x20 - DIN 933	15
34	8006	Fast Pin \varnothing 8x45	1
35	10008	Adjustable Rod with Wheel	1
36	2020	Hexagon Head Screw M10x30 - DIN 933	1
38	10009	Ring for Grass Anti-Rolling Up	1
39	10012	Fixed Blade for Grass Cutting	1
40	2008	Hexagon Head Screw M10x25 - DIN 933	2

Berta Rotary Plough

Dia. No.	Part No.	Description	Qty
41	4007	Inner Denticulate Washer for \varnothing 10 - DIN 6798 J	6
42	10020	Felt Washer	1
43	10010	Hub Supporting Plowshare (right-hand)	1
45	10013	Rotating Blade for Grass Cutting	2
46	2701	Flat and Socket Head Screw M10x35 - DIN 7991	4
47	10014	Right-Hand Plowshare	4
48	10015	Left-Hand Plowshare	4
49	10016	Changeable Tip	4
50	3004	Nut M8 (high thickness) UNI 5587	8
51	2702	Flat and Socket Head Screw M12x35 - DIN 7991	4
52	10027	Washer 12x35x10,5	1
53	4008	Inner Denticulate Washer for \varnothing 12 - DIN 6798 J	5
54	2021	Hexagon Head Screw M12x35 - DIN 931	1
55	8007	Plastic Cap	1
56	5011	Needle Bearing NK 28/20	1
57	10028	Hinge for Main Cover Protection	1
58	2021	Hexagon head Screw M12x200 - DIN 931	1
59	3506	Self-Locking Nut M12 (high thickness) DIN 982	1
60	8008	Stud Bolt M12x80	2
61	3005	Nut M12 (high thickness) UNI 5587	2
62	3006	Nut M12 (middle thickness) DIN 934	2
63	2022	Hexagon Head Screw M12x30 - DIN 933	2
64	6006	Oil Retainer 28x47x10	1
65	5005	Bearing 6205 2RS 28x47x10	1
66	7017	O-Ring 3187	1
67	7016	Grub-Screw M8x10 - DIN 914-45H	3
68	11003	Coupling Box	1
69	12001	Flange	1