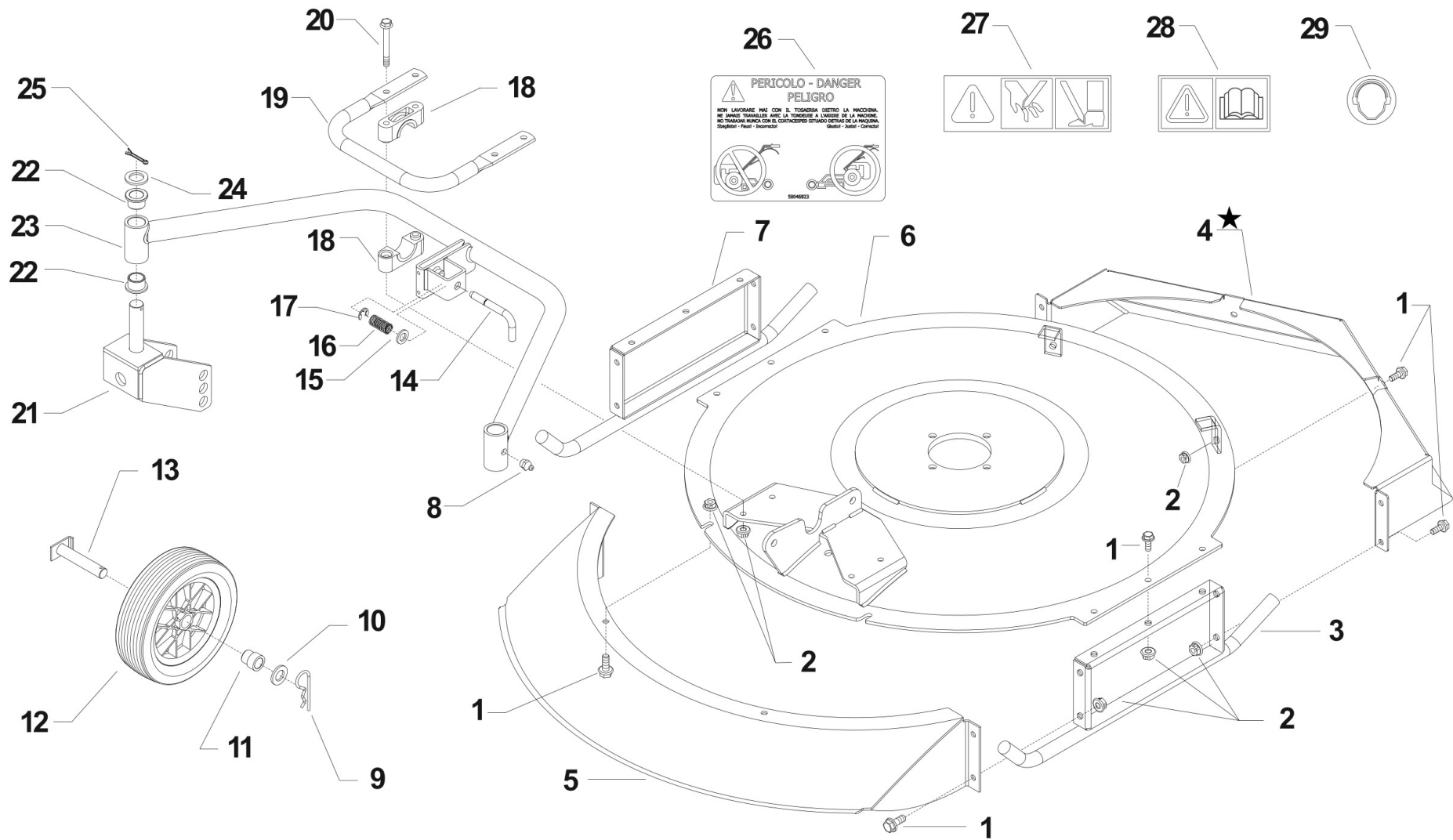




BCS Motor mowers, BCS 2-wheel tractors

MULCHING MOWER

29/09 2025



i = info - stop 2 sec. ★ = new part

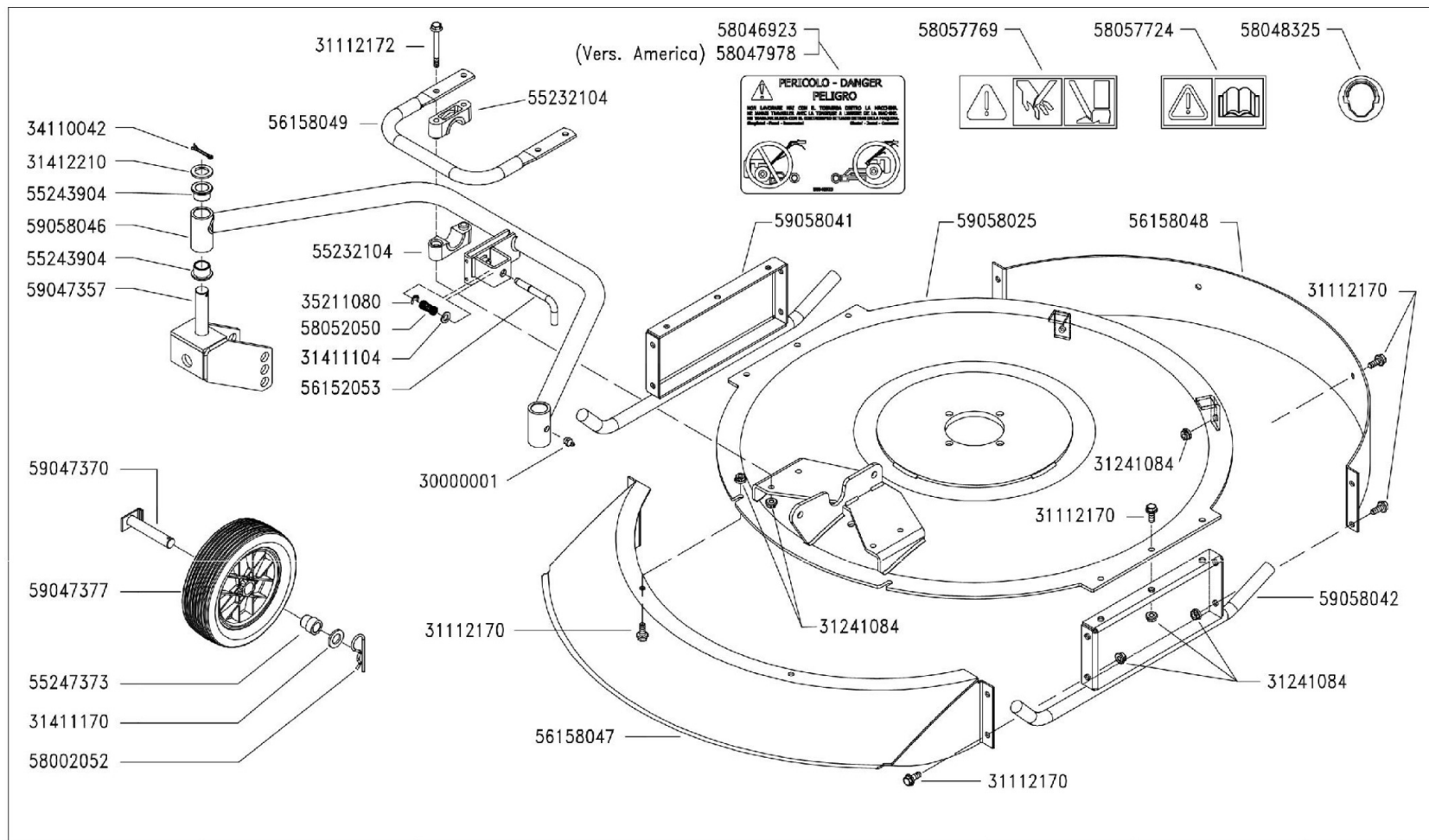


Pos.	Id	Q.ty	Description	Note
1	31112170		SCREW TE C/F M8X20 DIN 6921	
2	31241084		SELFLOCK NUT M8 6S	
3	59058042		BOX	
4	56158083N		BAFFLE	REPLACES 56158048
5	56158047		FRONT HOOD	
6	59058025		MOWER PLATE	
7	59058041		BOX	
8	30000001		LUBRICATOR M10	
9	58002052		PIN	
10	31411170		WASHER 17x30	
11	55247373		BUSHING	
12	59047377		WHEEL	
13	59047370		WHEEL SPINDLE	
14	56152053		PIN	
15	31411104		WASHER 10,5x18	
16	58052050		SPRING	
17	35211080		SEEGER RING E 8 UNI 7434	
18	55232104		DRAWBAR BEARING	
19	56158049		HANDLE	
20	31112172		SCREW TE C/F M8X70 DIN 6921	
21	59047357		COMPLETE FORK	
22	55243904		BUSHING	
23	59058046		SMALL WHEEL AXLE	
24	31412210		WASHER 21	
25	34110042		SPLIT PIN A4X30 UNI 1336	
26	58046923		DECAL	
26	58047978		DECAL	
27	58057769		DECAL	
28	58057724		DECAL	



Pos.	Id	Q.ty	Description	Note
29	58048325		DECAL	





	ATTREZZI ED ACCESSORI IMPLEMENTS AND ACCESSORIES OUTILS ET ACCESSOIRES APEROS Y ACCESORIOS ARBEITSGERÄTE UND ZUBEHÖR	TRINCIAERBA CM.80 H.D. HEAVY DUTY MOWER DESBROZADORA	BROYEUR SICHELMAEHER	DALL' ATTRF770 DESDE EL APERO DE L'OUTIL FROM IMPLEMENT AB ARBEITSGERAET	N.	38 11/2007	Rev. 0 DIT/ELGCS
--	--	--	-------------------------	--	----	---------------	------------------------

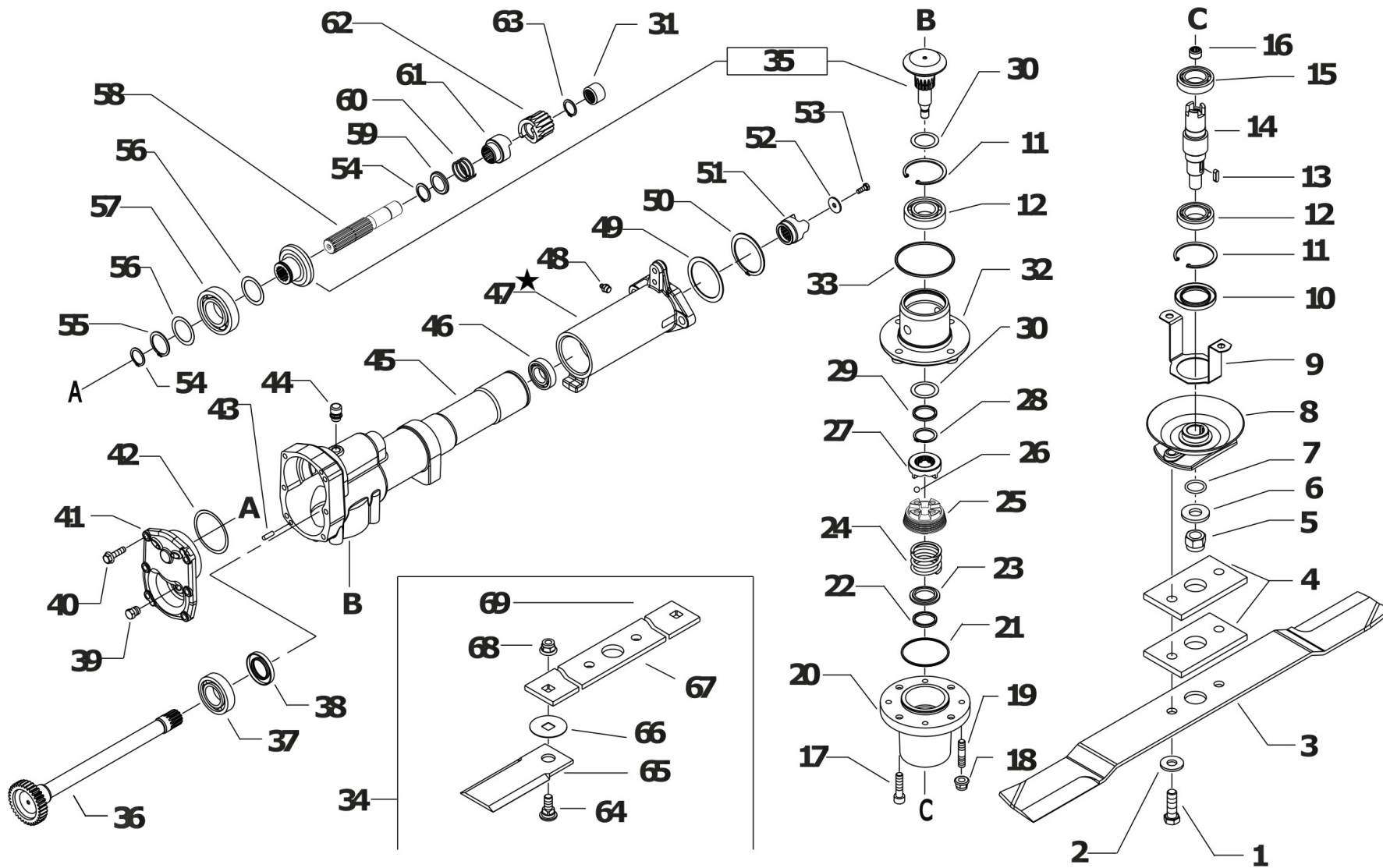


Pos.	Id	Q.ty	Description	Note
30000001	30000001	1	LUBRICATOR M10	
31112170	31112170	1	SCREW TE C/F M8X20 DIN 6921	
31112172	31112172	1	SCREW TE C/F M8X70 DIN 6921	
31241084	31241084	1	SELFLOCK NUT M8 6S	
31411104	31411104	1	WASHER 10,5x18	
31411170	31411170	1	WASHER 17x30	
31412210	31412210	1	WASHER 21	
34110042	34110042	1	SPLIT PIN A4X30 UNI 1336	
35211080	35211080	1	SEEGER RING E 8 UNI 7434	
55232104	55232104	1	DRAWBAR BEARING	
55243904	55243904	1	BUSHING	
55247373	55247373	1	BUSHING	
56152053	56152053	1	PIN	
56158047	56158047	1	FRONT HOOD	
56158048	56158048	1	HOSE CLIP	
56158049	56158049	1	HANDLE	
58002052	58002052	1	PIN	
58046923	58046923	1	DECAL	
58047978	58047978	1	DECAL	
58048325	58048325	1	DECAL	
58052050	58052050	1	SPRING	
58057724	58057724	1	DECAL	
58057769	58057769	1	DECAL	
59047357	59047357	1	COMPLETE FORK	
59047370	59047370	1	WHEEL SPINDLE	
59047377	59047377	1	WHEEL	
59058025	59058025	1	MOWER PLATE	
59058041	59058041	1	BOX	
59058042	59058042	1	BOX	



Pos.	Id	Q.ty	Description	Note
59058046	59058046	1	SMALL WHEEL AXLE	





[Click for info](#)

★ = new part



Pos.	Id	Q.ty	Description	Note
1	31112330		SCREW TE M14X45 UNI 5739	
2	31421251		WASHER 14 DIN 6796	
3	56558055		COMPLETE BLADE CM76-6MM	
4	56158054		SPACER	
5	31241182		SELFLOCK NUT M18X1,5	
6	31421253		WASHER	
7	38112500		O-RING 4100 (25,00X3,53)	
8	59058065		HUB	
9	56158077		GUARD	
10	38214004		OIL SEAL 40X62X7	
11	35111062		SEEGER RING I 62 DIN 472	
12	37111300		BEARING 6206 (30X62X16)	
13	34321060		KEY 6X6X20	
14	56458097		SHAFT	
15	37112229		BEARING 6006 (30X55X13) SKF	
16	F0812504050		BUSHING HK1212	
17	31152100		SCREW TCEI M10X40 UNI 5931 8G	
18	31241103		SELFLOCK NUT M10	
19	31312103		STUD BOLT M10X46X24X16	
20	53258098		FLANGE	
21	38116510		RING OR 3262 (66,35X2,62)	
22	56158095		SPACER	
23	56159613		SUPPORT	
24	58059099		SPRING	
25	54158088		CONE 12	
26	37911032		BALL 5/16	
27	52459605		COUPLING	
28	35121030		SEEGER RING E 30 DIN 471	
29	56158095		SPACER	



Pos.	Id	Q.ty	Description	Note
30	58125949		SHIM	
30	58125950		SHIM	
30	58125951		SHIM	
31	37331222		BUSHING R/NI HK2220 22X28X20	
32	52458096		BRAKE BELL FLANGE	
33	38117897		O-RING 4312 (78,97X3,53)	
34	59258015		KIT	
35	59358089		BEVEL GEAR	
36	52458091		CONDUCTOR GEAR Z33	
37	37111300		BEARING 6206 (30X62X16)	
38	38213005		OIL SEAL 30X52X7	
39	30040001		PLUG 1/4 UNI 364	
40	31112167		SCREW TE C/F M8X30 DIN 6921 8G	
41	53258093		REAR COVER	
42	58125946		SHIM	
42	58125947		SHIM	
42	58125948		SHIM	
43	58043053		CYLINDRICAL PLUG	
44	30040008		PLUG SF.TSSR0 1/4 G-0,15	
45	53258090		BODY	
46	37112252		BEARING 6005-2RS (25X47X12)	
47	51358946N		SLEEVE	SOSTITUISCE 51358961
48	30000001		LUBRICATOR M10	
49	56358964		ADJUSTING RING SP=1,5	
50	35121060		SEEGER RING E 60 DIN 471	
51	56458942		COUPLING D=25	
52	56158943		WASHER 7,0x25/2	
53	31112090		SCREW TE M6X16 UNI 5739 8G	
54	35121024		SEEGER RING	



Pos.	Id	Q.ty	Description	Note
55	35121035		SEEGER RING E 32 DIN 471	
56	58125940		SHIM	
56	58125941		SHIM	
56	58125942		SHIM	
57	37111350		BEARING 6207 (35X72X17	
58	52458087		GEAR SHAFT	
59	56158084		BOTTOM	
60	58056434		SPRING	
61	52458086		COUPLING	
62	52458092		DRIVEN GEAR Z16	
63	35121023		SEEGER RING 22 DIN 471	
64	56519397		PIN	
65	56158071		LAWN MOWER BLADE CM80	
66	56319416		WASHER	
67	56158070		PLATE	
68	31241125		NUT M12 DIN 6926 FLANGIATO	



Pos.	Id	Q.ty	Description	Note
30000001	30000001	1	LUBRICATOR M10	
30040001	30040001	1	PLUG 1/4 UNI 364	
30040008	30040008	1	PLUG SF.TSSR0 1/4 G-0,15	
31112090	31112090	1	SCREW TE M6X16 UNI 5739 8G	
31112167	31112167	1	SCREW TE C/F M8X30 DIN 6921 8G	
31112330	31112330	1	SCREW TE M14X45 UNI 5739	
31152100	31152100	1	SCREW TCEI M10X40 UNI 5931 8G	
31241103	31241103	1	SELFLOCK NUT M10	
31241125	31241125	1	NUT M12 DIN 6926 FLANGIATO	
31241182	31241182	1	SELFLOCK NUT M18X1,5	
31312103	31312103	1	STUD BOLT M10X46X24X16	
31421251	31421251	1	WASHER 14 DIN 6796	
31421253	31421253	1	WASHER	
34321060	34321060	1	KEY 6X6X20	
35111062	35111062	1	SEEGER RING I 62 DIN 472	
35121023	35121023	1	SEEGER RING 22 DIN 471	
35121024	35121024	1	SEEGER RING	
35121030	35121030	1	SEEGER RING E 30 DIN 471	
35121035	35121035	1	SEEGER RING E 32 DIN 471	
35121060	35121060	1	SEEGER RING E 60 DIN 471	
37111300	37111300	1	BEARING 6206 (30X62X16)	
37111350	37111350	1	BEARING 6207 (35X72X17)	
37112229	37112229	1	BEARING 6006 (30X55X13) SKF	
37112252	37112252	1	BEARING 6005-2RS (25X47X12)	
37331222	37331222	1	BUSHING R/NI HK2220 22X28X20	
37911032	37911032	1	BALL 5/16	
38112500	38112500	1	O-RING 4100 (25,00X3,53)	
38116510	38116510	1	RING OR 3262 (66,35X2,62)	
38117897	38117897	1	O-RING 4312 (78,97X3,53)	

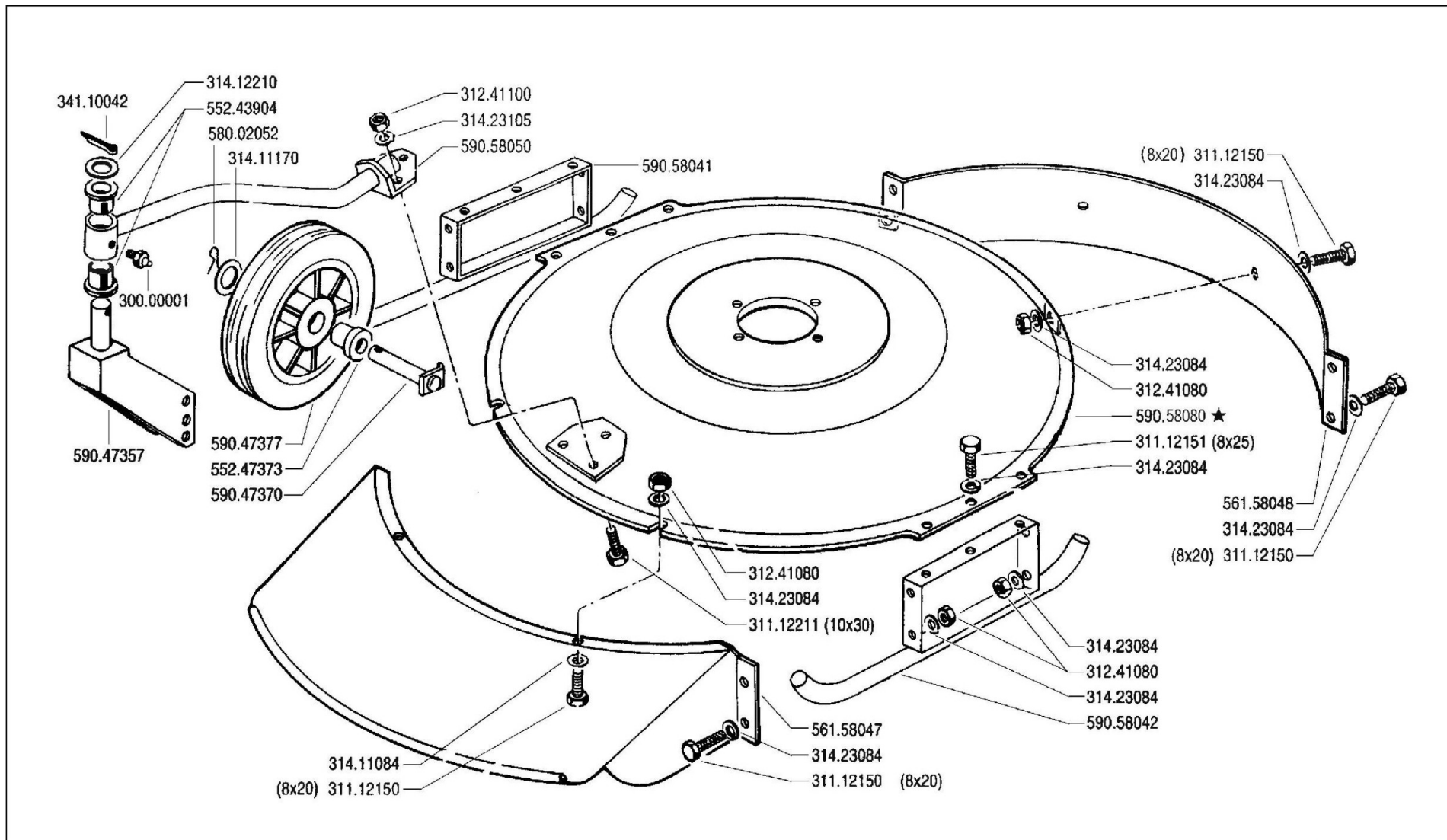


Pos.	Id	Q.ty	Description	Note
38213005	38213005	1	OIL SEAL 30X52X7	
38214004	38214004	1	OIL SEAL 40X62X7	
51358961	51358961	1	SLEEVE	
52458086	52458086	1	COUPLING	
52458087	52458087	1	GEAR SHAFT	
52458091	52458091	1	CONDUCTOR GEAR Z33	
52458092	52458092	1	DRIVEN GEAR Z16	
52458096	52458096	1	BRAKE BELL FLANGE	
52459605	52459605	1	COUPLING	
53258090	53258090	1	BODY	
53258093	53258093	1	REAR COVER	
53258098	53258098	1	FLANGE	
54158088	54158088	1	CONE 12	
56158054	56158054	1	SPACER	
56158070	56158070	1	PLATE	
56158071	56158071	1	LAWN MOWER BLADE CM80	
56158077	56158077	1	GUARD	
56158084	56158084	1	BOTTOM	
56158095	56158095	1	SPACER	
56158943	56158943	1	WASHER 7,0x25/2	
56159613	56159613	1	SUPPORT	
56319416	56319416	1	WASHER	
56358964	56358964	1	ADJUSTING RING SP=1,5	
56458097	56458097	1	SHAFT	
56458942	56458942	1	COUPLING D=25	
56519397	56519397	1	PIN	
56558055	56558055	1	COMPLETE BLADE CM76-6MM	
58043053	58043053	1	CYLINDRICAL PLUG	
58056434	58056434	1	SPRING	



Pos.	Id	Q.ty	Description	Note
58059099	58059099	1	SPRING	
58125940	58125940	1	SHIM	
58125941	58125941	1	SHIM	
58125942	58125942	1	SHIM	
58125946	58125946	1	SHIM	
58125947	58125947	1	SHIM	
58125948	58125948	1	SHIM	
58125949	58125949	1	SHIM	
58125950	58125950	1	SHIM	
58125951	58125951	1	SHIM	
59058065	59058065	1	HUB	
59258015	59258015	1	KIT	
59358089	59358089	1	BEVEL GEAR	
F0812504050	F0812504050	1	BUSHING HK1212	





ATTREZZI ED ACCESSORI
 IMPLEMENTS AND ACCESSORIES
 OUTILS ET ACCESSOIRES
 APAROS Y ACCESORIOS
 ARBEITSGERÄTE UND ZUBEHÖR

600/700 serie 94

DECESPUGLIATORE cm. 80

HEAVY DUTY MOWER
 DESBROZADORA

DEBROUSSAILLEUSE
 SICHELMÄHER

DALL'ATREZZO
 DESDE EL APARO
 DE L'OUTIL
 FROM IMPLEMENT
 AB ARBEITSGERÄT

★ N.

96898

26

Rev.
1

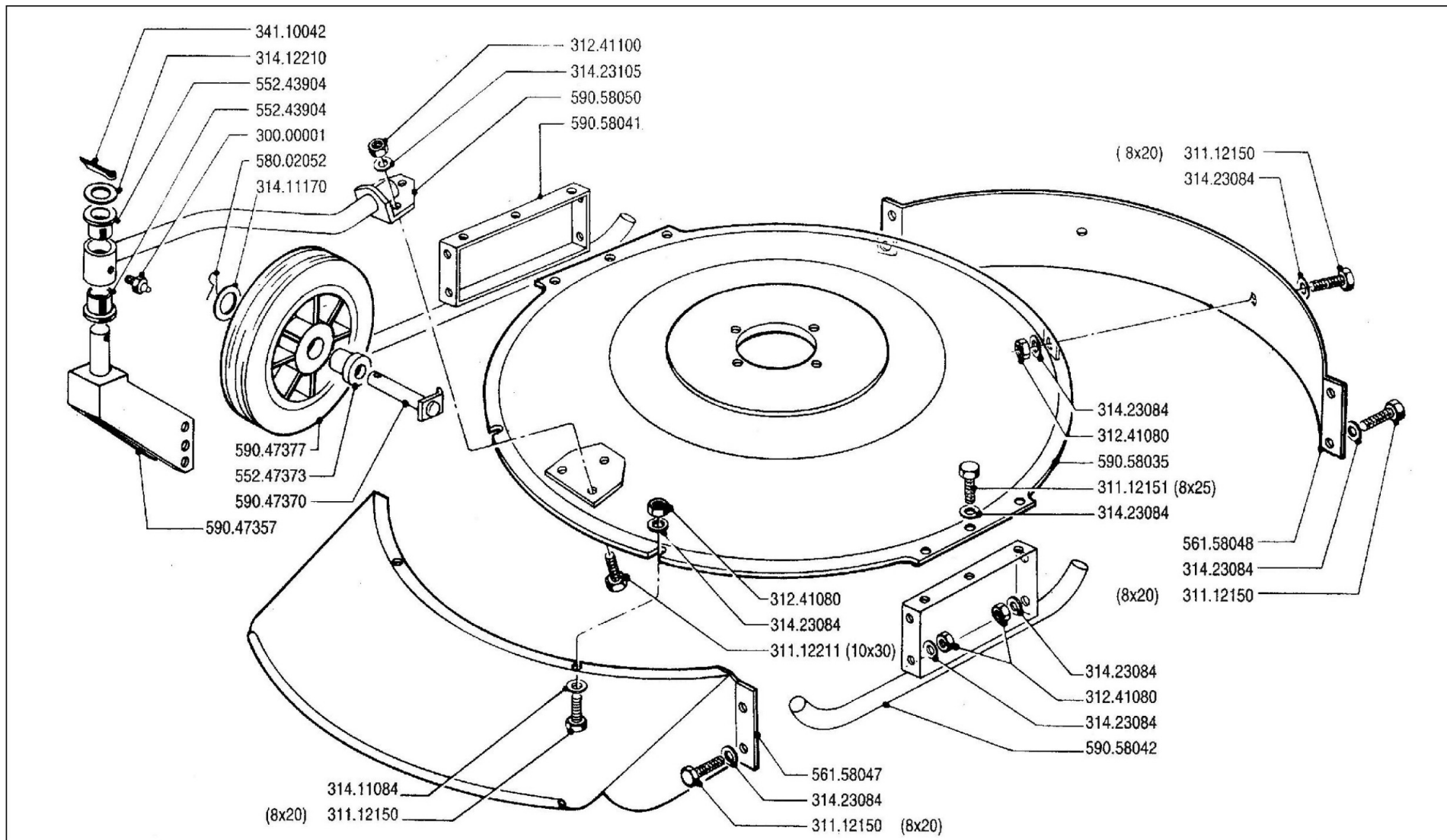
2/2003

2ENNE



Pos.	Id	Q.ty	Description	Note
30000001	30000001		LUBRICATOR M10	
31112150	31112150		SCREW TE M8X20 UNI 5739 8G	
31112151	31112151		SCREW TE M8X25 UNI 5739 8G	
31112211	31112211		SCREW TE M10X30 UNI 5739	
31241080	31241080		HEXAGON SELFLOCK NUT M8	
31241100	31241100		SELFLOCK HEXAGON NUT M10	
31411084	31411084		WASHER 8,4x17	
31411170	31411170		WASHER 17x30	
31412210	31412210		WASHER 21	
31423084	31423084		SPRING WASHER 8,4	
31423105	31423105		SPRING WASHER 10,5	
34110042	34110042		SPLIT PIN A4X30 UNI 1336	
55243904	55243904		BUSHING	
55247373	55247373		BUSHING	
56158047	56158047		FRONT HOOD	
56158048	56158048		HOSE CLIP	
58002052	58002052		PIN	
59047357	59047357		COMPLETE FORK	
59047370	59047370		WHEEL SPINDLE	
59047377	59047377		WHEEL	
59058041	59058041		BOX	
59058042	59058042		BOX	
59058050	59058050		SUPPORT	
59058080	59058080		MOWER PLATE	





ATTREZZI ED ACCESSORI
 IMPLEMENTS AND ACCESSORIES
 OUTILS ET ACCESSOIRES
 APAROS Y ACCESORIOS
 ARBEITSGERÄTE UND ZUBEHÖR

600/700 serie 94

DECESPUGLIATORE cm. 80

HEAVY DUTY MOWER
 DESBROZADORA

DEBROUSSAILLEUSE
 SICHELMÄHER

DAL L'ATREZZO
 DESDE EL APARO
 DE L'OUTIL
 FROM IMPLEMENT
 AB ARBEITSGERÄT

N.

26

Mod.
00

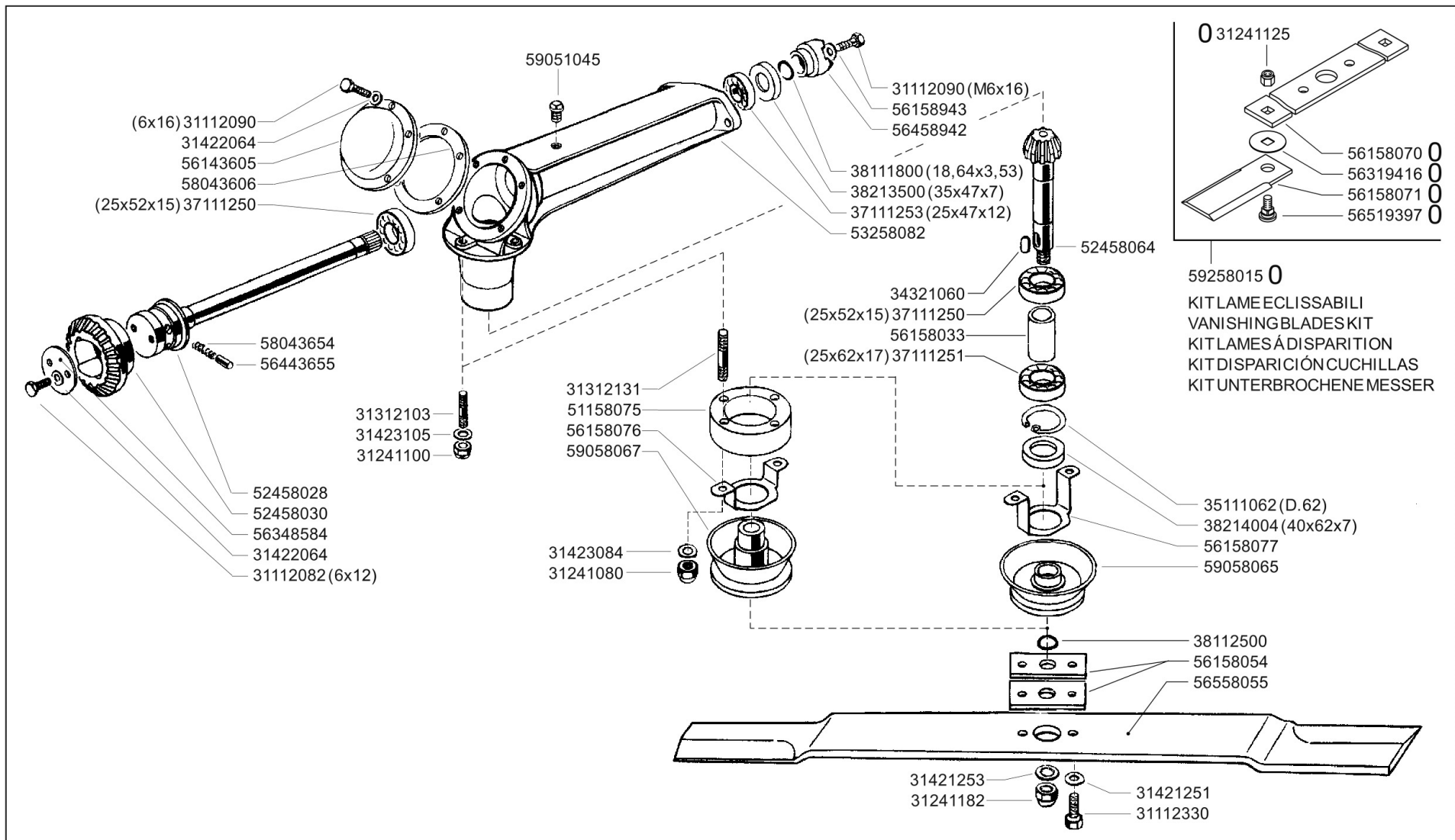
6/1995

ZENNE



Pos.	Id	Q.ty	Description	Note
30000001	30000001		LUBRICATOR M10	
31112150	31112150		SCREW TE M8X20 UNI 5739 8G	
31112151	31112151		SCREW TE M8X25 UNI 5739 8G	
31112211	31112211		SCREW TE M10X30 UNI 5739	
31241080	31241080		HEXAGON SELFLOCK NUT M8	
31241100	31241100		SELFLOCK HEXAGON NUT M10	
31411084	31411084		WASHER 8,4x17	
31411170	31411170		WASHER 17x30	
31412210	31412210		WASHER 21	
31423084	31423084		SPRING WASHER 8,4	
31423105	31423105		SPRING WASHER 10,5	
34110042	34110042		SPLIT PIN A4X30 UNI 1336	
55243904	55243904		BUSHING	
55247373	55247373		BUSHING	
56158047	56158047		FRONT HOOD	
56158048	56158048		HOSE CLIP	
58002052	58002052		PIN	
59047357	59047357		COMPLETE FORK	
59047370	59047370		WHEEL SPINDLE	
59047377	59047377		WHEEL	
59058035	59058035		MOWER PLATE CM 80 COMPL.	
59058041	59058041		BOX	
59058042	59058042		BOX	
59058050	59058050		SUPPORT	





ATTREZZI ED ACCESSORI
 IMPLEMENTS AND ACCESSORIES
 OUTILS ET ACCESSOIRES
 APEROS Y ACCESORIOS
 ARBEITSGERÄTE UND ZUBEHÖR

600/700 serie 94

DECEPUGLIATORE cm 80

HEAVY DUTY MOWER
 DESBROZADORA

DEBROUSSAILLEUSE
 SICHELMÄHER

DALL'ATTREZZO
 DESDE EL APERO
 DE L'OUTIL
 FROM IMPLEMENT
 AB ARBEITSGERÄT

★ N.

AGGIORNAMENTO
 REVISION
 MISE A JOUR
 APLAZAMIENTO
 ANPASSUNG

25

05/2006

Rev.
 2

ZENE

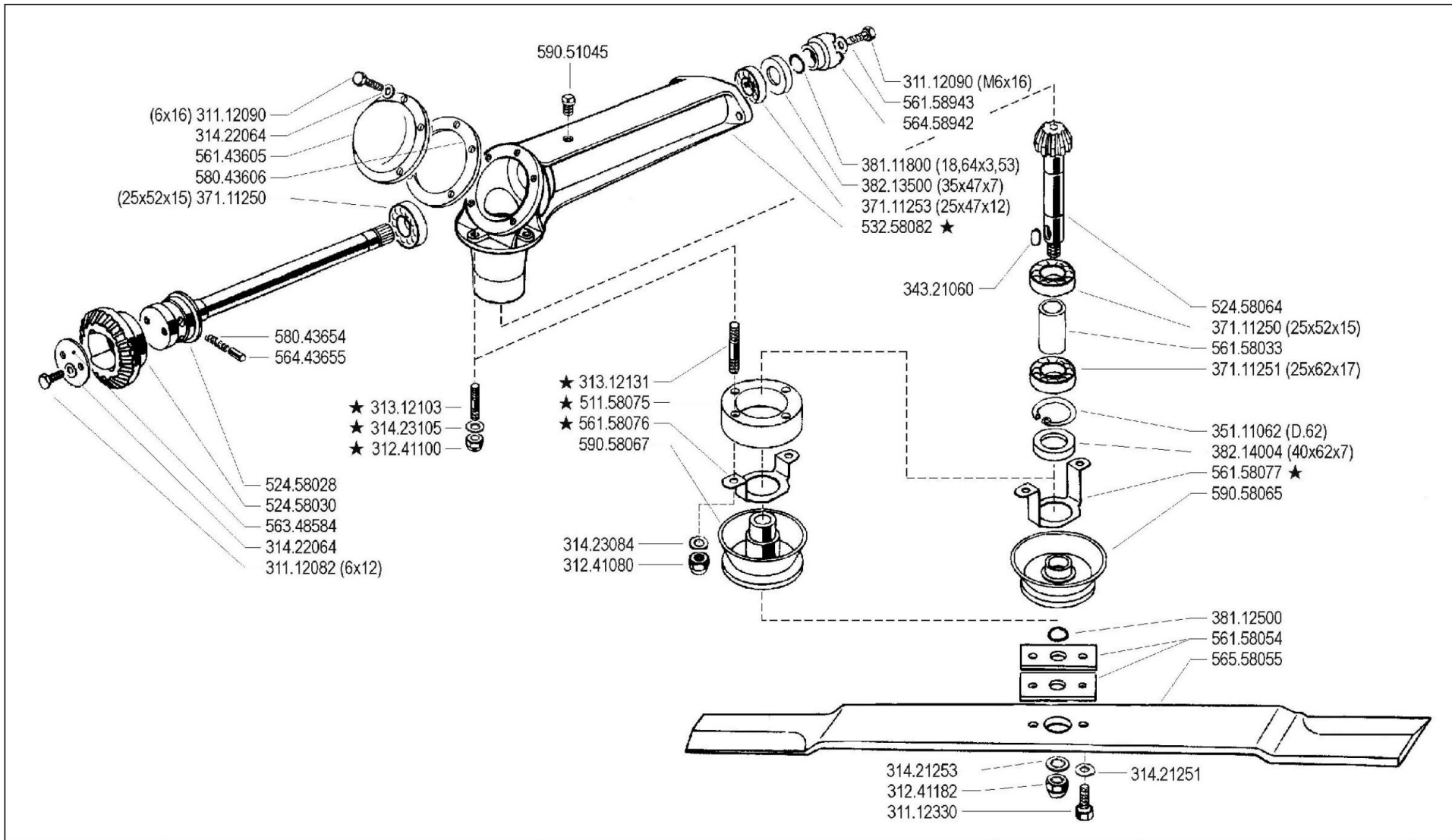


Pos.	Id	Q.ty	Description	Note
31112082	31112082		SCREW TE M6X12 UNI 5739 8G	
31112090	31112090		SCREW TE M6X16 UNI 5739 8G	
31112330	31112330		SCREW TE M14X45 UNI 5739	
31241080	31241080		HEXAGON SELFLOCK NUT M8	
31241100	31241100		SELFLOCK HEXAGON NUT M10	
31241125	31241125	1	NUT M12 DIN 6926 FLANGIATO	
31241182	31241182		SELFLOCK NUT M18X1,5	
31312103	31312103		STUD BOLT M10X46X24X16	
31312131	31312131		STUD BOLT	
31421251	31421251		WASHER	
31421253	31421253		WASHER	
31422064	31422064		SPRING WASHER 6,4	
31423084	31423084		SPRING WASHER 8,4	
31423105	31423105		SPRING WASHER 10,5	
34321060	34321060		KEY 6X6X20	
35111062	35111062		SEEGER RING I 62 DIN 472	
37111250	37111250		BEARING	
37111251	37111251		BEARING 6305 (25X62X17)	
37111253	37111253		BEARING 6005 (25X47X12)	
38111800	38111800		O-RING 4075 (18,64X3,53)	
38112500	38112500		O-RING 4100 (25,00X3,53)	
38213500	38213500		OIL SEAL 35X47X7	
38214004	38214004		OIL SEAL 40X62X7	
51158075	51158075		SPACER	
52458028	52458028		SHAFT L=350,5	
52458030	52458030		BEVEL RING GEAR Z=30	
52458064	52458064		BEVEL PINION Z=14	
53258082	53258082		BODY	
56143605	56143605		COVER	



Pos.	Id	Q.ty	Description	Note
56158033	56158033		SPACER H=65	
56158054	56158054		SPACER	
56158070	56158070	1	PLATE	
56158071	56158071	1	LAWN MOWER BLADE CM80	
56158076	56158076		GUARD	
56158077	56158077		GUARD	
56158943	56158943		WASHER 7,0x25/2	
56319416	56319416	1	WASHER	
56348584	56348584		DISC	
56443655	56443655		ROLLER	
56458942	56458942		COUPLING D=25	
56519397	56519397	1	PIN	
56558055	56558055		COMPLETE BLADE CM76-6MM	
58043606	58043606		GASKET	
58043654	58043654		SPRING	
59051045	59051045		PLUG	
59058065	59058065		HUB	
59058067	59058067		HUB	
59258015	59258015	1	KIT	





ATTREZZI ED ACCESSORI
IMPLEMENTS AND ACCESSORIES
OUTILS ET ACCESSOIRES
APAROS Y ACCESORIOS
ARBEITSGERÄTE UND ZUBEHÖR

600/700 serie 94

DECESPUGLIATORE cm. 80

HEAVY DUTY MOWER
DESBROZADORA

DEBROUSSAILLEUSE
SICHELMÄHER

DALL'ATREZZO
DESSE E. APARO
DE L'OUTIL
FROM IMPLEMENT
AB ARBEITSGERÄT

★ N.

96898

25	Rev.	1
	2/2003	

ZENNE

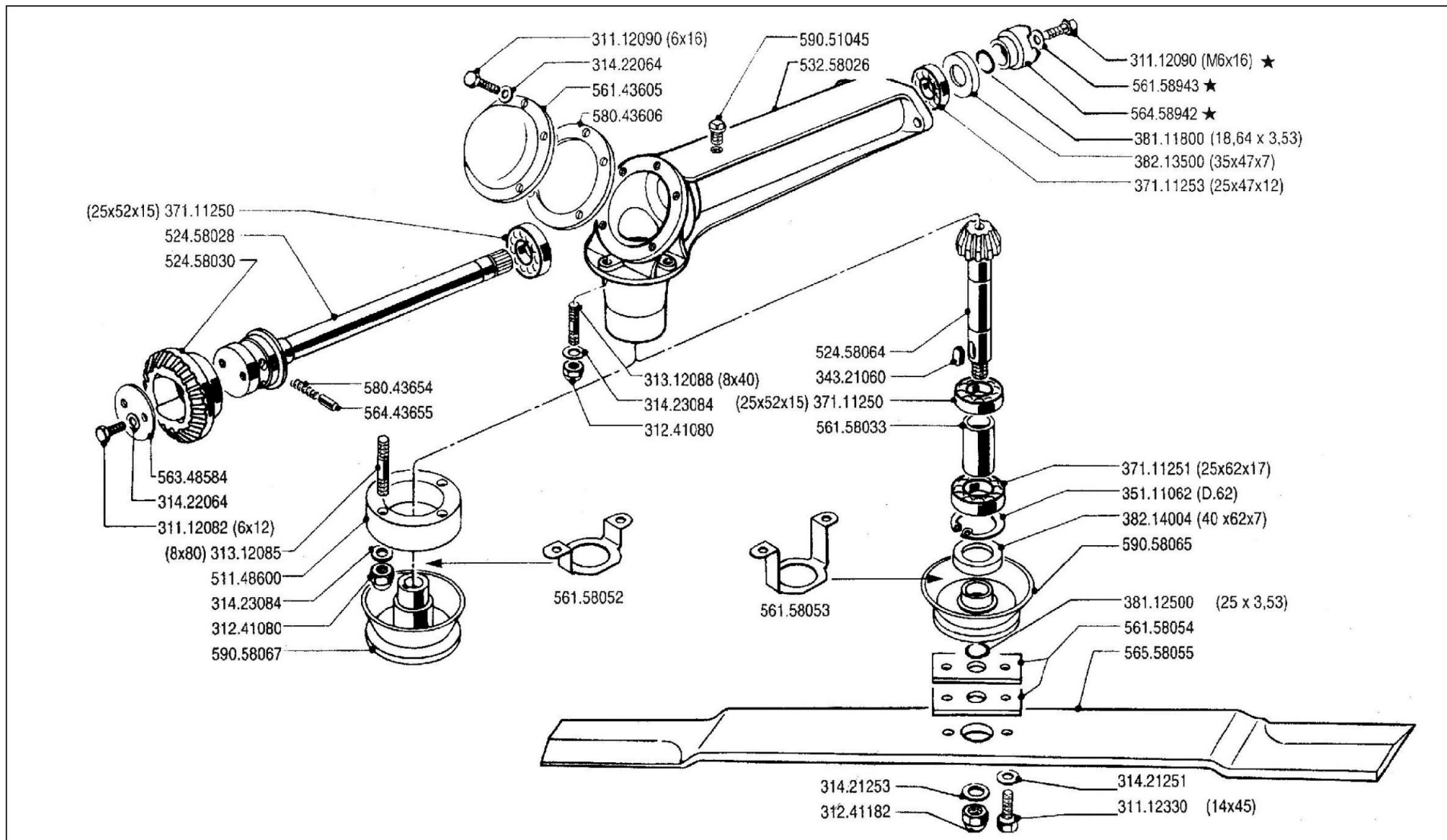


Pos.	Id	Q.ty	Description	Note
31112082	31112082		SCREW TE M6X12 UNI 5739 8G	
31112090	31112090		SCREW TE M6X16 UNI 5739 8G	
31112330	31112330		SCREW TE M14X45 UNI 5739	
31241080	31241080		HEXAGON SELFLOCK NUT M8	
31241100	31241100		SELFLOCK HEXAGON NUT M10	
31241182	31241182		SELFLOCK NUT M18X1,5	
31312103	31312103		STUD BOLT M10X46X24X16	
31312131	31312131		STUD BOLT	
31421251	31421251		WASHER	
31421253	31421253		WASHER	
31422064	31422064		SPRING WASHER 6,4	
31423084	31423084		SPRING WASHER 8,4	
31423105	31423105		SPRING WASHER 10,5	
34321060	34321060		KEY 6X6X20	
35111062	35111062		SEEGER RING I 62 DIN 472	
37111250	37111250		BEARING	
37111251	37111251		BEARING 6305 (25X62X17)	
37111253	37111253		BEARING 6005 (25X47X12)	
38111800	38111800		O-RING 4075 (18,64X3,53)	
38112500	38112500		O-RING 4100 (25,00X3,53)	
38213500	38213500		OIL SEAL 35X47X7	
38214004	38214004		OIL SEAL 40X62X7	
51158075	51158075		SPACER	
52458028	52458028		SHAFT L=350,5	
52458030	52458030		BEVEL RING GEAR Z=30	
52458064	52458064		BEVEL PINION Z=14	
53258082	53258082		BODY	
56143605	56143605		COVER	
56158033	56158033		SPACER H=65	



Pos.	Id	Q.ty	Description	Note
56158054	56158054		SPACER	
56158076	56158076		GUARD	
56158077	56158077		GUARD	
56158943	56158943		WASHER 7,0x25/2	
56348584	56348584		DISC	
56443655	56443655		ROLLER	
56458942	56458942		COUPLING D=25	
56558055	56558055		COMPLETE BLADE CM76-6MM	
58043606	58043606		GASKET	
58043654	58043654		SPRING	
59051045	59051045		PLUG	
59058065	59058065		HUB	
59058067	59058067		HUB	





ATTREZZI ED ACCESSORI
 IMPLEMENTS AND ACCESSORIES
 OUTILS ET ACCESSOIRES
 APAROS Y ACCESORIOS
 ARBEITSGERÄTE UND ZUBEHÖR

600/700 serie 94

DECESPUGLIATORE cm. 80

HEAVY DUTY MOWER
 DESBROZADORA

DEBROUSSAILLEUSE
 SICHELMÄHER

DAL' ATREZZO
 DESSE E. APERO
 DE L' OUTIL
 FROM IMPLEMENT
 AB ARBEITSGERÄT

★ N.

132251

25 00

6/1995

Mod.
 ZENNE



Pos.	Id	Q.ty	Description	Note
31112082	31112082		SCREW TE M6X12 UNI 5739 8G	
31112090	31112090		SCREW TE M6X16 UNI 5739 8G	
31112330	31112330		SCREW TE M14X45 UNI 5739	
31241080	31241080		HEXAGON SELFLOCK NUT M8	
31241182	31241182		SELFLOCK NUT M18X1,5	
31312085	31312085		STUD BOLT M8X80X28X16	
31312088	31312088		STUD BOLT M8X40X14X14	
31421251	31421251		WASHER	
31421253	31421253		WASHER	
31422064	31422064		SPRING WASHER 6,4	
31423084	31423084		SPRING WASHER 8,4	
34321060	34321060		KEY 6X6X20	
35111062	35111062		SEEGER RING I 62 DIN 472	
37111250	37111250		BEARING	
37111251	37111251		BEARING 6305 (25X62X17)	
37111253	37111253		BEARING 6005 (25X47X12)	
38111800	38111800		O-RING 4075 (18,64X3,53)	
38112500	38112500		O-RING 4100 (25,00X3,53)	
38213500	38213500		OIL SEAL 35X47X7	
38214004	38214004		OIL SEAL 40X62X7	
51148600	51148600		SPACER	
52458028	52458028		SHAFT L=350,5	
52458030	52458030		BEVEL RING GEAR Z=30	
52458064	52458064		BEVEL PINION Z=14	
53258026	53258026		BODY	
56143605	56143605		COVER	
56158033	56158033		SPACER H=65	
56158052	56158052		GUARD	
56158053	56158053		GUARD	



Pos.	Id	Q.ty	Description	Note
56158054	56158054		SPACER	
56158943	56158943		WASHER 7,0x25/2	
56348584	56348584		DISC	
56443655	56443655		ROLLER	
56458942	56458942		COUPLING D=25	
56558055	56558055		COMPLETE BLADE CM76-6MM	
58043606	58043606		GASKET	
58043654	58043654		SPRING	
59051045	59051045		PLUG	
59058065	59058065		HUB	
59058067	59058067		HUB	

