



BCS Motor mowers, BCS 2-wheel tractors

622

22/06/2023

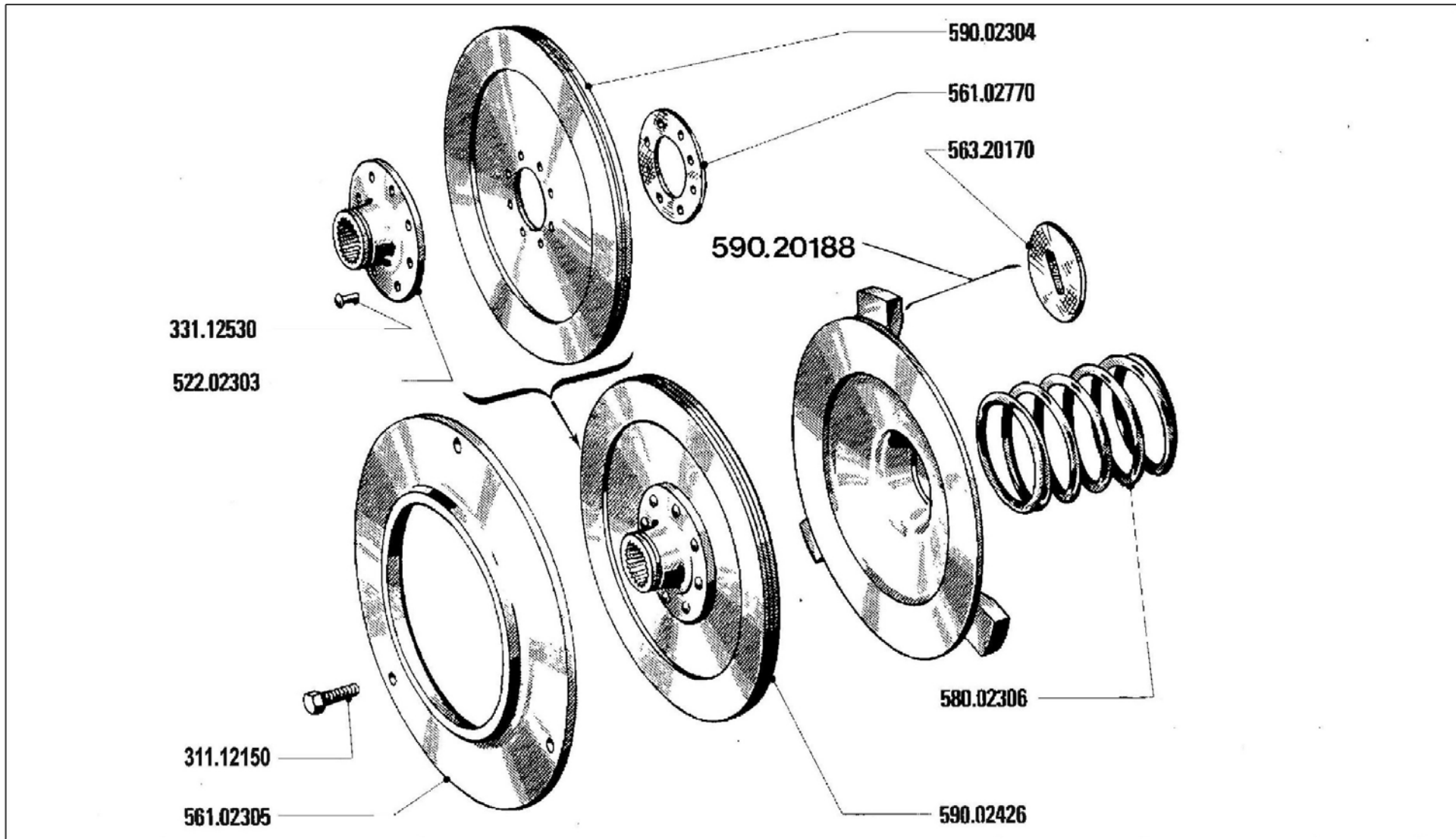
A60008 - 622.....	3
001_1_25206 - CLUTCH.....	5
001.02.A0023_02 - CLUTCH.....	7
002_1_25217 - GEARBOX & COVER.....	9
002.02.A0023_02 - GEARBOX & COVER.....	12
003_1_25272 - GEARS; STEERING COUPLING.....	15
004_1_25330 - GEARS; DIFFERENTIAL.....	18
004.02.A0023_02 - GEARS.....	21
005_1_25383 - AXLE AND WHEELS FOR DIFFERENTIAL VERSION.....	24
006_1_25423 - AXLE AND WHEELS FOR STEERING COUPLING VERSION.....	27
007_1_25472 - HANDLEBAR AND CONTROLS FOR STEERING COUPLING VER.....	30
007_2_137750 - HANDLEBAR AND CONTROLS FOR STEERING COUPLING VER.....	34
007_3_137755 - HANDLEBAR AND CONTROLS FOR STEERING COUPLING VER.....	39
008_1_25560 - HANDLEBAR AND CONTROLS FOR DIFFERENTIAL VERSION.....	44
008_2_137841 - HANDLEBAR AND CONTROLS FOR DIFFERENTIAL VERSION.....	49
008_3_137843 - HANDLEBAR AND CONTROLS FOR DIFFERENTIAL VERSION.....	54
009_1_25665 - SHAFT - OSCILLATING BOX.....	59
010_1_25703 - ARMS.....	62
010.02.A0023_02 - ARMS.....	65
011_1_25737 - STANDARD CUTTER BAR.....	68
11A_0_25877 - CUTTER BAR W/MID.CUT AND MONTBLANC FINGERS.....	71
012_1_25782 - WORK SULKY.....	74
013_1_25821 - SULKY FOR 622.....	77
013.02.A0023_02 - SULKY FOR 622.....	80
013.02.A0023_03 - SULKY FOR 622.....	83
014_0_25865 - STICKERS.....	86





Id	Description
001_1_25206	CLUTCH
001.02.A0023_02	CLUTCH
002_1_25217	GEARBOX & COVER
002.02.A0023_02	GEARBOX & COVER
003_1_25272	GEARS; STEERING COUPLING
004_1_25330	GEARS; DIFFERENTIAL
004.02.A0023_02	GEARS
005_1_25383	AXLE AND WHEELS FOR DIFFERENTIAL VERSION
006_1_25423	AXLE AND WHEELS FOR STEERING COUPLING VERSION
007_1_25472	HANDLEBAR AND CONTROLS FOR STEERING COUPLING VER.
007_2_137750	HANDLEBAR AND CONTROLS FOR STEERING COUPLING VER.
007_3_137755	HANDLEBAR AND CONTROLS FOR STEERING COUPLING VER.
008_1_25560	HANDLEBAR AND CONTROLS FOR DIFFERENTIAL VERSION
008_2_137841	HANDLEBAR AND CONTROLS FOR DIFFERENTIAL VERSION
008_3_137843	HANDLEBAR AND CONTROLS FOR DIFFERENTIAL VERSION
009_1_25665	SHAFT - OSCILLATING BOX
010_1_25703	ARMS
010.02.A0023_02	ARMS
011_1_25737	STANDARD CUTTER BAR
11A_0_25877	CUTTER BAR W/MID.CUT AND MONTBLANC FINGERS
012_1_25782	WORK SULKY
013_1_25821	SULKY FOR 622
013.02.A0023_02	SULKY FOR 622
013.02.A0023_03	SULKY FOR 622
014_0_25865	STICKERS



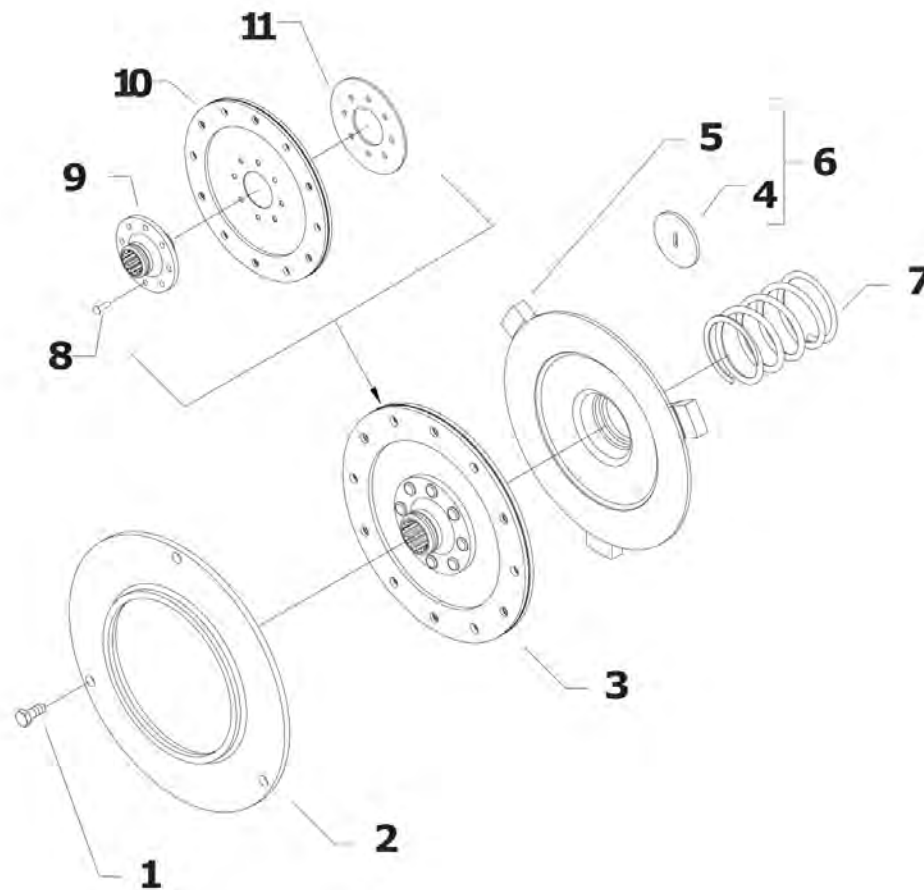


	SERIE	MF 622	CLUTCH	FRIZIONE	EMBRAYAGE	DALLA MACCHINA FROM THE MACHINE DE LA MAGUINA DE LA MACHINE	N.	01	Mcc. 1
				EMBRAGUE			6/2000	1	



Pos.	Id	Q.ty	Description	Note
31112150	31112150		SCREW TE M8X20 UNI 5739 8G	
33112530	33112530		RIVET TSV 5,3X14	
52202303	52202303		SLIDING SLEEVE	
56102305	56102305		CLUTCH THRUST RING	
56102770	56102770		DISC	
56320170	56320170		BOTTOM	
58002306	58002306		COUPLING SPRING	
59002304	59002304		CLUTCH DISC	
59002426	59002426		SLEEVE	
59020188	59020188		CLUTCH PLATE	





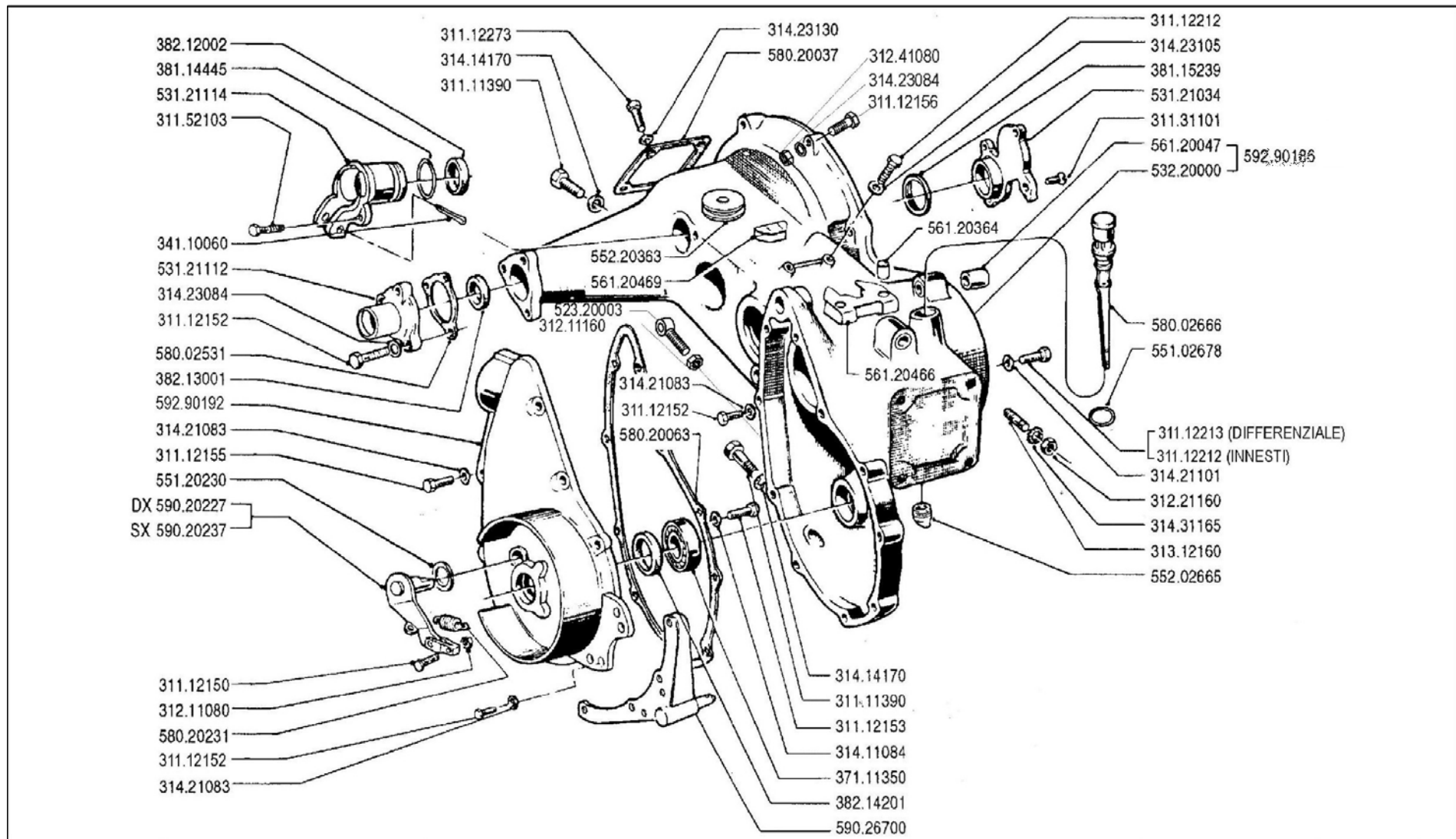
[Click for info](#)

★ = new part



Pos.	Id	Q.ty	Description	Note
1	31112150		SCREW TE M8X20 UNI 5739 8G	
2	56102305		CLUTCH THRUST RING	
3	59019580		CLUTCH SLIDING SLEEVE W/DISC	REPLACES 58002306
4	56320170		BOTTOM	
5	51102302		CLUTCH PLATE	
6	59020188		CLUTCH PLATE	
7	58002306		COUPLING SPRING	
8	33112530		RIVET TSV 5,3X14	
9	52202303		SLIDING SLEEVE	
10	59019581		COMPLETE CLUTCH DISC	
11	56102770		DISC	





- 382.12002
- 381.14445
- 531.21114
- 311.52103
- 311.12273
- 314.14170
- 311.11390
- 314.23130
- 580.20037
- 312.41080
- 314.23084
- 311.12156
- 311.12212
- 314.23105
- 381.15239
- 531.21034
- 311.31101
- 561.20047
- 532.20000
- 592.90185
- 341.10060
- 531.21112
- 314.23084
- 311.12152
- 580.02531
- 382.13001
- 592.90192
- 314.21083
- 311.12155
- 551.20230
- DX 590.20227
- SX 590.20237
- 552.20363
- 561.20469
- 523.20003
- 312.11160
- 561.20364
- 580.02666
- 551.02678
- 311.12213 (DIFFERENZIALE)
- 311.12212 (INNESTI)
- 314.21101
- 312.21160
- 314.31165
- 313.12160
- 552.02665
- 314.21083
- 311.12152
- 580.20063
- 314.14170
- 311.11390
- 311.12153
- 314.11084
- 371.11350
- 382.14201
- 590.26700
- 311.12150
- 312.11080
- 580.20231
- 311.12152
- 314.21083

	SERIE	SCATOLA E COPERCHIO	DALLA MACCHINA FROM THE MACHINE DE LA MAQUINA DE LA MACHINE	Vol.
	MF 622		BOX AND COVER	BOITE ET COUVERCLE
		CAJA Y CUBIERTA	N.	1
				6/2000

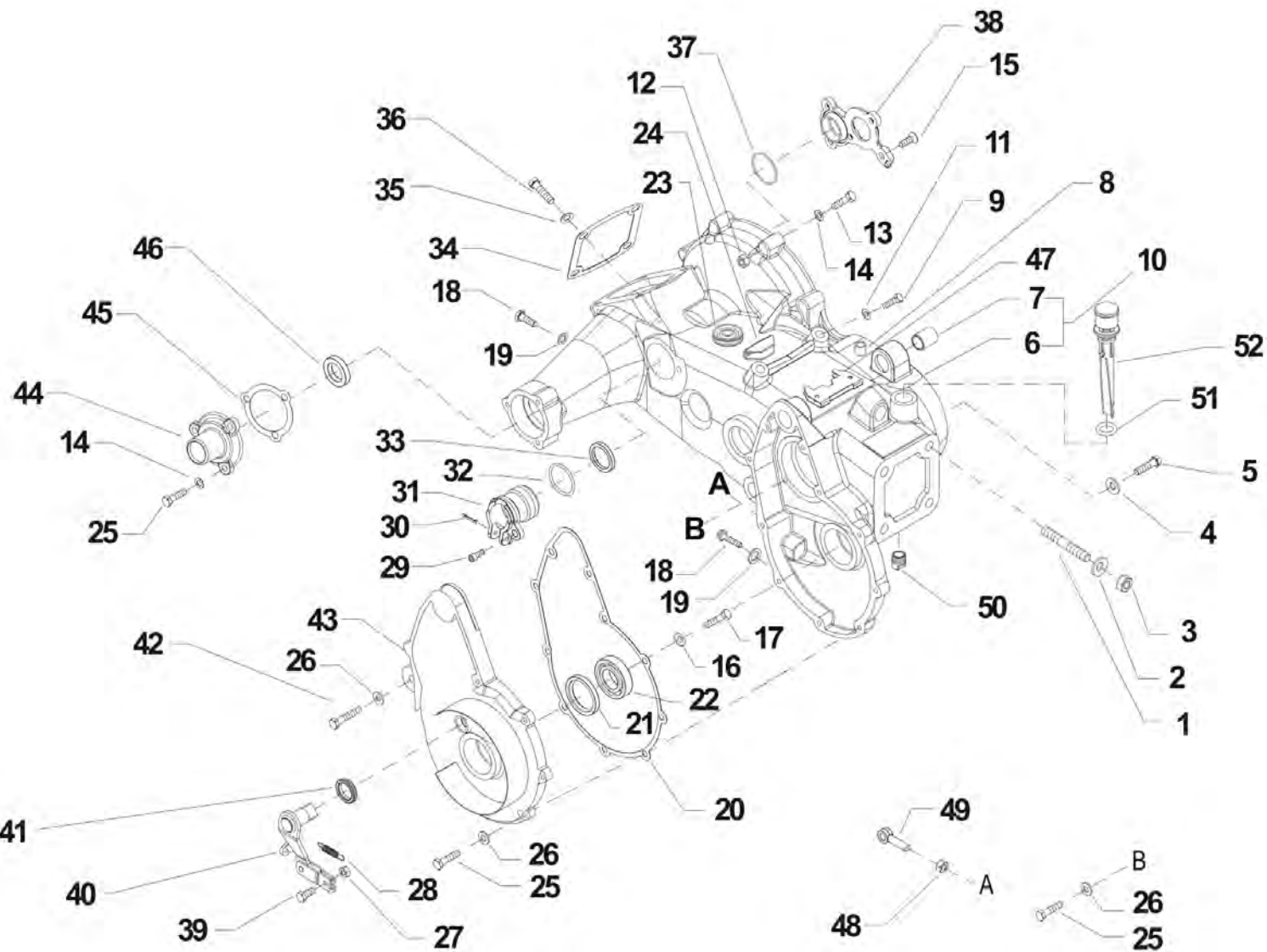


Pos.	Id	Q.ty	Description	Note
31111390	31111390		SCREW TE M16X30 UNI 5739 8G	
31112150	31112150		SCREW TE M8X20 UNI 5739 8G	
31112152	31112152		SCREW TE M8X30 UNI 5739 8G	
31112153	31112153		SCREW TE M8X35 UNI 5739 8G	
31112155	31112155		SCREW TE M8X45 UNI 5739 8G	
31112156	31112156		SCREW TE M8X60 UNI 5739 8G	
31112212	31112212		SCREW TE M10X35 UNI 5739	
31112213	31112213		SCREW TE M10X40 UNI 5739	
31112273	31112273		SCREW TE M12X50 UNI 5739	
31131101	31131101		SCREW TSV M10X30 UNI 6109	
31152103	31152103		SCREW TCEI M10X25 UNI 5931	
31211080	31211080		NUT M8	
31211160	31211160		NUT M16	
31221160	31221160		NUT M16	
31241080	31241080		HEXAGON SELFLOCK NUT M8	
31312160	31312160		STUD BOLT M16X55X25X25	
31411084	31411084		WASHER 8,4x17	
31414170	31414170		WASHER 17	
31421083	31421083		WASHER	
31421101	31421101		WASHER 10 DIN 679	
31423084	31423084		SPRING WASHER 8,4	
31423105	31423105		SPRING WASHER 10,5	
31423130	31423130		SPRING WASHER EL 13 DIN 137-B	
31431165	31431165		LOCK WASHER 16,5	
34110060	34110060		SPLIT PIN A6X40 UNI 1336	
37111350	37111350		BEARING 6207 (35X72X17	
38114445	38114445		O-RING 149 (44,45x3,53)	
38115239	38115239		O-RING OR 156 (52,39X3,53)	
38212002	38212002		OIL SEAL 20X40X10	



Pos.	Id	Q.ty	Description	Note
38213001	38213001		OIL SEAL 30X52X10	
38214201	38214201		OIL SEAL 42X56X7	
52320003	52320003		CONNECTION	
53121034	53121034		MAIN SHAFT FLANGE	
53121112	53121112		SHAFT FLANGE	
53121114	53121114		CLUTCH FLANGE	
53220000	53220000		GEARBOX	
55102678	55102678		RUBBER RING	
55120230	55120230		SEAL RING	
55202665	55202665		OIL CAP	
55220363	55220363		PULLEY BRAKE	
56120047	56120047		SLEEVE	
56120364	56120364		SLEEVE	
56120466	56120466		SUPPORT	
56120469	56120469		ROCKER	
58002531	58002531		FLANGE GASKET	
58002666	58002666		PLUG WITH DIPSTICK	
58020037	58020037		HANDLEBAR COLUMN GASKET	
58020063	58020063		COVER GASKET	
58020231	58020231		SPRING	
59020227	59020227		LEVER	
59020237	59020237		LEVER	
59026700	59026700		CONNECTION	
59290186	59290186		GEAR BOX	
59290192	59290192		COVER	



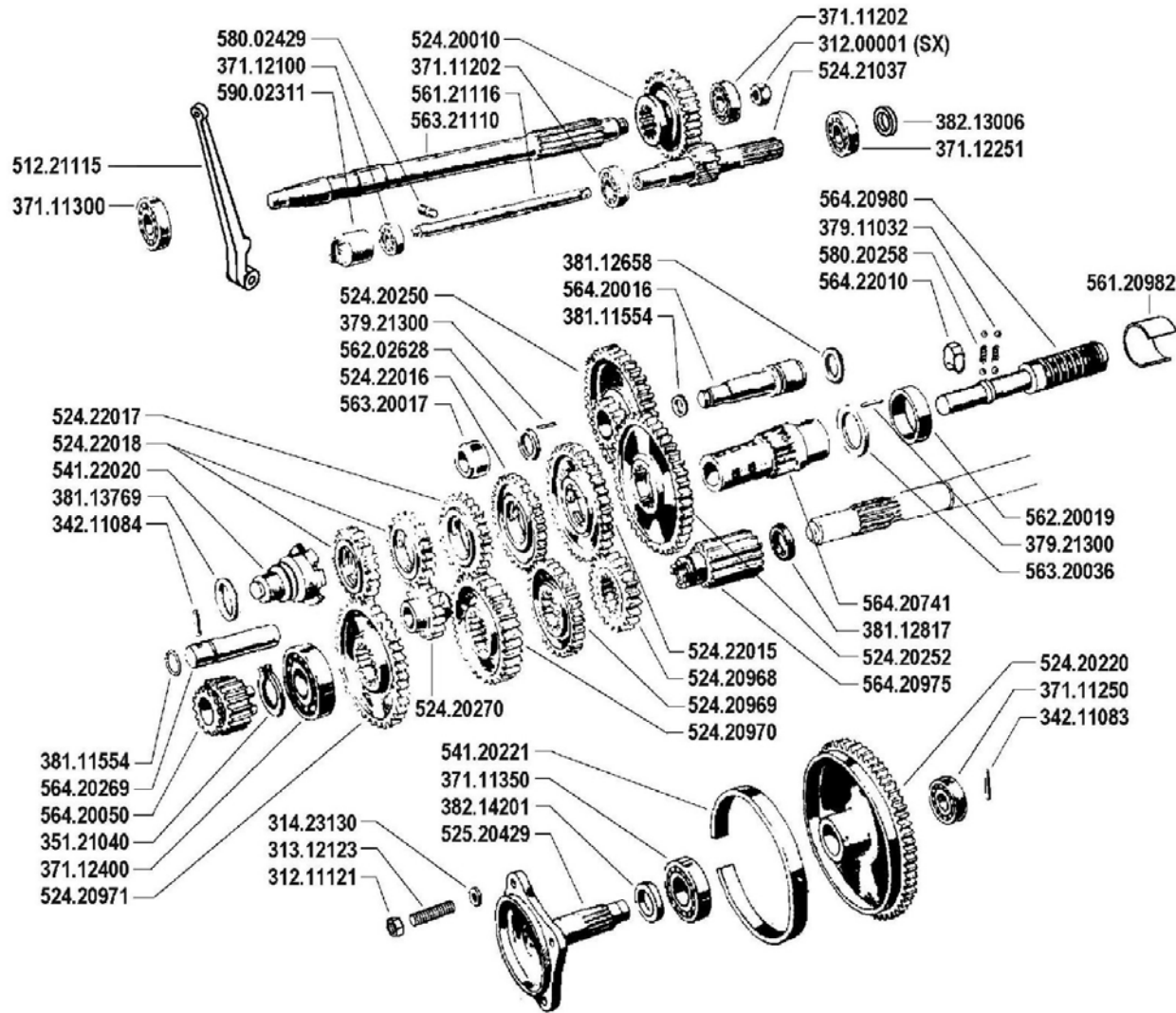


Pos.	Id	Q.ty	Description	Note
1	31312160		STUD BOLT M16X55X25X25	
2	31421354		CUP SPRING 31,5X16,3X2 DIN 2093	
3	31221160		NUT M16	
4	31421101		WASHER 10 DIN 679	
5	31112212		SCREW TE M10X35 UNI 5739	
5	31112213		SCREW TE M10X40 UNI 5739	
6	53220000		GEARBOX	
7	56120047Z		WHEELS DISENGAGEMENT SLEEVE	
8	56120364		SLEEVE	
9	31112212		SCREW TE M10X35 UNI 5739	
10	59290186		GEAR BOX	
11	31423105		SPRING WASHER 10,5	
12	31241080		HEXAGON SELFLOCK NUT M8	
13	31112156		SCREW TE M8X60 UNI 5739 8G	
14	31423084		SPRING WASHER 8,4	
15	31132572		SCREW TSVEI M10X30 UNI 5933	
16	31411084		WASHER 8,4x17	
17	31112153		SCREW TE M8X35 UNI 5739 8G	
18	31111390		SCREW TE M16X30 UNI 5739 8G	
19	31414170		WASHER 17	
20	58020063		COVER GASKET	
21	38214201		OIL SEAL 42X56X7	
22	37111350		BEARING 6207 (35X72X17	
23	55220363		PULLEY BRAKE	
24	56120469Z		ROCKER	
25	31112152		SCREW TE M8X30 UNI 5739 8G	
26	31421083		WASHER	
27	31211080		NUT M8	
28	58020231N		SPRING	



Pos.	Id	Q.ty	Description	Note
29	31152103		SCREW TCEI M10X25 UNI 5931	
30	34110060		SPLIT PIN A6X40 UNI 1336	
31	53121114H		CLUTCH FLANGE	
32	38114445		O-RING 149 (44,45x3,53)	
33	38212002		OIL SEAL 20X40X10	
34	58020037		HANDLEBAR COLUMN GASKET	
35	31423130		SPRING WASHER EL 13 DIN 137-B	
36	31112273		SCREW TE M12X50 UNI 5739	
37	38115239		O-RING OR 156 (52,39X3,53)	
38	53121034		MAIN SHAFT FLANGE	
39	31112150		SCREW TE M8X20 UNI 5739 8G	
40	59020227		LEVER	
40	59020237		LEVER	
41	55120230		SEAL RING	
42	31112155		SCREW TE M8X45 UNI 5739 8G	
43	59290192		COVER	
44	53121112H		SHAFT FLANGE	
45	58002531		FLANGE GASKET	
46	38213001		OIL SEAL 30X52X10	
47	56120469Z		ROCKER	
48	31211160		NUT M16	
49	52320003		CONNECTION	
50	55202665		OIL CAP	
51	55102678		RUBBER RING	
52	58002666		PLUG WITH DIPSTICK	





SERIE

MF 622

INGRANAGGI CAMBIO A INNESTI

SPEED CHANGE GEARS COUPLING ENGRANAGES CHANGEMENT DE VITESSE A ENCLENCHEMENTS
ENGRANAJES CAMBIO DE ENGRANE

DALLA MACCHINA
FROM THE MACHINE
DE LA MAGUINA
DE LA MACHINE

N.

03

Mcc.

1

6/2000

GENE

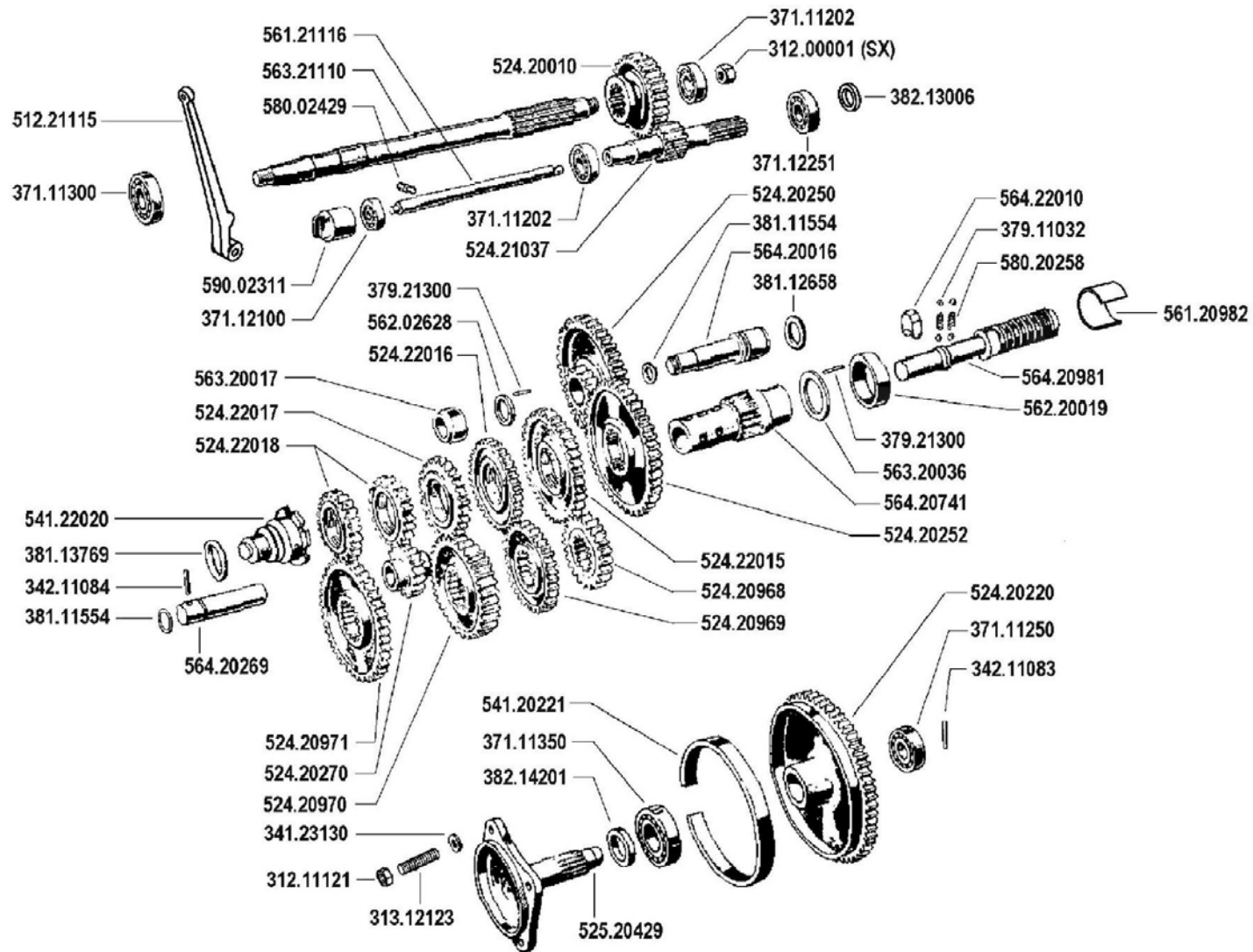



Pos.	Id	Q.ty	Description	Note
31200001	31200001		NUT M18X1,5 UNI 5589 LEFT	
31211121	31211121		NUT M12X1,25	
31312123	31312123		STUD BOLT M12X1,25X30X15X12	
31423130	31423130		SPRING WASHER EL 13 DIN 137-B	
34211083	34211083		ROLL PIN	
34211084	34211084		ROLL PIN	
35121040	35121040		SEEGER RING E 40 DIN 471	
37111202	37111202		BEARING 6304 (20X52X15)	
37111250	37111250		BEARING	
37111300	37111300		BEARING 6206 (30X62X16)	
37111350	37111350		BEARING 6207 (35X72X17)	
37112100	37112100		BEARING 6200-2RS (10X30X9)	
37112251	37112251		BEARING 6305-2RS (25x62x17)SKF	
37112400	37112400		BEARING 6208-2RS (40X80X18)	
37911032	37911032		BALL 5/16	
37921300	37921300		ROLLER	
38111554	38111554		O-RING 3062 (15,54X2,62)	
38112658	38112658		O-RING 4106 (26,58X3,53)	
38112817	38112817		O-RING 4112 (28,17X3,53)	
38113769	38113769		O-RING 4150 (37,69X3,53)	
38213006	38213006		OIL SEAL 30X62X7	
38214201	38214201		OIL SEAL 42X56X7	
51221115	51221115		CLUTCH LEVER	
52420010	52420010		GEAR	
52420220	52420220		GEAR	
52420250	52420250		GEAR	
52420252	52420252		GEAR	
52420270	52420270		GEAR WHEEL	
52420968	52420968		GEAR	



Pos.	Id	Q.ty	Description	Note
52420969	52420969		CONTROL GEAR	
52420970	52420970		GEAR	
52420971	52420971		CONTROL GEAR	
52421037	52421037		OUTPUT SHAFT	
52422015	52422015		PINION	
52422016	52422016		PINION	
52422017	52422017		PINION	
52422018	52422018		PINION	
52520429	52520429		WHEEL HUB	
54120221	54120221		RING	
54122020	54122020		SHAFT III BOTTOM	
56120982	56120982		SLEEVE	
56121116	56121116		CLUTCH ROD (L=213)	
56202628	56202628		SPACER RING	
56220019	56220019		SLEEVE	
56320017	56320017		SPACER	
56320036	56320036		RING	
56321110	56321110		CONTROL SHAFT (l=475)	
56420016	56420016		CRANKSHAFT	
56420050	56420050		PINION	
56420269	56420269		WHEEL SPINDLE	
56420741	56420741		GEARBOX CONTROL PIPE SOCKET	
56420975	56420975		SLEEVE Z=12	
56420980	56420980		CONTROL SHAFT	
56422010	56422010		GEAR RATIO CONTROL DOWEL	
58002429	58002429		CLAMPING SCREW	
58020258	58020258		GEAR RATIO TWITCH SPRING	
59002311	59002311		COMPLETE CLUTCH SHELL	





	SERIE	INGRANAGGI CAMBIO CON DIFFERENZIALE SPEED CHANGE GEARS WITH DIFFERENTIAL ENGRANAJES CAMBIO CON DIFFERENCIAL ENGRANAJES CAMBIO CON DIFFERENCIAL ENGRANAGES CHANGEMENT DE VITESSE AVEC DIFFÉRENTIEL	DALLA MACCHINA FROM THE MACHINE DE LA MAGUINA DE LA MACHINE		Mcc.
	MF 622				04
			N.	6/2000	

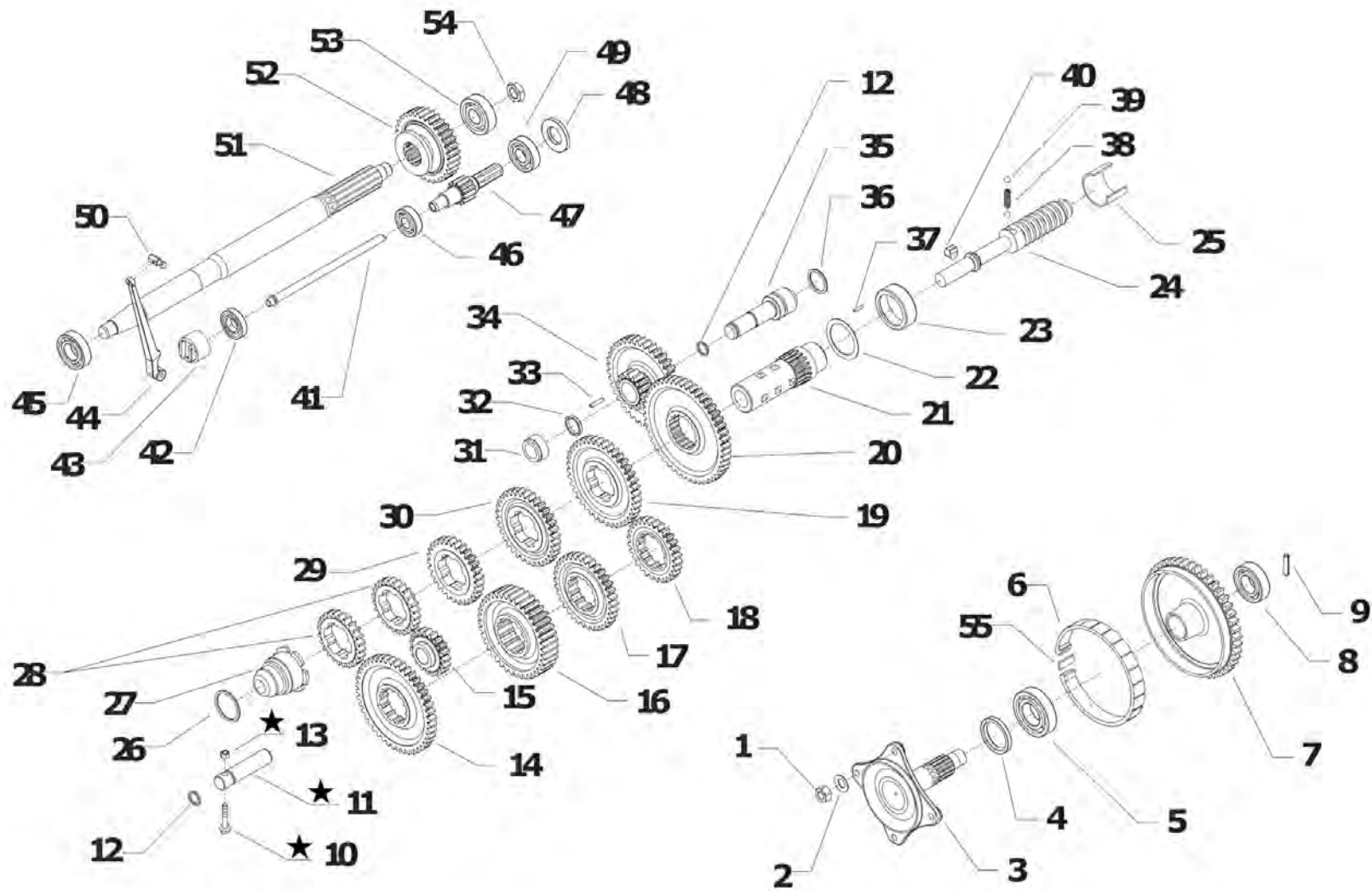


Pos.	Id	Q.ty	Description	Note
31100102	31100102		SCREW TE M12X1,5X20	
31200001	31200001		NUT M18X1,5 UNI 5589 LEFT	
31211121	31211121		NUT M12X1,25	
31312123	31312123		STUD BOLT M12X1,25X30X15X12	
31423130	31423130		SPRING WASHER EL 13 DIN 137-B	
34211083	34211083		ROLL PIN	
34211084	34211084		ROLL PIN	
37111202	37111202		BEARING 6304 (20X52X15)	
37111250	37111250		BEARING	
37111300	37111300		BEARING 6206 (30X62X16)	
37111350	37111350		BEARING 6207 (35X72X17)	
37112100	37112100		BEARING 6200-2RS (10X30X9)	
37112251	37112251		BEARING 6305-2RS (25x62x17)SKF	
37911032	37911032		BALL 5/16	
37921300	37921300		ROLLER	
38111554	38111554		O-RING 3062 (15,54X2,62)	
38112658	38112658		O-RING 4106 (26,58X3,53)	
38113769	38113769		O-RING 4150 (37,69X3,53)	
38213006	38213006		OIL SEAL 30X62X7	
38214201	38214201		OIL SEAL 42X56X7	
51220004	51220004		CLUTCH LEVER	
52420010	52420010		GEAR	
52420220	52420220		GEAR	
52420252	52420252		GEAR	
52420270	52420270		GEAR WHEEL	
52420968	52420968		GEAR	
52420969	52420969		CONTROL GEAR	
52420970	52420970		GEAR	
52420971	52420971		CONTROL GEAR	



Pos.	Id	Q.ty	Description	Note
52421037	52421037		OUTPUT SHAFT	
52422015	52422015		PINION	
52422016	52422016		PINION	
52422017	52422017		PINION	
52422018	52422018		PINION	
52520429	52520429		WHEEL HUB	
54120221	54120221		RING	
54122020	54122020		SHAFT III BOTTOM	
56120982	56120982		SLEEVE	
56121116	56121116		CLUTCH ROD (L=213)	
56202628	56202628		SPACER RING	
56220019	56220019		SLEEVE	
56320017	56320017		SPACER	
56320036	56320036		RING	
56321110	56321110		CONTROL SHAFT (l=475)	
56420016	56420016		CRANKSHAFT	
56420269	56420269		WHEEL SPINDLE	
56420741	56420741		GEARBOX CONTROL PIPE SOCKET	
56420981	56420981		CONTROL SHAFT	
56422010	56422010		GEAR RATIO CONTROL DOWEL	
58002429	58002429		CLAMPING SCREW	
58020258	58020258		GEAR RATIO TWITCH SPRING	
59002311	59002311		COMPLETE CLUTCH SHELL	





i = info - stop 2 sec. ★ = new part

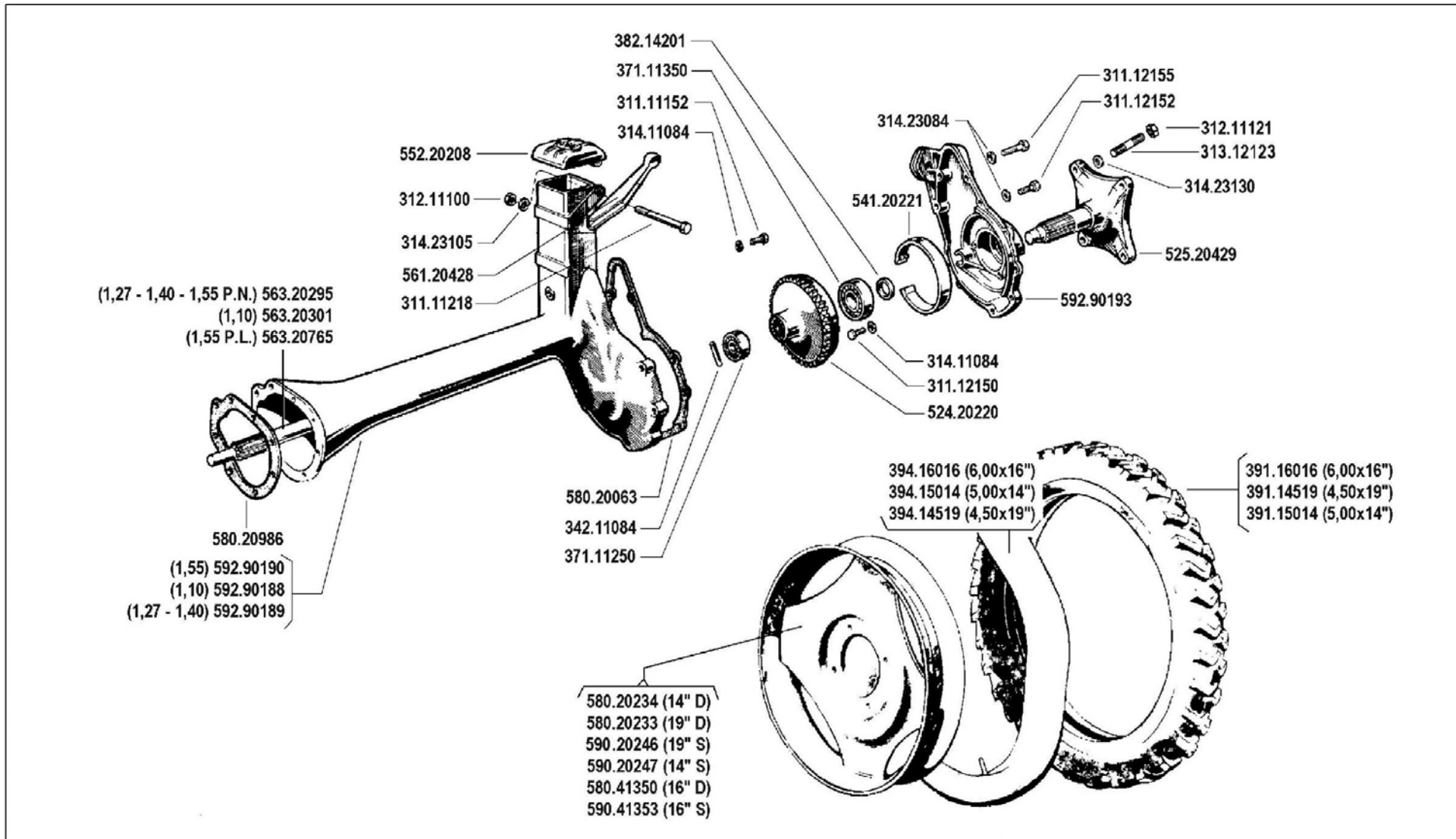


Pos.	Id	Q.ty	Description	Note
1	31211121		NUT M12X1,25	
2	31423130		SPRING WASHER EL 13 DIN 137-B	
3	52320232		WHEEL HUB	
4	38214201		OIL SEAL 42X56X7	
5	37111350		BEARING 6207 (35X72X17	
6	54120221		RING	
7	52420220		GEAR	
8	37111250		BEARING	
9	34211083		ROLL PIN	
10	31112168		SCREW TE C/F M8X45 DIN6921	REPLACES 34211084
11	56420788		GEAR WHEEL PIN	
12	38111554		O-RING 3062 (15,54X2,62)	
13	31241085		SELFLOCK NUT M8 6S	REPLACES 34211084
14	52420971		CONTROL GEAR	
15	52420270		GEAR WHEEL	
16	52420970		GEAR	
17	52420969		CONTROL GEAR	
18	52420968		GEAR	
19	52422015		PINION	
20	52420252		GEAR	
21	56420741		GEARBOX CONTROL PIPE SOCKET	
22	56320036		RING	
23	56220019		SLEEVE	
24	56420981		CONTROL SHAFT	
25	56120982		SLEEVE	
26	38113769		O-RING 4150 (37,69X3,53)	
27	54122020		SHAFT III BOTTOM	
28	52422018		PINION	
29	52422017		PINION	



Pos.	Id	Q.ty	Description	Note
30	52422016		PINION	
31	56320017		SPACER	
32	56202628		SPACER RING	
33	37921300		ROLLER	
34	52420250		GEAR	
35	56420016		CRANKSHAFT	
36	38112658		O-RING 4106 (26,58X3,53)	
37	37921300		ROLLER	
38	58020258		GEAR RATIO TWITCH SPRING	
39	37911032		BALL 5/16	
40	56422010		GEAR RATIO CONTROL DOWEL	
41	56121116		CLUTCH ROD (L=213)	
42	37112100		BEARING 6200-2RS (10X30X9)	
43	59002311		COMPLETE CLUTCH SHELL	
44	51221115		CLUTCH LEVER	
45	37111300		BEARING 6206 (30X62X16)	
46	37112251		BEARING 6305-2RS (25x62x17)SKF	
47	52421037		OUTPUT SHAFT	
48	38213006		OIL SEAL 30X62X7	
49	37112251		BEARING 6305-2RS (25x62x17)SKF	
50	58002429		CLAMPING SCREW	
51	56321110		CONTROL SHAFT (l=475)	
52	52420010		GEAR	
53	37111202		BEARING 6304 (20X52X15)	
54	31200001		NUT M18X1,5 UNI 5589 LEFT	
55	56320216		PLATE	





SERIE
MF 622

PONTE E RUOTE PER DIFFERENZIALE
 AXLE AND WHEELS FOR DIFFERENTIAL
 PUNTE Y RUEDAS PARA DIFERENCIAL
 PONT ET ROUES POUR DIFFÉRENTIEL

DALLA MACCHINA
FROM THE MACHINE
DE LA MAGUINA
DE LA MACHINE

N. _____

05	Mcc.	1
	6/2000	

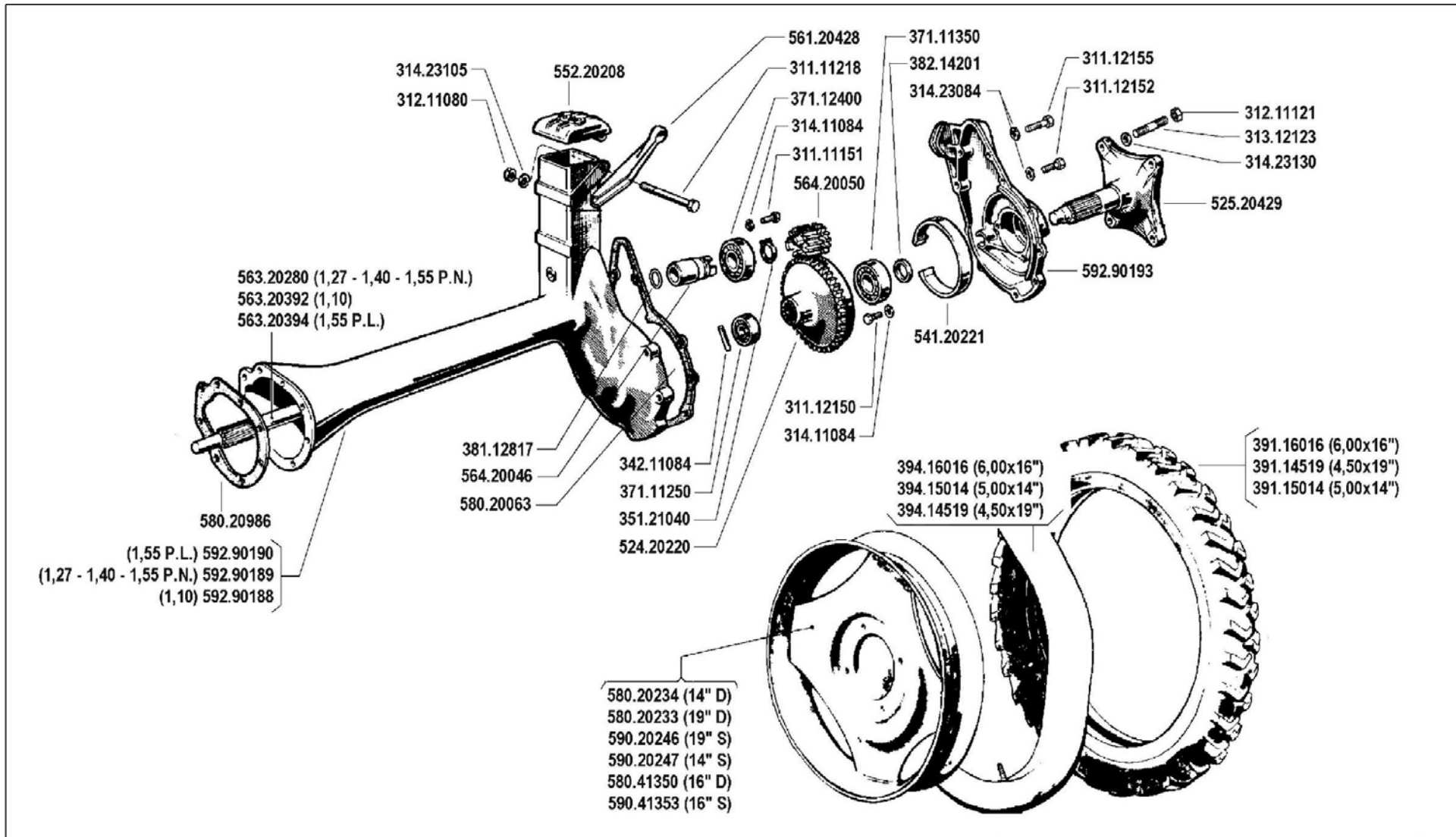


Pos.	Id	Q.ty	Description	Note
31100102	31100102		SCREW TE M12X1,5X20	
31111152	31111152		SCREW TE M8X20 UNI 5739 5S	
31111218	31111218		SCREW TE M10X140 UNI 5737 8G	
31112150	31112150		SCREW TE M8X20 UNI 5739 8G	
31112152	31112152		SCREW TE M8X30 UNI 5739 8G	
31112155	31112155		SCREW TE M8X45 UNI 5739 8G	
31211100	31211100		NUT M10	
31211121	31211121		NUT M12X1,25	
31312123	31312123		STUD BOLT M12X1,25X30X15X12	
31411084	31411084		WASHER 8,4x17	
31423084	31423084		SPRING WASHER 8,4	
31423105	31423105		SPRING WASHER 10,5	
31423130	31423130		SPRING WASHER EL 13 DIN 137-B	
34211084	34211084		ROLL PIN	
37111250	37111250		BEARING	
37111350	37111350		BEARING 6207 (35X72X17	
38214201	38214201		OIL SEAL 42X56X7	
39114519	39114519		TYRE 4.50-19 2PR	
39115014	39115014		TYRE 5.00-14 4PR	
39414519	39414519		INNER TUBE X 4.50-19	
39415014	39415014		INNER TUBE X 5.00-14	
52420220	52420220		GEAR	
52520429	52520429		WHEEL HUB	
54120221	54120221		RING	
55220208	55220208		COVER	
56120428	56120428		LH ROD ARM	
56320295	56320295		AXLE SHAFT	
56320301	56320301		AXLE SHAFT	
56320765	56320765		AXLE SHAFT	



Pos.	Id	Q.ty	Description	Note
58020063	58020063		COVER GASKET	
58020233	58020233		WHEEL	
58020234	58020234		WHEEL	
58020986	58020986		AXLE PROTECTION GASKET	
59020246	59020246		WHEEL	
59020247	59020247		WHEEL	
59290188	59290188		AXLE	
59290189	59290189		AXLE 127-140-155PN W/BUSHING	
59290190	59290190		AXLE	
59290193	59290193		COVER	





SERIE

MF 622

PONTE E RUOTE PER INNESTI

AXLE AND WHEELS FOR COUPLINGS

PONT ET ROUES POUR ENCLACHEMENTS

PUENTE Y RUEDAS PARA ENGRANES

DALLA MACCHINA
FROM THE MACHINE
DE LA MAGUINA
DE LA MACHINE

N.

06

Mcc.

1

6/2000

GENE

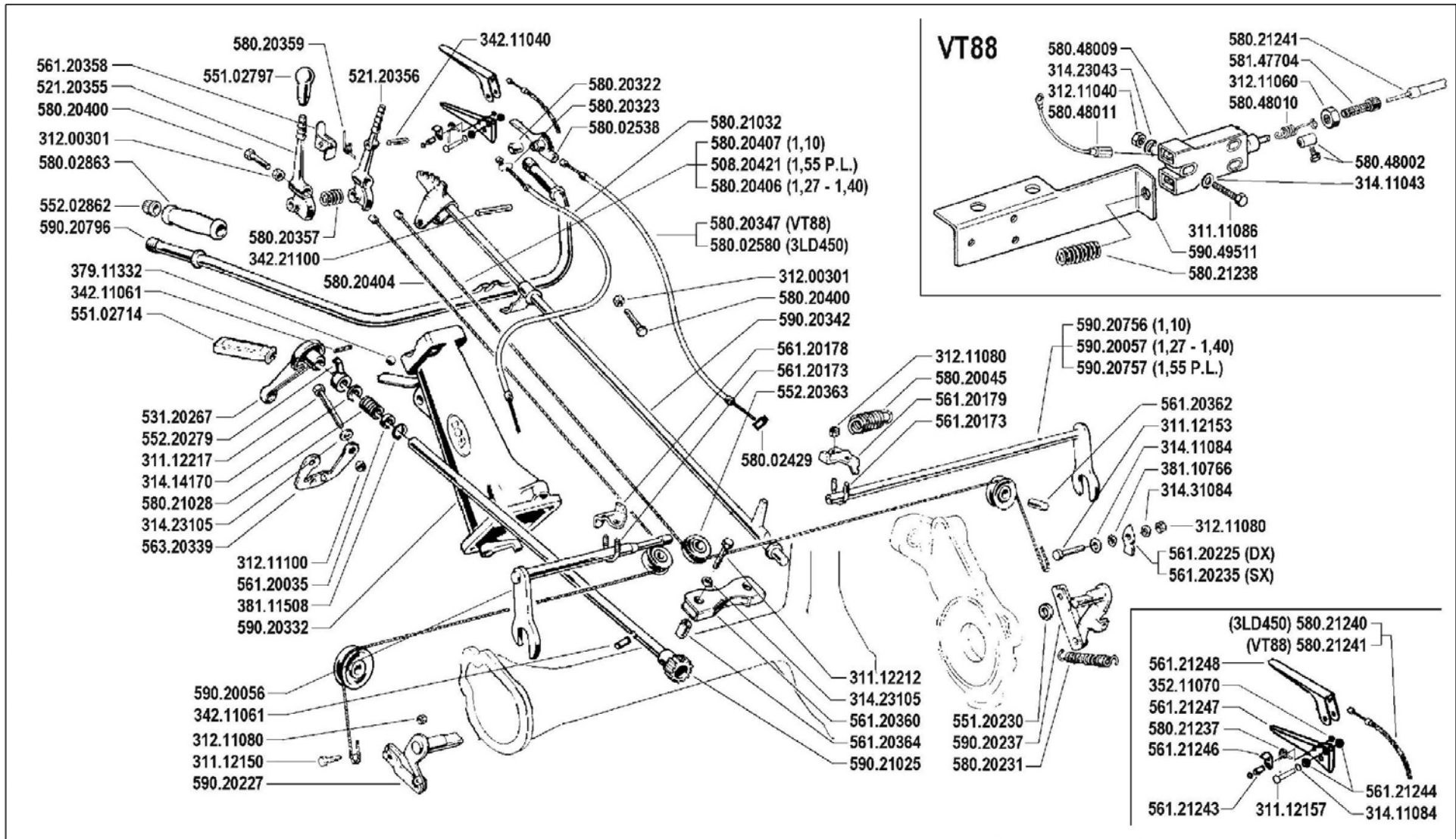


Pos.	Id	Q.ty	Description	Note
31100102	31100102		SCREW TE M12X1,5X20	
31111151	31111151		SCREW TE M8X16 UNI 5739 8G	
31111218	31111218		SCREW TE M10X140 UNI 5737 8G	
31112150	31112150		SCREW TE M8X20 UNI 5739 8G	
31112152	31112152		SCREW TE M8X30 UNI 5739 8G	
31112155	31112155		SCREW TE M8X45 UNI 5739 8G	
31211080	31211080		NUT M8	
31211121	31211121		NUT M12X1,25	
31312123	31312123		STUD BOLT M12X1,25X30X15X12	
31411084	31411084		WASHER 8,4x17	
31423084	31423084		SPRING WASHER 8,4	
31423105	31423105		SPRING WASHER 10,5	
31423130	31423130		SPRING WASHER EL 13 DIN 137-B	
34211084	34211084		ROLL PIN	
35121040	35121040		SEEGER RING E 40 DIN 471	
37111250	37111250		BEARING	
37111350	37111350		BEARING 6207 (35X72X17	
37112400	37112400		BEARING 6208-2RS (40X80X18)	
38112817	38112817		O-RING 4112 (28,17X3,53)	
38214201	38214201		OIL SEAL 42X56X7	
39114519	39114519		TYRE 4.50-19 2PR	
39115014	39115014		TYRE 5.00-14 4PR	
39116016	39116016		TYRE 6.00-16 6PR TM	
39414519	39414519		INNER TUBE X 4.50-19	
39415014	39415014		INNER TUBE X 5.00-14	
39416016	39416016		INNER TUBE X 6.00-16	
52420220	52420220		GEAR	
52520429	52520429		WHEEL HUB	
54120221	54120221		RING	



Pos.	Id	Q.ty	Description	Note
55220208	55220208		COVER	
56120428	56120428		LH ROD ARM	
56320280	56320280		CONTROL SHAFT	
56320392	56320392		CONTROL SHAFT MF 1,10	
56320394	56320394		CONTROL SHAFT MF1,55 PL	
56420046	56420046		SLEEVE	
56420050	56420050		PINION	
58020063	58020063		COVER GASKET	
58020233	58020233		WHEEL	
58020234	58020234		WHEEL	
58020986	58020986		AXLE PROTECTION GASKET	
58041350	58041350		WHEEL	
59020246	59020246		WHEEL	
59020247	59020247		WHEEL	
59041353	59041353		WHEEL	
59290188	59290188		AXLE	
59290189	59290189		AXLE 127-140-155PN W/BUSHING	
59290190	59290190		AXLE	
59290193	59290193		COVER	





SERIE

MF 622

MANUBRIO E COMANDI PER INNESTI

HANDLEBAR AND CONTROLS FOR COUPLINGS MANCHERON ET COMMANDES POUR ENCLACHEMENTS
MANUBRIO Y MANDOS PARA ENGRANES

DALLA MACCHINA
FROM THE MACHINE
DE LA MAQUINA
DE LA MACHINE

N.

		Mcc.
	07	1
	6/2000	



Pos.	Id	Q.ty	Description	Note
31111086	31111086		SCREW TE M4X25 UNI 5739 8G	
31112150	31112150		SCREW TE M8X20 UNI 5739 8G	
31112153	31112153		SCREW TE M8X35 UNI 5739 8G	
31112157	31112157		SCREW TE M8X50 UNI 5739 8G	
31112212	31112212		SCREW TE M10X35 UNI 5739	
31112217	31112217		SCREW TE M10X80 UNI 5737	
31200301	31200301		HEXAGON NUT M10 CH13	
31211060	31211060		HEXAGONAL NUT M8	
31211080	31211080		NUT M8	
31211100	31211100		NUT M10	
31411043	31411043		WASHER 4,3X9	
31411084	31411084		WASHER 8,4x17	
31411105	31411105		WASHER 10,5x21 UNI 6592	
31414170	31414170		WASHER 17	
31423043	31423043		SPRING WASHER 4,3	
31423105	31423105		SPRING WASHER 10,5	
31431084	31431084		LOCK WASHER 8,4	
34211040	34211040		ROLL PIN	
34211061	34211061		ROLL PIN	
34221100	34221100		CYLINDRICAL PLUG 10X50 UNI1707	
35211070	35211070		SEEGER RING E 7 DIN 471	
37911332	37911332		BALL 13/32	
38110766	38110766		O-RING 2031 (7,66X1,78)	
38111508	38111508		O-RING 119 (15,08x2,62)	
52120355	52120355		LEVER	
52120356	52120356		LEVER	
53120267	53120267		KNOB	
55102714	55102714		FLAT KNOB	
55102797	55102797		KNOB	

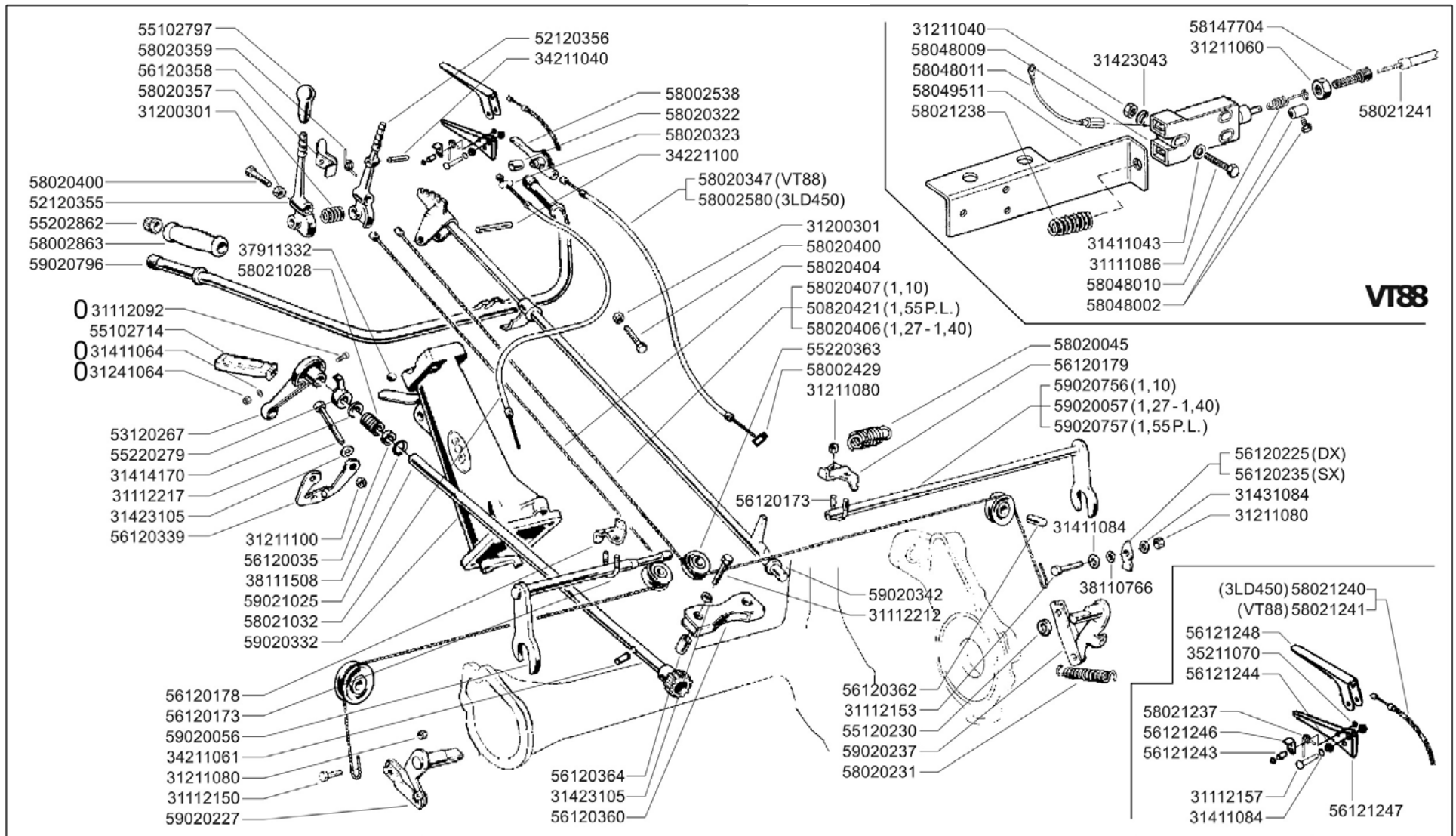


Pos.	Id	Q.ty	Description	Note
55120230	55120230		SEAL RING	
55202862	55202862		RING NUT	
55220279	55220279		GEAR INDICATOR	
55220363	55220363		PULLEY BRAKE	
56120035	56120035		CUP	
56120173	56120173		BRACKET	
56120178	56120178		GUIDE ROD	
56120179	56120179		GUIDE ROD	
56120225	56120225		SMALL PLATE	
56120235	56120235		SMALL PLATE	
56120358	56120358		SMALL LEVER	
56120360	56120360		SUPPORT	
56120362	56120362		PIN	
56120364	56120364		SLEEVE	
56121243	56121243		CABLE CLAMP	
56121244	56121244		SPACER	
56121246	56121246		LEVER STOP	
56121247	56121247		COMMAND LEVER	
56121248	56121248		LEVER	
56320339	56320339		SPRING	
58002429	58002429		CLAMPING SCREW	
58002538	58002538		ACCELERATOR	
58002580	58002580		LINE AND SHEATH (L=980)	
58002863	58002863		KNOB	
58020045	58020045		SPRING	
58020231	58020231		SPRING	
58020322	58020322		RING	
58020323	58020323		STUD BOLT	
58020347	58020347		LINE AND SHEATH (L=770)	



Pos.	Id	Q.ty	Description	Note
58020357	58020357		SPRING	
58020359	58020359		SPRING	
58020400	58020400		ADJUSTING SCREW M10	
58020404	58020404		RH BRAKE CABLE L=990	
58020406	58020406		LH BRAKE CABLE L=1690	
58020407	58020407		LH BRAKE CABLE X 1,10M L=1490	
58020421	58020421		LH BRAKE CABLE L=1840 X 1,10 M	
58021028	58021028		SPEED CONTROL ROD SPRING	
58021032	58021032		CLUTCH SHEATH & LINE L=780	
58021237	58021237		SPRING	
58021238	58021238		SPRING	
58021240	58021240		LINE AND SHEATH (L=540)	
58021241	58021241		LINE AND SHEATH (L=840)	
58048002	58048002		CLAMPING SCREW	
58048009	58048009		ENGINE STOP SWITCH	
58048010	58048010		SPRING	
58048011	58048011		WIRING	
58147704	58147704		ADJUSTING SCREW	
59020056	59020056		COMPLETE RH DISENGAGEM. FORK	
59020057	59020057		LH COMPLETE FORK	
59020227	59020227		LEVER	
59020237	59020237		LEVER	
59020332	59020332		HANDLE BAR COLUMN	
59020342	59020342		STEERING SHAFT	
59020756	59020756		COMPLETE FORK	
59020757	59020757		COMPLETE FORK	
59020796	59020796		COMPLETE HANDLE BAR	
59021025	59021025		PULL ROD	
59049511	59049511		SWITCH SUPPORT	





SERIE
MF 622

MANUBRIO E COMANDI PER INNESTI
HANDLEBAR AND CONTROLS FOR COUPLINGS
MANCHERON ET COMMANDES POUR ENCLECHEMENTS
MANUBRIO Y MANDOS PARA ENGRANES

DALLA MACCHINA FROM THE MACHINE DE LA MAQUINA DE LA MACHINE

0 N.
876152

Mod.	07	2
	02/2011	



Pos.	Id	Q.ty	Description	Note
31111086	31111086	1	SCREW TE M4X25 UNI 5739 8G	
31112092	31112092	1	SCREW TE M6X35 UNI 5739 8G	
31112150	31112150	1	SCREW TE M8X20 UNI 5739 8G	
31112153	31112153	1	SCREW TE M8X35 UNI 5739 8G	
31112157	31112157	1	SCREW TE M8X50 UNI 5739 8G	
31112212	31112212	1	SCREW TE M10X35 UNI 5739	
31112217	31112217	1	SCREW TE M10X80 UNI 5737	
31200301	31200301	1	HEXAGON NUT M10 CH13	
31211060	31211060	1	HEXAGONAL NUT M8	
31211080	31211080	1	NUT M8	
31211100	31211100	1	NUT M10	
31241064	31241064	1	LEAFLET	
31411043	31411043	1	WASHER 4,3X9	
31411064	31411064	1	WASHER 6,4x12,5	
31411084	31411084	1	WASHER 8,4x17	
31411105	31411105	1	WASHER 10,5x21 UNI 6592	
31414170	31414170	1	WASHER 17	
31423043	31423043	1	SPRING WASHER 4,3	
31423105	31423105	1	SPRING WASHER 10,5	
31431084	31431084	1	LOCK WASHER 8,4	
34211040	34211040	1	ROLL PIN	
34211061	34211061	1	ROLL PIN	
34221100	34221100	1	CYLINDRICAL PLUG 10X50 UNI1707	
35211070	35211070	1	SEEGER RING E 7 DIN 471	
37911332	37911332	1	BALL 13/32	
38110766	38110766	1	O-RING 2031 (7,66X1,78)	
38111508	38111508	1	O-RING 119 (15,08x2,62)	
52120355	52120355	1	LEVER	
52120356	52120356	1	LEVER	



Pos.	Id	Q.ty	Description	Note
53120267	53120267	1	KNOB	
55102714	55102714	1	FLAT KNOB	
55102797	55102797	1	KNOB	
55120230	55120230	1	SEAL RING	
55202862	55202862	1	RING NUT	
55220279	55220279	1	GEAR INDICATOR	
55220363	55220363	1	PULLEY BRAKE	
56120035	56120035	1	CUP	
56120173	56120173	1	BRACKET	
56120178	56120178	1	GUIDE ROD	
56120179	56120179	1	GUIDE ROD	
56120225	56120225	1	SMALL PLATE	
56120235	56120235	1	SMALL PLATE	
56120358	56120358	1	SMALL LEVER	
56120360	56120360	1	SUPPORT	
56120362	56120362	1	PIN	
56120364	56120364	1	SLEEVE	
56121243	56121243	1	CABLE CLAMP	
56121244	56121244	1	SPACER	
56121246	56121246	1	LEVER STOP	
56121247	56121247	1	COMMAND LEVER	
56121248	56121248	1	LEVER	
56320339	56320339	1	SPRING	
58002429	58002429	1	CLAMPING SCREW	
58002538	58002538	1	ACCELERATOR	
58002580	58002580	1	LINE AND SHEATH (L=980)	
58002863	58002863	1	KNOB	
58020045	58020045	1	SPRING	
58020231	58020231	1	SPRING	

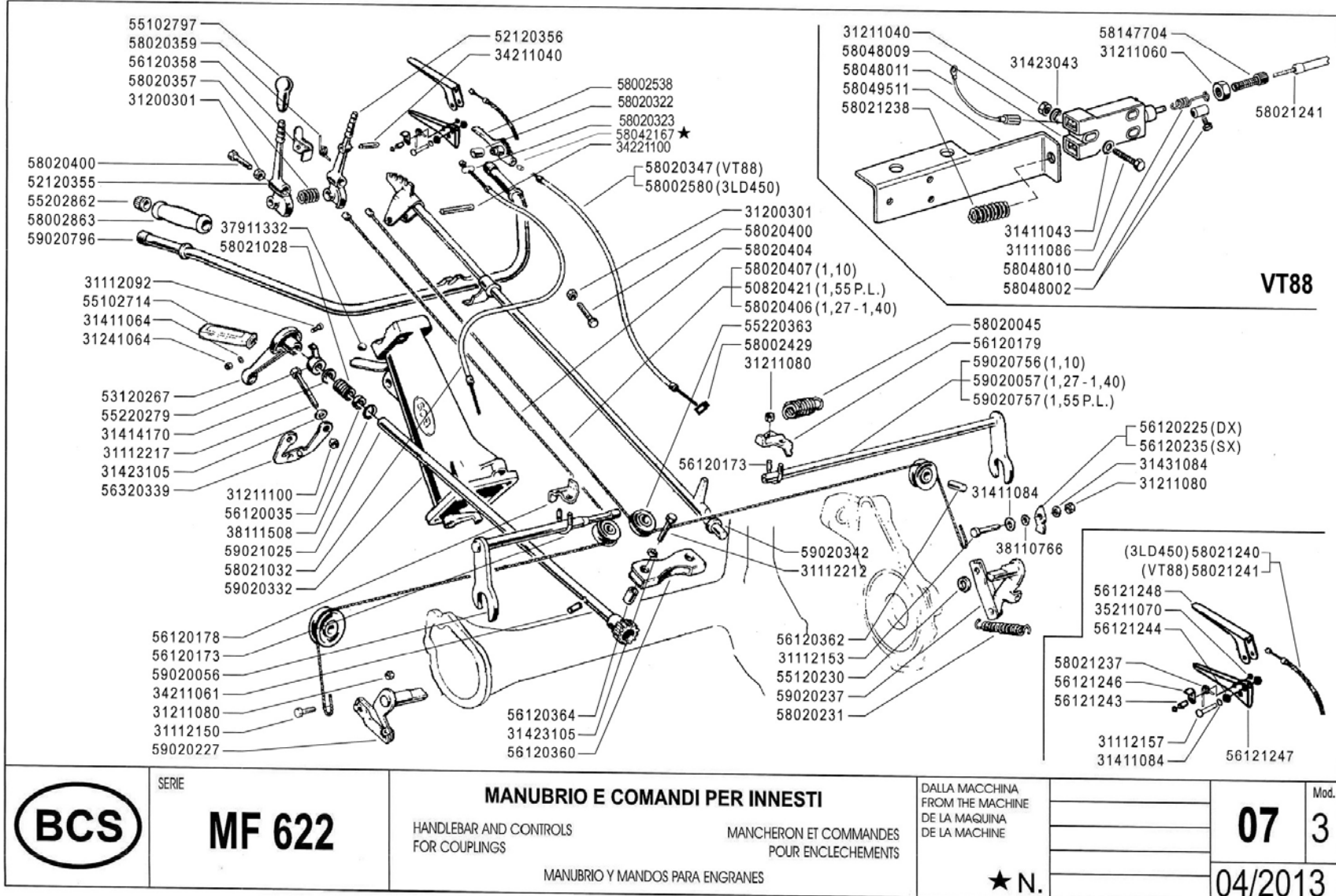


Pos.	Id	Q.ty	Description	Note
58020322	58020322	1	RING	
58020323	58020323	1	STUD BOLT	
58020347	58020347	1	LINE AND SHEATH (L=770)	
58020357	58020357	1	SPRING	
58020359	58020359	1	SPRING	
58020400	58020400	1	ADJUSTING SCREW M10	
58020404	58020404	1	RH BRAKE CABLE L=990	
58020406	58020406	1	LH BRAKE CABLE L=1690	
58020407	58020407	1	LH BRAKE CABLE X 1,10M L=1490	
58020421	58020421	1	LH BRAKE CABLE L=1840 X 1,10 M	
58021028	58021028	1	SPEED CONTROL ROD SPRING	
58021032	58021032	1	CLUTCH SHEATH & LINE L=780	
58021237	58021237	1	SPRING	
58021238	58021238	1	SPRING	
58021240	58021240	1	LINE AND SHEATH (L=540)	
58021241	58021241	1	LINE AND SHEATH (L=840)	
58048002	58048002	1	CLAMPING SCREW	
58048009	58048009	1	ENGINE STOP SWITCH	
58048010	58048010	1	SPRING	
58048011	58048011	1	WIRING	
58147704	58147704	1	ADJUSTING SCREW	
59020056	59020056	1	COMPLETE RH DISENGAGEM. FORK	
59020057	59020057	1	LH COMPLETE FORK	
59020227	59020227	1	LEVER	
59020237	59020237	1	LEVER	
59020332	59020332	1	HANDLE BAR COLUMN	
59020342	59020342	1	STEERING SHAFT	
59020756	59020756	1	COMPLETE FORK	
59020757	59020757	1	COMPLETE FORK	



Pos.	Id	Q.ty	Description	Note
59020796	59020796	1	COMPLETE HANDLE BAR	
59021025	59021025	1	PULL ROD	
59049511	59049511	1	SWITCH SUPPORT	





Pos.	Id	Q.ty	Description	Note
31111086	31111086	1	SCREW TE M4X25 UNI 5739 8G	
31112092	31112092	1	SCREW TE M6X35 UNI 5739 8G	
31112150	31112150	1	SCREW TE M8X20 UNI 5739 8G	
31112153	31112153	1	SCREW TE M8X35 UNI 5739 8G	
31112157	31112157	1	SCREW TE M8X50 UNI 5739 8G	
31112212	31112212	1	SCREW TE M10X35 UNI 5739	
31112217	31112217	1	SCREW TE M10X80 UNI 5737	
31200301	31200301	1	HEXAGON NUT M10 CH13	
31211060	31211060	1	HEXAGONAL NUT M8	
31211080	31211080	1	NUT M8	
31211100	31211100	1	NUT M10	
31241064	31241064	1	LEAFLET	
31411043	31411043	1	WASHER 4,3X9	
31411064	31411064	1	WASHER 6,4x12,5	
31411084	31411084	1	WASHER 8,4x17	
31411105	31411105	1	WASHER 10,5x21 UNI 6592	
31414170	31414170	1	WASHER 17	
31423043	31423043	1	SPRING WASHER 4,3	
31423105	31423105	1	SPRING WASHER 10,5	
31431084	31431084	1	LOCK WASHER 8,4	
34211040	34211040	1	ROLL PIN	
34211061	34211061	1	ROLL PIN	
34221100	34221100	1	CYLINDRICAL PLUG 10X50 UNI1707	
35211070	35211070	1	SEEGER RING E 7 DIN 471	
37911332	37911332	1	BALL 13/32	
38110766	38110766	1	O-RING 2031 (7,66X1,78)	
38111508	38111508	1	O-RING 119 (15,08x2,62)	
52120355	52120355	1	LEVER	
52120356	52120356	1	LEVER	



Pos.	Id	Q.ty	Description	Note
53120267	53120267	1	KNOB	
55102714	55102714	1	FLAT KNOB	
55102797	55102797	1	KNOB	
55120230	55120230	1	SEAL RING	
55202862	55202862	1	RING NUT	
55220279	55220279	1	GEAR INDICATOR	
55220363	55220363	1	PULLEY BRAKE	
56120035	56120035	1	CUP	
56120173	56120173	1	BRACKET	
56120178	56120178	1	GUIDE ROD	
56120179	56120179	1	GUIDE ROD	
56120225	56120225	1	SMALL PLATE	
56120235	56120235	1	SMALL PLATE	
56120358	56120358	1	SMALL LEVER	
56120360	56120360	1	SUPPORT	
56120362	56120362	1	PIN	
56120364	56120364	1	SLEEVE	
56121243	56121243	1	CABLE CLAMP	
56121244	56121244	1	SPACER	
56121246	56121246	1	LEVER STOP	
56121247	56121247	1	COMMAND LEVER	
56121248	56121248	1	LEVER	
56320339	56320339	1	SPRING	
58002429	58002429	1	CLAMPING SCREW	
58002538	58002538	1	ACCELERATOR	
58002580	58002580	1	LINE AND SHEATH (L=980)	
58002863	58002863	1	KNOB	
58020045	58020045	1	SPRING	
58020231	58020231	1	SPRING	

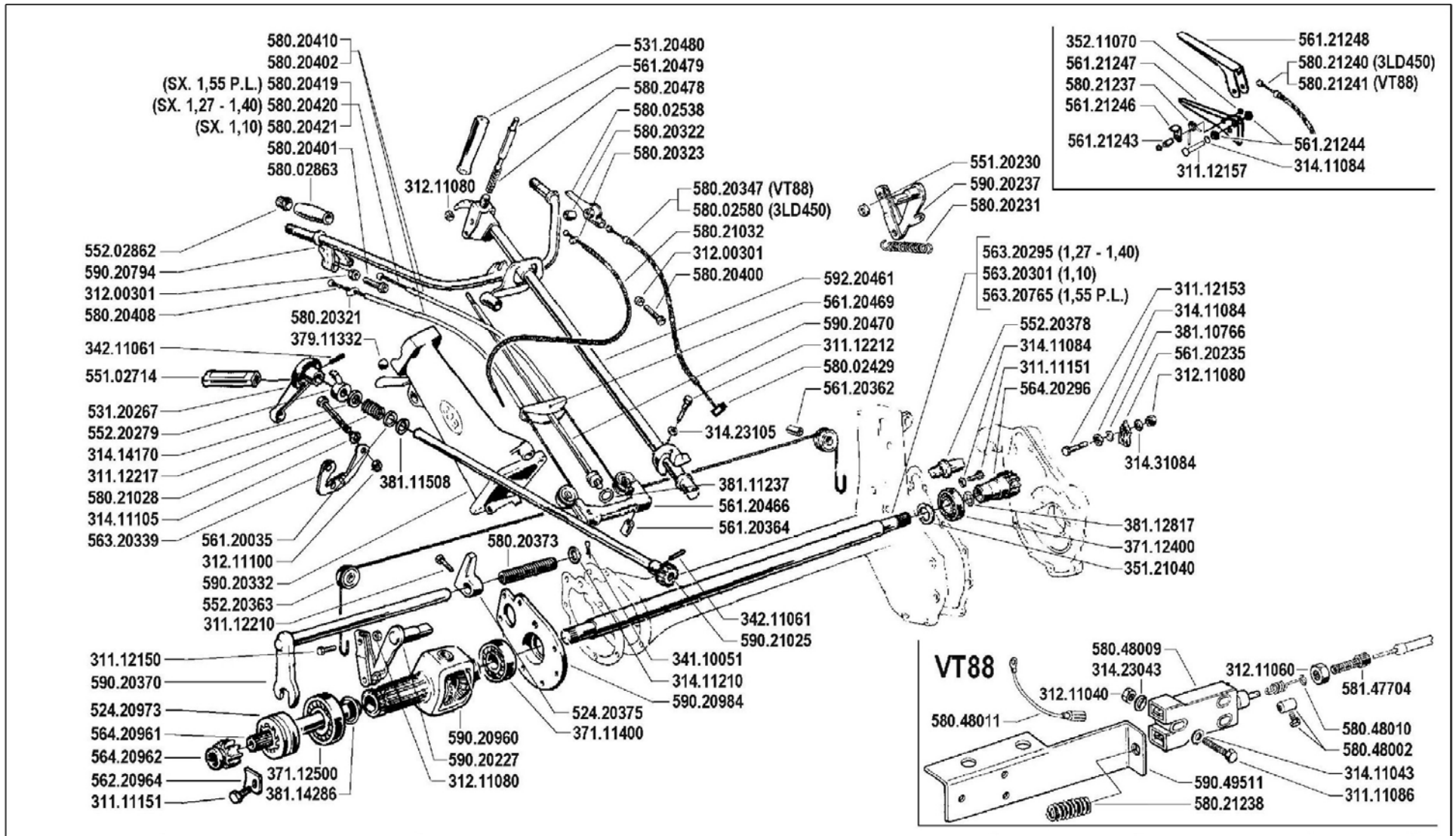


Pos.	Id	Q.ty	Description	Note
58020322	58020322	1	RING	
58020323	58020323	1	STUD BOLT	
58020347	58020347	1	LINE AND SHEATH (L=770)	
58020357	58020357	1	SPRING	
58020359	58020359	1	SPRING	
58020400	58020400	1	ADJUSTING SCREW M10	
58020404	58020404	1	RH BRAKE CABLE L=990	
58020406	58020406	1	LH BRAKE CABLE L=1690	
58020407	58020407	1	LH BRAKE CABLE X 1,10M L=1490	
58020421	58020421	1	LH BRAKE CABLE L=1840 X 1,10 M	
58021028	58021028	1	SPEED CONTROL ROD SPRING	
58021032	58021032	1	CLUTCH SHEATH & LINE L=780	
58021237	58021237	1	SPRING	
58021238	58021238	1	SPRING	
58021240	58021240	1	LINE AND SHEATH (L=540)	
58021241	58021241	1	LINE AND SHEATH (L=840)	
58042167	58042167	1	SHEATH END	
58048002	58048002	1	CLAMPING SCREW	
58048009	58048009	1	ENGINE STOP SWITCH	
58048010	58048010	1	SPRING	
58048011	58048011	1	WIRING	
58147704	58147704	1	ADJUSTING SCREW	
59020056	59020056	1	COMPLETE RH DISENGAGEM. FORK	
59020057	59020057	1	LH COMPLETE FORK	
59020227	59020227	1	LEVER	
59020237	59020237	1	LEVER	
59020332	59020332	1	HANDLE BAR COLUMN	
59020342	59020342	1	STEERING SHAFT	
59020756	59020756	1	COMPLETE FORK	



Pos.	Id	Q.ty	Description	Note
59020757	59020757	1	COMPLETE FORK	
59020796	59020796	1	COMPLETE HANDLE BAR	
59021025	59021025	1	PULL ROD	
59049511	59049511	1	SWITCH SUPPORT	





SERIE
MF 622

MANUBRIO E COMANDI PER DIFFERENZIALE
HANDLEBAR AND CONTROLS FOR DIFFERENTIAL MANCHERON ET COMMANDES POUR DIFFÉRENTIEL
MANUBRIO Y MANDOS PARA DIFERENCIAL

DALLA MACCHINA FROM THE MACHINE DE LA MAQUINA DE LA MACHINE

N.				Mcc.
				1
			08	
			6/2000	



Pos.	Id	Q.ty	Description	Note
31111086	31111086		SCREW TE M4X25 UNI 5739 8G	
31111151	31111151		SCREW TE M8X16 UNI 5739 8G	
31112150	31112150		SCREW TE M8X20 UNI 5739 8G	
31112157	31112157		SCREW TE M8X50 UNI 5739 8G	
31112210	31112210		SCREW TE M10X20 UNI 5739	
31112212	31112212		SCREW TE M10X35 UNI 5739	
31112217	31112217		SCREW TE M10X80 UNI 5737	
31200301	31200301		HEXAGON NUT M10 CH13	
31211040	31211040		NUT M4	
31211060	31211060		HEXAGONAL NUT M8	
31211080	31211080		NUT M8	
31211100	31211100		NUT M10	
31411043	31411043		WASHER 4,3X9	
31411084	31411084		WASHER 8,4x17	
31411105	31411105		WASHER 10,5x21 UNI 6592	
31411210	31411210		WASHER 21x37	
31414170	31414170		WASHER 17	
31423043	31423043		SPRING WASHER 4,3	
31423105	31423105		SPRING WASHER 10,5	
31431084	31431084		LOCK WASHER 8,4	
34110051	34110051		SPLIT PIN A5X40 UNI 1336	
34211061	34211061		ROLL PIN	
35121040	35121040		SEEGER RING E 40 DIN 471	
35211070	35211070		SEEGER RING E 7 DIN 471	
37111400	37111400		BEARING 6008 (40X68X15)	
37112400	37112400		BEARING 6208-2RS (40X80X18)	
37112500	37112500		BEARING 6010-2RS (50X80X16)	
37911332	37911332		BALL 13/32	
38110766	38110766		O-RING 2031 (7,66X1,78)	



Pos.	Id	Q.ty	Description	Note
38111237	38111237		O-RING 3043 (10,78X2,62)	
38111508	38111508		O-RING 119 (15,08x2,62)	
38112817	38112817		O-RING 4112 (28,17X3,53)	
38114286	38114286		O-RING 147 (42,82x3,53)	
52420375	52420375		TERMINAL	
52420973	52420973		SLEEVE	
53120267	53120267		KNOB	
53120480	53120480		KNOB	
55102714	55102714		FLAT KNOB	
55120230	55120230		SEAL RING	
55202862	55202862		RING NUT	
55220279	55220279		GEAR INDICATOR	
55220363	55220363		PULLEY BRAKE	
55220378	55220378		PLUG	
56120035	56120035		CUP	
56120235	56120235		SMALL PLATE	
56120362	56120362		PIN	
56120364	56120364		SLEEVE	
56120466	56120466		SUPPORT	
56120469	56120469		ROCKER	
56120479	56120479		PUSHBUTTON	
56120921	56120921		CLUTCH LEVER	
56121243	56121243		CABLE CLAMP	
56121244	56121244		SPACER	
56121246	56121246		LEVER STOP	
56121247	56121247		COMMAND LEVER	
56121248	56121248		LEVER	
56220964	56220964		SMALL PLATE	
56320295	56320295		AXLE SHAFT	

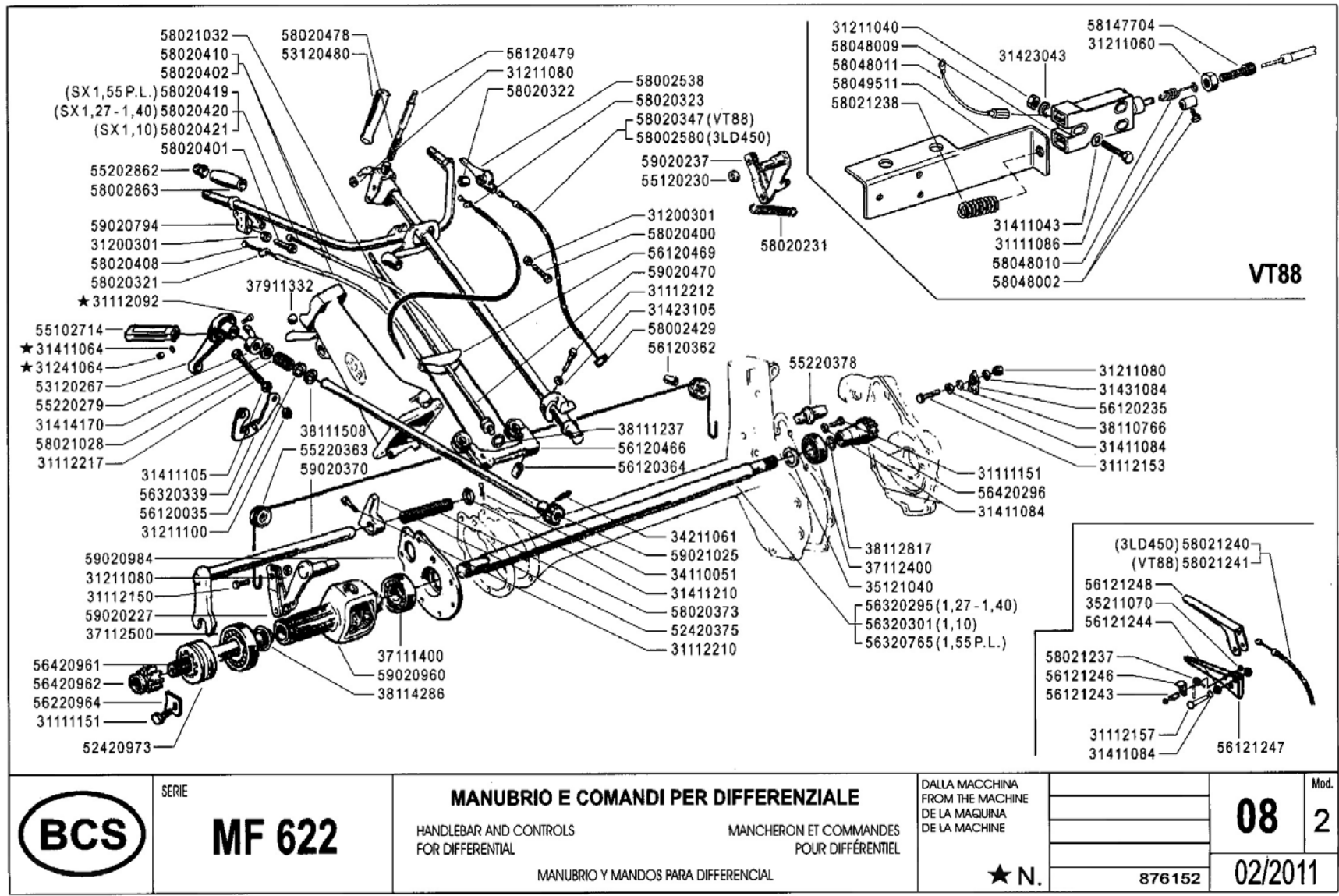


Pos.	Id	Q.ty	Description	Note
56320301	56320301		AXLE SHAFT	
56320339	56320339		SPRING	
56320765	56320765		AXLE SHAFT	
56420296	56420296		PINION	
56420961	56420961		AXLE SHAFT RH	
56420962	56420962		PINION	
58002538	58002538		ACCELERATOR	
58002580	58002580		LINE AND SHEATH (L=980)	
58002863	58002863		KNOB	
58020231	58020231		SPRING	
58020321	58020321		STUD BOLT	
58020322	58020322		RING	
58020323	58020323		STUD BOLT	
58020347	58020347		LINE AND SHEATH (L=770)	
58020373	58020373		SPRING	
58020400	58020400		ADJUSTING SCREW M10	
58020401	58020401		ADJUSTING SCREW M10	
58020402	58020402		SHEATH TERMINAL	
58020408	58020408		LH BRAKE CABLE L=1340	
58020410	58020410		DIFFER. BRAKES SHEATH L=850	
58020419	58020419		LH BRAKE CABLE L=2180 X 1,55M	
58020420	58020420		LH BRAK CABLE 1,27/1,40 L=2030	
58020421	58020421		LH BRAKE CABLE L=1840 X 1,10 M	
58020478	58020478		BUTTON SPRING	
58021028	58021028		SPEED CONTROL ROD SPRING	
58021032	58021032		CLUTCH SHEATH & LINE L=780	
58021237	58021237		SPRING	
58021238	58021238		SPRING	
58021240	58021240		LINE AND SHEATH (L=540)	



Pos.	Id	Q.ty	Description	Note
58021241	58021241		LINE AND SHEATH (L=840)	
58048002	58048002		CLAMPING SCREW	
58048009	58048009		ENGINE STOP SWITCH	
58048010	58048010		SPRING	
58048011	58048011		WIRING	
58147704	58147704		ADJUSTING SCREW	
59020227	59020227		LEVER	
59020237	59020237		LEVER	
59020332	59020332		HANDLE BAR COLUMN	
59020370	59020370		FORK	
59020470	59020470		COMPLETE TOWING LEVER	
59020794	59020794		COMPLETE HANDLE BAR	
59020960	59020960		DIFFERENTIAL GEAR	
59020984	59020984		FLANGE	
59021025	59021025		PULL ROD	
59049511	59049511		SWITCH SUPPORT	
59220461	59220461		LOCKING SHAFT	





	SERIE	MANUBRIO E COMANDI PER DIFFERENZIALE		DALLA MACCHINA FROM THE MACHINE DE LA MAQUINA DE LA MACHINE	08	Mod. 2
	MF 622	HANDLEBAR AND CONTROLS FOR DIFFERENTIAL	MANCHERON ET COMMANDES POUR DIFFÉRENTIEL			
		MANUBRIO Y MANDOS PARA DIFFERENCIAL				
				★ N.	876152	02/2011



Pos.	Id	Q.ty	Description	Note
31111086	31111086	1	SCREW TE M4X25 UNI 5739 8G	
31111151	31111151	1	SCREW TE M8X16 UNI 5739 8G	
31112092	31112092	1	SCREW TE M6X35 UNI 5739 8G	
31112150	31112150	1	SCREW TE M8X20 UNI 5739 8G	
31112157	31112157	1	SCREW TE M8X50 UNI 5739 8G	
31112210	31112210	1	SCREW TE M10X20 UNI 5739	
31112212	31112212	1	SCREW TE M10X35 UNI 5739	
31112217	31112217	1	SCREW TE M10X80 UNI 5737	
31200301	31200301	1	HEXAGON NUT M10 CH13	
31211040	31211040	1	NUT M4	
31211060	31211060	1	HEXAGONAL NUT M8	
31211080	31211080	1	NUT M8	
31211100	31211100	1	NUT M10	
31241064	31241064	1	LEAFLET	
31411043	31411043	1	WASHER 4,3X9	
31411064	31411064	1	WASHER 6,4x12,5	
31411084	31411084	1	WASHER 8,4x17	
31411105	31411105	1	WASHER 10,5x21 UNI 6592	
31411210	31411210	1	WASHER 21x37	
31414170	31414170	1	WASHER 17	
31423043	31423043	1	SPRING WASHER 4,3	
31423105	31423105	1	SPRING WASHER 10,5	
31431084	31431084	1	LOCK WASHER 8,4	
34110051	34110051	1	SPLIT PIN A5X40 UNI 1336	
34211061	34211061	1	ROLL PIN	
35121040	35121040	1	SEEGER RING E 40 DIN 471	
35211070	35211070	1	SEEGER RING E 7 DIN 471	
37111400	37111400	1	BEARING 6008 (40X68X15)	
37112400	37112400	1	BEARING 6208-2RS (40X80X18)	



Pos.	Id	Q.ty	Description	Note
37112500	37112500	1	BEARING 6010-2RS (50X80X16)	
37911332	37911332	1	BALL 13/32	
38110766	38110766	1	O-RING 2031 (7,66X1,78)	
38111237	38111237	1	O-RING 3043 (10,78X2,62)	
38111508	38111508	1	O-RING 119 (15,08x2,62)	
38112817	38112817	1	O-RING 4112 (28,17X3,53)	
38114286	38114286	1	O-RING 147 (42,82x3,53)	
52420375	52420375	1	TERMINAL	
52420973	52420973	1	SLEEVE	
53120267	53120267	1	KNOB	
53120480	53120480	1	KNOB	
55102714	55102714	1	FLAT KNOB	
55120230	55120230	1	SEAL RING	
55202862	55202862	1	RING NUT	
55220279	55220279	1	GEAR INDICATOR	
55220363	55220363	1	PULLEY BRAKE	
55220378	55220378	1	PLUG	
56120035	56120035	1	CUP	
56120235	56120235	1	SMALL PLATE	
56120362	56120362	1	PIN	
56120364	56120364	1	SLEEVE	
56120466	56120466	1	SUPPORT	
56120469	56120469	1	ROCKER	
56120479	56120479	1	PUSHBUTTON	
56120921	56120921	1	CLUTCH LEVER	
56121243	56121243	1	CABLE CLAMP	
56121244	56121244	1	SPACER	
56121246	56121246	1	LEVER STOP	
56121247	56121247	1	COMMAND LEVER	

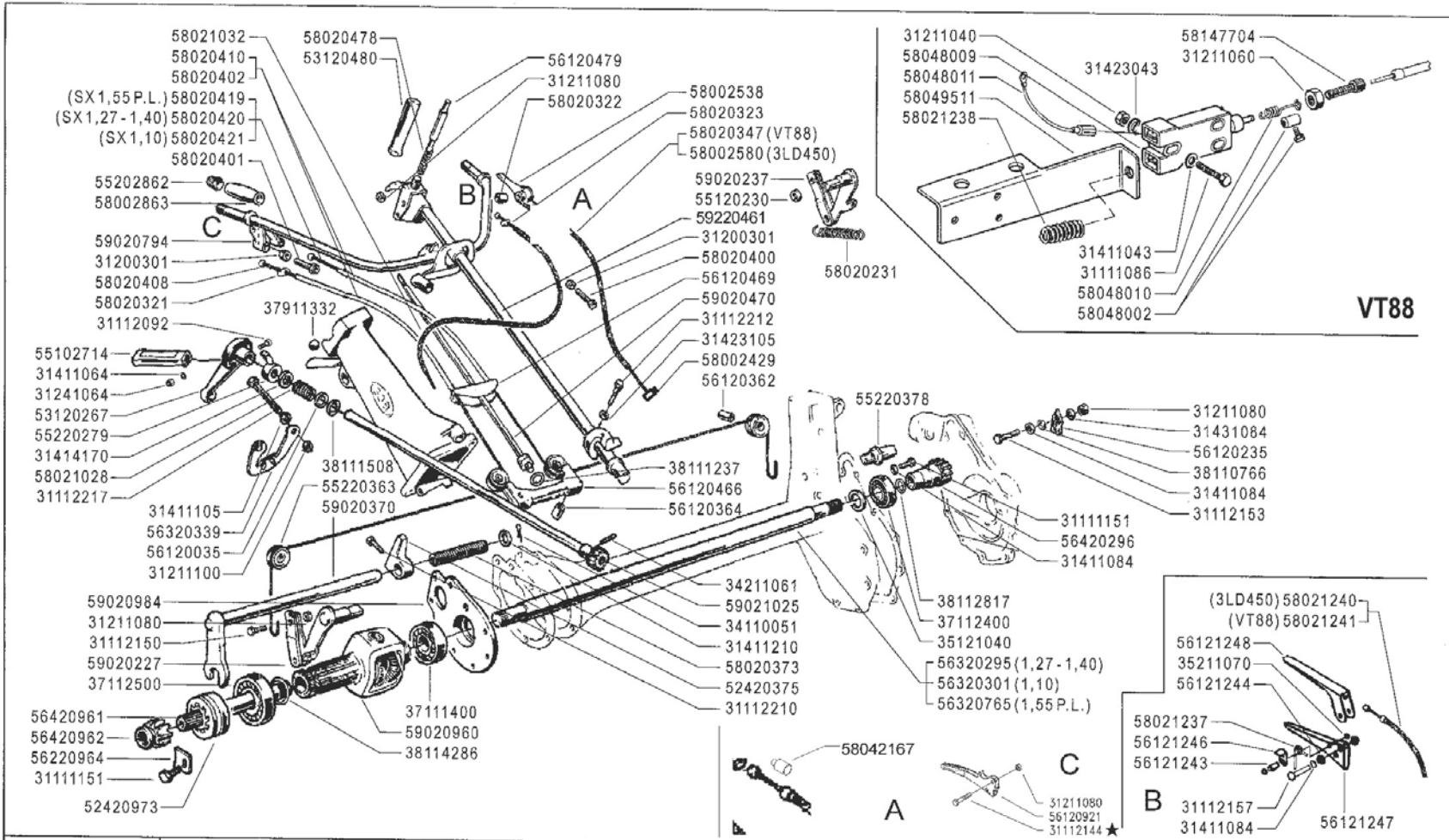


Pos.	Id	Q.ty	Description	Note
56121248	56121248	1	LEVER	
56220964	56220964	1	SMALL PLATE	
56320295	56320295	1	AXLE SHAFT	
56320301	56320301	1	AXLE SHAFT	
56320339	56320339	1	SPRING	
56320765	56320765	1	AXLE SHAFT	
56420296	56420296	1	PINION	
56420961	56420961	1	AXLE SHAFT RH	
56420962	56420962	1	PINION	
58002538	58002538	1	ACCELERATOR	
58002580	58002580	1	LINE AND SHEATH (L=980)	
58002863	58002863	1	KNOB	
58020231	58020231	1	SPRING	
58020321	58020321	1	STUD BOLT	
58020322	58020322	1	RING	
58020323	58020323	1	STUD BOLT	
58020347	58020347	1	LINE AND SHEATH (L=770)	
58020373	58020373	1	SPRING	
58020400	58020400	1	ADJUSTING SCREW M10	
58020401	58020401	1	ADJUSTING SCREW M10	
58020402	58020402	1	SHEATH TERMINAL	
58020408	58020408	1	LH BRAKE CABLE L=1340	
58020410	58020410	1	DIFFER. BRAKES SHEATH L=850	
58020419	58020419	1	LH BRAKE CABLE L=2180 X 1,55M	
58020420	58020420	1	LH BRAK CABLE 1,27/1,40 L=2030	
58020421	58020421	1	LH BRAKE CABLE L=1840 X 1,10 M	
58020478	58020478	1	BUTTON SPRING	
58021028	58021028	1	SPEED CONTROL ROD SPRING	
58021032	58021032	1	CLUTCH SHEATH & LINE L=780	



Pos.	Id	Q.ty	Description	Note
58021237	58021237	1	SPRING	
58021238	58021238	1	SPRING	
58021240	58021240	1	LINE AND SHEATH (L=540)	
58021241	58021241	1	LINE AND SHEATH (L=840)	
58048002	58048002	1	CLAMPING SCREW	
58048009	58048009	1	ENGINE STOP SWITCH	
58048010	58048010	1	SPRING	
58048011	58048011	1	WIRING	
58147704	58147704	1	ADJUSTING SCREW	
59020227	59020227	1	LEVER	
59020237	59020237	1	LEVER	
59020332	59020332	1	HANDLE BAR COLUMN	
59020370	59020370	1	FORK	
59020470	59020470	1	COMPLETE TOWING LEVER	
59020794	59020794	1	COMPLETE HANDLE BAR	
59020960	59020960	1	DIFFERENTIAL GEAR	
59020984	59020984	1	FLANGE	
59021025	59021025	1	PULL ROD	
59049511	59049511	1	SWITCH SUPPORT	
59220461	59220461	1	LOCKING SHAFT	





	SERIE MF 622	MANUBRIO E COMANDI PER DIFFERENZIALE HANDLEBAR AND CONTROLS FOR DIFFERENTIAL MANCHERON ET COMMANDES POUR DIFFÉRENTIEL MANUBRIO Y MANDOS PARA DIFFERENCIAL	DALLA MACCHINA FROM THE MACHINE DE LA MAQUINA DE LA MACHINE	Mod. 08 3
			★ N.	04/2013



Pos.	Id	Q.ty	Description	Note
31111086	31111086	1	SCREW TE M4X25 UNI 5739 8G	
31111151	31111151	1	SCREW TE M8X16 UNI 5739 8G	
31112092	31112092	1	SCREW TE M6X35 UNI 5739 8G	
31112144	31112144	1	VITE TE M8X28 UNI 5739 8G	
31112150	31112150	1	SCREW TE M8X20 UNI 5739 8G	
31112157	31112157	1	SCREW TE M8X50 UNI 5739 8G	
31112210	31112210	1	SCREW TE M10X20 UNI 5739	
31112212	31112212	1	SCREW TE M10X35 UNI 5739	
31112217	31112217	1	SCREW TE M10X80 UNI 5737	
31200301	31200301	1	HEXAGON NUT M10 CH13	
31211040	31211040	1	NUT M4	
31211060	31211060	1	HEXAGONAL NUT M8	
31211080	31211080	1	NUT M8	
31211100	31211100	1	NUT M10	
31241064	31241064	1	LEAFLET	
31411043	31411043	1	WASHER 4,3X9	
31411064	31411064	1	WASHER 6,4x12,5	
31411084	31411084	1	WASHER 8,4x17	
31411105	31411105	1	WASHER 10,5x21 UNI 6592	
31411210	31411210	1	WASHER 21x37	
31414170	31414170	1	WASHER 17	
31423043	31423043	1	SPRING WASHER 4,3	
31423105	31423105	1	SPRING WASHER 10,5	
31431084	31431084	1	LOCK WASHER 8,4	
34110051	34110051	1	SPLIT PIN A5X40 UNI 1336	
34211061	34211061	1	ROLL PIN	
35121040	35121040	1	SEEGER RING E 40 DIN 471	
35211070	35211070	1	SEEGER RING E 7 DIN 471	
37111400	37111400	1	BEARING 6008 (40X68X15)	



Pos.	Id	Q.ty	Description	Note
37112400	37112400	1	BEARING 6208-2RS (40X80X18)	
37112500	37112500	1	BEARING 6010-2RS (50X80X16)	
37911332	37911332	1	BALL 13/32	
38110766	38110766	1	O-RING 2031 (7,66X1,78)	
38111237	38111237	1	O-RING 3043 (10,78X2,62)	
38111508	38111508	1	O-RING 119 (15,08x2,62)	
38112817	38112817	1	O-RING 4112 (28,17X3,53)	
38114286	38114286	1	O-RING 147 (42,82x3,53)	
52420375	52420375	1	TERMINAL	
52420973	52420973	1	SLEEVE	
53120267	53120267	1	KNOB	
53120480	53120480	1	KNOB	
55102714	55102714	1	FLAT KNOB	
55120230	55120230	1	SEAL RING	
55202862	55202862	1	RING NUT	
55220279	55220279	1	GEAR INDICATOR	
55220363	55220363	1	PULLEY BRAKE	
55220378	55220378	1	PLUG	
56120035	56120035	1	CUP	
56120235	56120235	1	SMALL PLATE	
56120362	56120362	1	PIN	
56120364	56120364	1	SLEEVE	
56120466	56120466	1	SUPPORT	
56120469	56120469	1	ROCKER	
56120479	56120479	1	PUSHBUTTON	
56120921	56120921	1	CLUTCH LEVER	
56121243	56121243	1	CABLE CLAMP	
56121244	56121244	1	SPACER	
56121246	56121246	1	LEVER STOP	

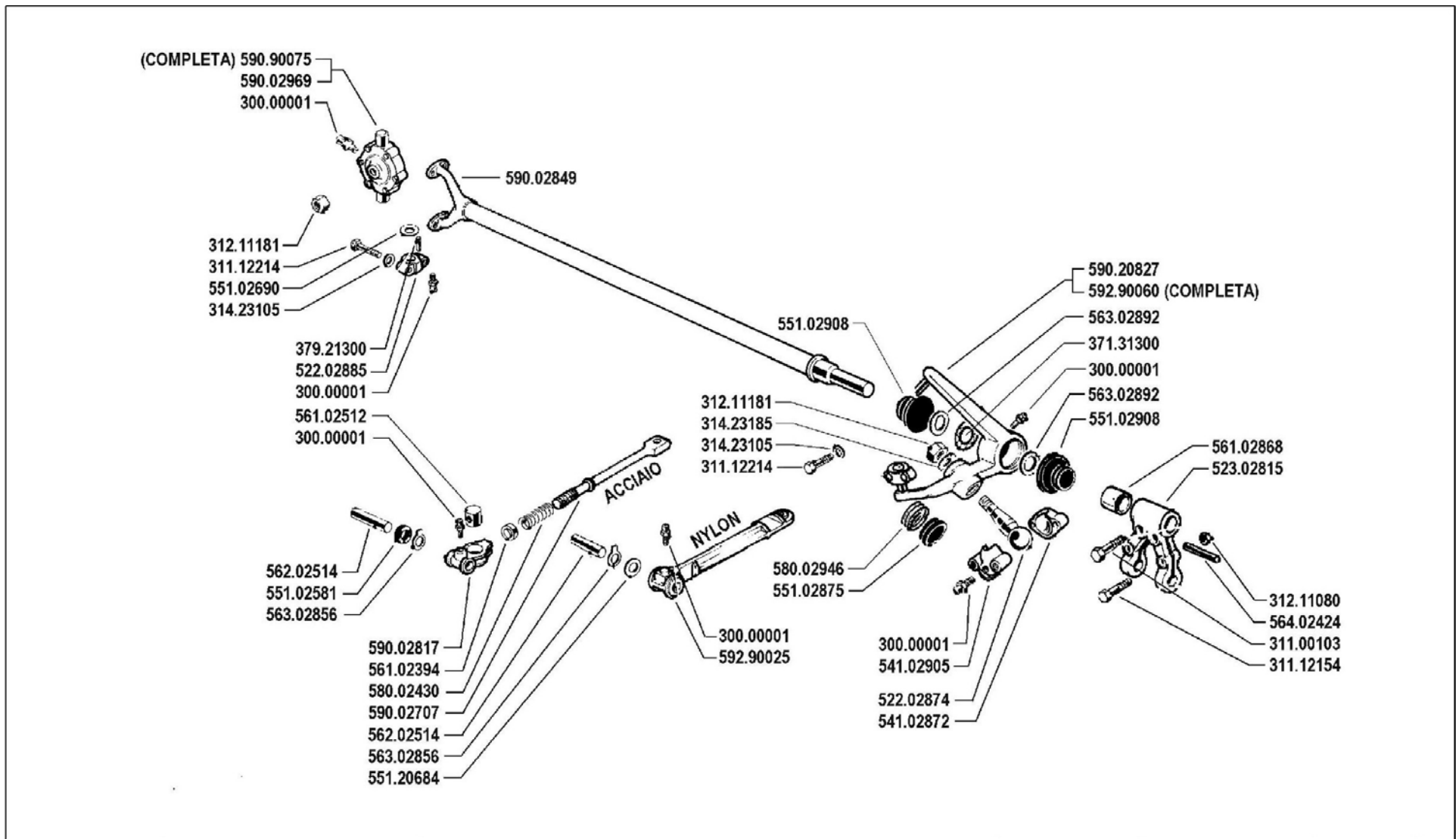


Pos.	Id	Q.ty	Description	Note
56121247	56121247	1	COMMAND LEVER	
56121248	56121248	1	LEVER	
56220964	56220964	1	SMALL PLATE	
56320295	56320295	1	AXLE SHAFT	
56320301	56320301	1	AXLE SHAFT	
56320339	56320339	1	SPRING	
56320765	56320765	1	AXLE SHAFT	
56420296	56420296	1	PINION	
56420961	56420961	1	AXLE SHAFT RH	
56420962	56420962	1	PINION	
58002538	58002538	1	ACCELERATOR	
58002580	58002580	1	LINE AND SHEATH (L=980)	
58002863	58002863	1	KNOB	
58020231	58020231	1	SPRING	
58020321	58020321	1	STUD BOLT	
58020322	58020322	1	RING	
58020323	58020323	1	STUD BOLT	
58020347	58020347	1	LINE AND SHEATH (L=770)	
58020373	58020373	1	SPRING	
58020400	58020400	1	ADJUSTING SCREW M10	
58020401	58020401	1	ADJUSTING SCREW M10	
58020402	58020402	1	SHEATH TERMINAL	
58020408	58020408	1	LH BRAKE CABLE L=1340	
58020410	58020410	1	DIFFER. BRAKES SHEATH L=850	
58020419	58020419	1	LH BRAKE CABLE L=2180 X 1,55M	
58020420	58020420	1	LH BRAK CABLE 1,27/1,40 L=2030	
58020421	58020421	1	LH BRAKE CABLE L=1840 X 1,10 M	
58020478	58020478	1	BUTTON SPRING	
58021028	58021028	1	SPEED CONTROL ROD SPRING	



Pos.	Id	Q.ty	Description	Note
58021032	58021032	1	CLUTCH SHEATH & LINE L=780	
58021237	58021237	1	SPRING	
58021238	58021238	1	SPRING	
58021240	58021240	1	LINE AND SHEATH (L=540)	
58021241	58021241	1	LINE AND SHEATH (L=840)	
58042167	58042167	1	SHEATH END	
58048002	58048002	1	CLAMPING SCREW	
58048009	58048009	1	ENGINE STOP SWITCH	
58048010	58048010	1	SPRING	
58048011	58048011	1	WIRING	
58147704	58147704	1	ADJUSTING SCREW	
59020227	59020227	1	LEVER	
59020237	59020237	1	LEVER	
59020332	59020332	1	HANDLE BAR COLUMN	
59020370	59020370	1	FORK	
59020470	59020470	1	COMPLETE TOWING LEVER	
59020794	59020794	1	COMPLETE HANDLE BAR	
59020960	59020960	1	DIFFERENTIAL GEAR	
59020984	59020984	1	FLANGE	
59021025	59021025	1	PULL ROD	
59049511	59049511	1	SWITCH SUPPORT	
59220461	59220461	1	LOCKING SHAFT	





	SERIE	ALBERO - SCATOLA OSCILLANTE		DALLA MACCHINA FROM THE MACHINE DE LA MAGUINA DE LA MACHINE	N.	09	Mcc. 1
	MF 622	SHAFT - OSCILLATING BOX	ARBRE - BOITE OSCILLANTE			6/2000	
		ARBOL - CAJA OSCILANTE					

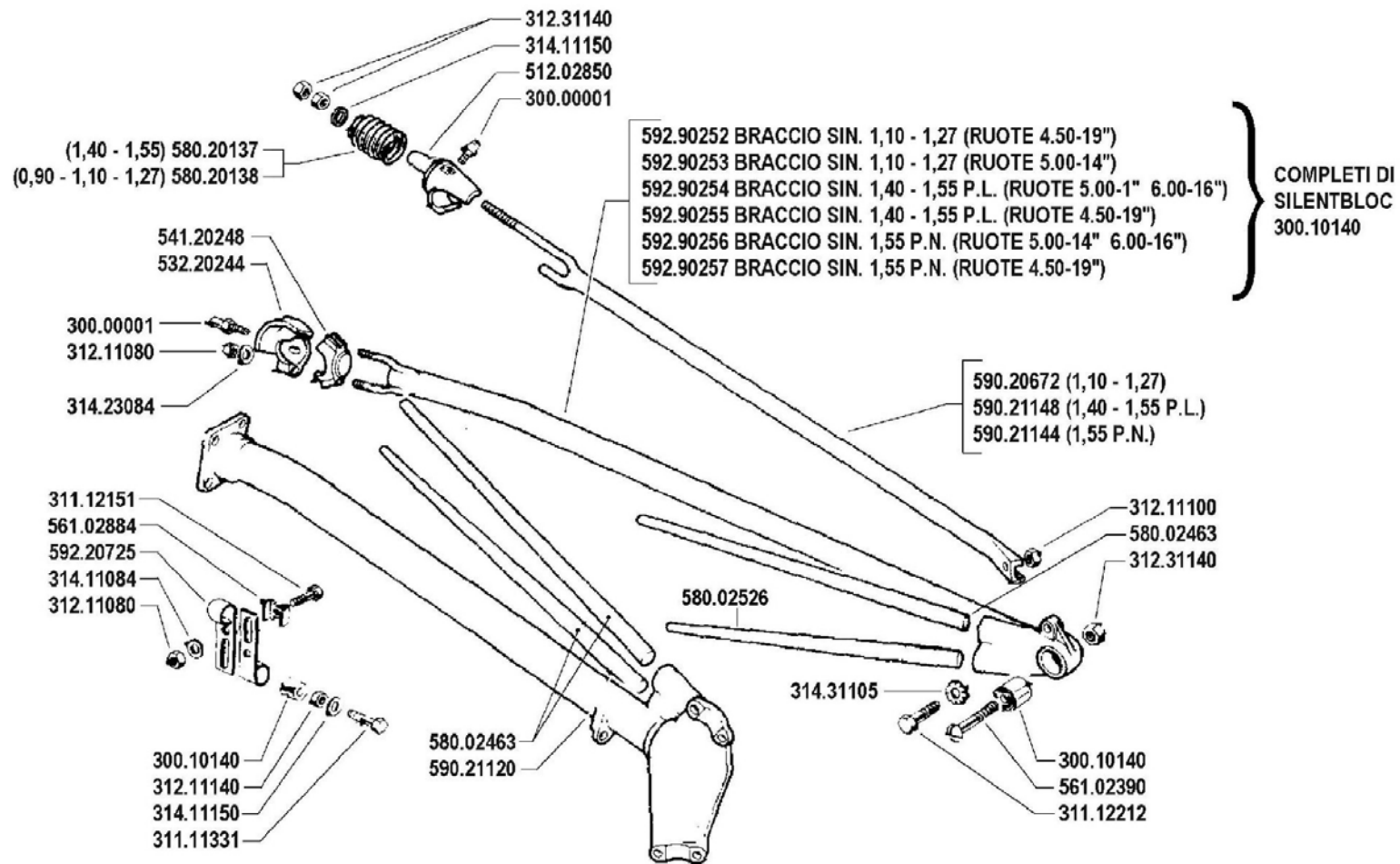


Pos.	Id	Q.ty	Description	Note
30000001	30000001		LUBRICATOR M10	
31100103	31100103		SCREW TE M12X1,5X35	
31112154	31112154		SCREW TE M8X40 UNI 5739 8G	
31112214	31112214		SCREW TE M10X45 UNI 5739	
31211080	31211080		NUT M8	
31211181	31211181		NUT M18X1,5	
31423105	31423105		SPRING WASHER 10,5	
31423185	31423185		SPRING WASHER 19	
37131300	37131300		BEARING 2206-OSC.(30X62X20)	
37921300	37921300		ROLLER	
52202874	52202874		BALL	
52202885	52202885		SMALL BLOCK	
52302815	52302815		CRANK	
54102872	54102872		HALF BEARING	
54102905	54102905		HALF BEARING	
55102581	55102581		RUBBER RING	
55102690	55102690		RUBBER RING	
55102875	55102875		CAP	
55102908	55102908		OIL SEAL	
55120684	55120684		SEAL RING	
56102394	56102394		RING	
56102512	56102512		SMALL BLOCK	
56102868	56102868		SPACER	
56202514	56202514		PIVOTING AXLE D 2 PISTON PIN	
56302856	56302856		LAMINATION	
56302892	56302892		WASHER	
56402424	56402424		PISTON PIN	
58002430	58002430		SPRING	
58002946	58002946		SPRING	



Pos.	Id	Q.ty	Description	Note
59002707	59002707		CONNECTING ROD	
59002817	59002817		COMPL. CONNECTING ROD HEAD	
59002849	59002849		SHAFT	
59002969	59002969		HEAD	
59020827	59020827		BOX	
59090075	59090075		HEAD	
59290025	59290025		CONNECTING ROD	
59290060	59290060		BOX	





SERIE

MF 622

ARMS

BRACCI

BRAZOS

BRAS

DALLA MACCHINA
FROM THE MACHINE
DE LA MAGUINA
DE LA MACHINE

N.

10

6/2000

Mcc.

1

GENIE

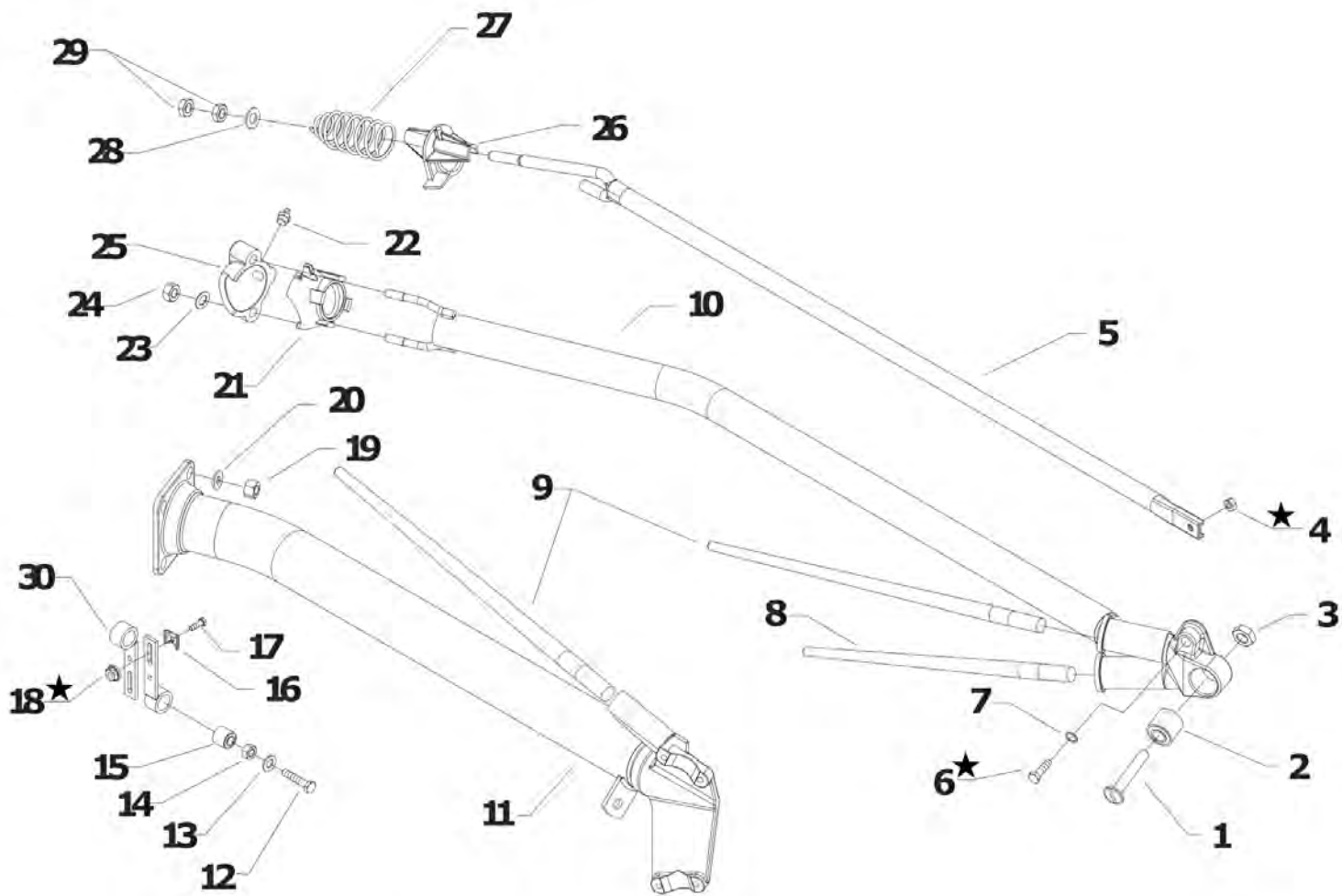


Pos.	Id	Q.ty	Description	Note
30000001	30000001		LUBRICATOR M10	
30010140	30010140		SILENT-BLOCK 14X30X25X28	
31111331	31111331		SCREW TE M14X50 UNI5739 8G	
31112151	31112151		SCREW TE M8X25 UNI 5739 8G	
31112212	31112212		SCREW TE M10X35 UNI 5739	
31211080	31211080		NUT M8	
31211100	31211100		NUT M10	
31211140	31211140		NUT M14	
31231140	31231140		NUT M14	
31411084	31411084		WASHER 8,4x17	
31411150	31411150		WASHER 15x28	
31423084	31423084		SPRING WASHER 8,4	
31431105	31431105		LOCK WASHER 10,5	
51202850	51202850		NYLON SPRING SUPPORT	
53220244	53220244		SHELL COVER	
54120248	54120248		CAP	
56102390	56102390		SPECIAL SCREW	
56102884	56102884		LAMINATION	
58002463	58002463		LONG STICK	
58002526	58002526		STICK	
58020137	58020137		LH TIE-ROD 1,40-1,55 SPRING	
58020138	58020138		SPRING 0,90-1,10-1,27	
59020672	59020672		COMPLETE LH ROD 0,90-1,10-1,27	
59021120	59021120		RH ARM COMPL.	
59021144	59021144		ROD	
59021148	59021148		ROD	
59220725	59220725		REGISTER	
59290252	59290252		LEFT ARM 1,1-1,27 R-19"	
59290253	59290253		LEFT ARM	



Pos.	Id	Q.ty	Description	Note
59290254	59290254		LEFT ARM	
59290255	59290255		LEFT ARM	
59290256	59290256		LEFT ARM	
59290257	59290257		LEFT ARM	





  [Click for info](#)

★ = new part

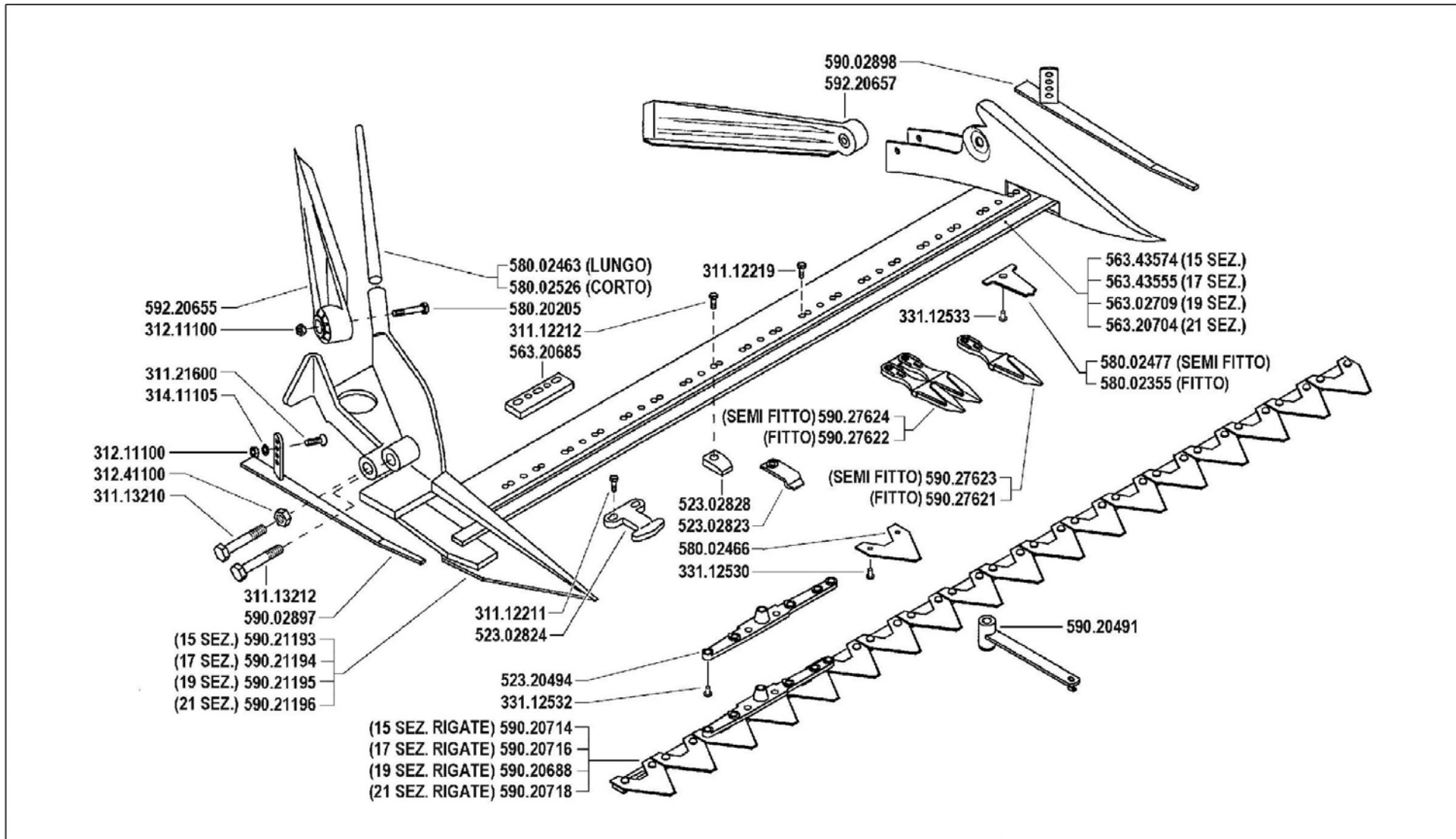


Pos.	Id	Q.ty	Description	Note
1	56102390		SPECIAL SCREW	
2	30010140		SILENT-BLOCK 14X30X25X28	
3	31231140		NUT M14	
4	31241105		SELFLOCK NUT M10	
5	59020672		COMPLETE LH ROD 0,90-1,10-1,27	1,10m - 1,27m
5	59021144		ROD	1,55m
5	59021148		ROD	1,40m - 1,55
6	31112213		SCREW TE M10X40 UNI 5739	
7	31431105		LOCK WASHER 10,5	
8	58002526		STICK	
9	58002463		LONG STICK	
10	59290252		LEFT ARM 1,1-1,27 R-19"	
10	59290253		LEFT ARM	
10	59290254		LEFT ARM	
10	59290255		LEFT ARM	
10	59290256		LEFT ARM	
10	59290257		LEFT ARM	
11	59021120		RH ARM COMPL.	
12	31111331		SCREW TE M14X50 UNI5739 8G	
13	31411150		WASHER 15x28	
14	31211140		NUT M14	
15	30010140		SILENT-BLOCK 14X30X25X28	
16	56102884		LAMINATION	
17	31112151		SCREW TE M8X25 UNI 5739 8G	
18	31241084		SELFLOCK NUT M8 6S	
19	31221160		NUT M16	
20	31421354		CUP SPRING 31,5X16,3X2 DIN 2093	
21	54120248		CAP	
22	30000001		LUBRICATOR M10	



Pos.	Id	Q.ty	Description	Note
23	31423084		SPRING WASHER 8,4	
24	31211080		NUT M8	
25	53220244		SHELL COVER	
26	51202850		NYLON SPRING SUPPORT	
27	58020137		LH TIE-ROD 1,40-1,55 SPRING	
27	58020138		SPRING 0,90-1,10-1,27	
28	31411150		WASHER 15x28	
29	31231140		NUT M14	
30	59220725		REGISTER	





	SERIE	BARRA STANDARD		DALLA MACCHINA FROM THE MACHINE DE LA MAQUINA DE LA MACHINE	N.	11	1	6/2000	Mcc.
	MF 622	STANDARD CUTTING MECHANISM	BARRE STANDARD						
		BARRA STANDARD							

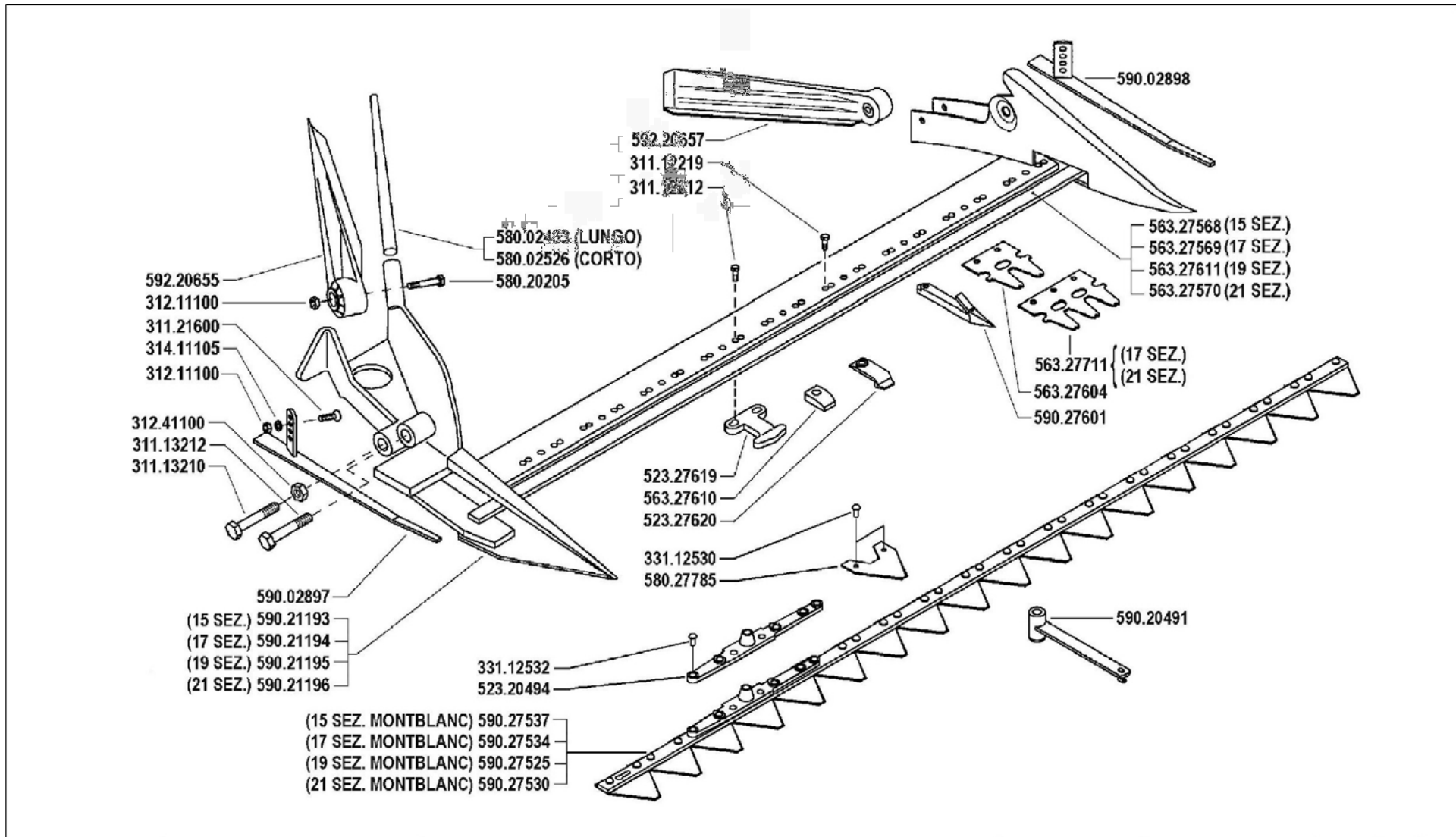


Pos.	Id	Q.ty	Description	Note
31112211	31112211		SCREW TE M10X30 UNI 5739	
31112212	31112212		SCREW TE M10X35 UNI 5739	
31112219	31112219		SCREW TE M10X25 UNI 5739	
31113210	31113210		SCREW TE M10X80 UNI 5737	
31113212	31113212		SCREW TE M10X90 UNI 5737	
31121600	31121600		SCREW TTQ M10X25 UNI5731	
31211100	31211100		NUT M10	
31241100	31241100		SELFLOCK HEXAGON NUT M10	
31411105	31411105		WASHER 10,5x21 UNI 6592	
33112530	33112530		RIVET TSV 5,3X14	
33112532	33112532		RIVET TSV 5,3X20	
33112533	33112533		RIVET TSV 5,3X25	
52302823	52302823		BLANK HOLDER	
52302824	52302824		BLANK HOLDER	
52302828	52302828		BLANK HOLDER	
52320494	52320494		KNIFEHEAD D 5,6	
56302709	56302709		BLADE GUIDE 19	
56320685	56320685		BLANK HOLDER	
56320704	56320704		BLADE GUIDE 21	
56343555	56343555		BLADE GUIDE 17 SECTIONS	
56343574	56343574		BLADE GUIDE 15	
58002355	58002355		LOW CUT FINGER PLATE	
58002463	58002463		LONG STICK	
58002466	58002466		BLADE SECTION	
58002477	58002477		MIDDLE CUT FINGER PLATE	
58002526	58002526		STICK	
58020205	58020205		SPECIAL SCREW	
59002897	59002897		SLIDE	
59002898	59002898		SLIDE	



Pos.	Id	Q.ty	Description	Note
59020491	59020491		KEY	
59020688	59020688		1,40 - 19 SECT. COMPLETE BLADE	
59020714	59020714		15 SECT. COMPLETE BLADE 1,10M	
59020716	59020716		1,27 - 17 SECT. COMPLETE BLADE	
59020718	59020718		1,55 - 21 SECT. COMPLETE BLADE	
59021193	59021193		BAR	
59021194	59021194		COMPLETE 17 SECTIONS-BAR	
59021195	59021195		BAR	
59021196	59021196		BAR COMPL. 21 SECTIONS	
59027621	59027621		SIMPLE TOOTH	
59027622	59027622		DOUBLE FINGER	
59027623	59027623		SEMIMESHED TOOTH	
59027624	59027624		SEMIMESHED TOOTH	
59220655	59220655		RH COMPLETE WINDROWINGBOARD	
59220657	59220657		LH COMPLETE WINDROWINGBOARD	





SERIE

MF 622

BARRA DENTI S.F. SPECIALI 'MONTBLANC'

CUTTING MECHANISM 'MONTBLANC'

BARRE 'MONTBLANC'

BARRA 'MONTBLANC'

DALLA MACCHINA
FROM THE MACHINE
DE LA MAQUINA
DE LA MACHINE

N.

11 A 0

6/2000

Mcc.

GENIE

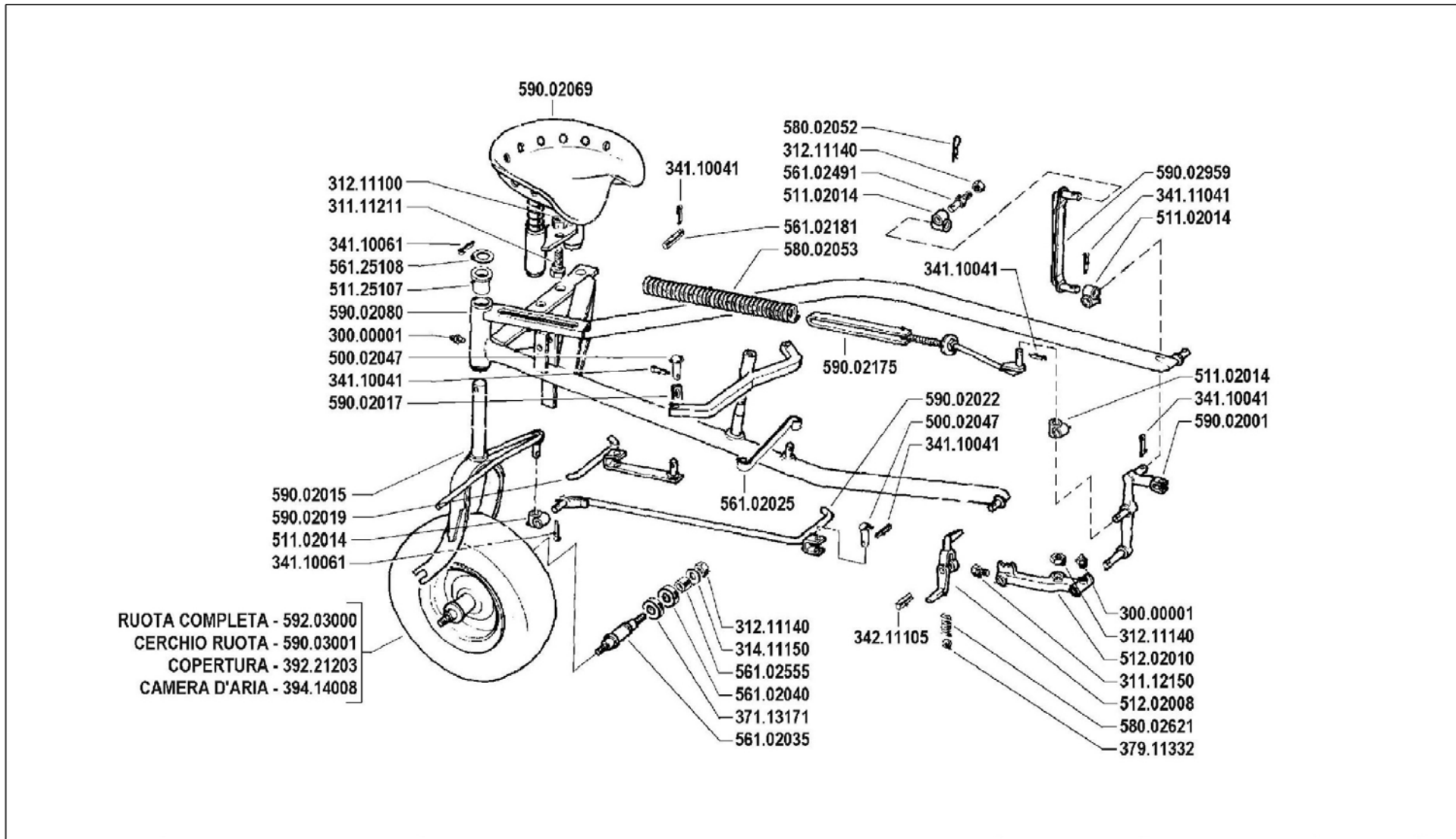


Pos.	Id	Q.ty	Description	Note
31112212	31112212		SCREW TE M10X35 UNI 5739	
31112219	31112219		SCREW TE M10X25 UNI 5739	
31113210	31113210		SCREW TE M10X80 UNI 5737	
31113212	31113212		SCREW TE M10X90 UNI 5737	
31121600	31121600		SCREW TTQ M10X25 UNI5731	
31211100	31211100		NUT M10	
31241100	31241100		SELFLOCK HEXAGON NUT M10	
31411105	31411105		WASHER 10,5x21 UNI 6592	
33112530	33112530		RIVET TSV 5,3X14	
33112532	33112532		RIVET TSV 5,3X20	
52320494	52320494		KNIFEHEAD D 5,6	
52327619	52327619		BLANK HOLDER	
52327620	52327620		BLANK HOLDER	
56320685	56320685		BLANK HOLDER	
56327568	56327568		BLADE GUIDE 15	
56327569	56327569		BLADE GUIDE 17 SECTIONS	
56327570	56327570		BLADE GUIDE 21	
56327604	56327604		PLATE	
56327610	56327610		BLANK HOLDER	
56327611	56327611		BLADE GUIDE 19	
56327711	56327711		SMALL PLATE	
58002463	58002463		LONG STICK	
58002526	58002526		STICK	
58020205	58020205		SPECIAL SCREW	
58027785	58027785		BLADE SECTION	
59002897	59002897		SLIDE	
59002898	59002898		SLIDE	
59020491	59020491		KEY	
59021193	59021193		BAR	



Pos.	Id	Q.ty	Description	Note
59021194	59021194		COMPLETE 17 SECTIONS-BAR	
59021195	59021195		BAR	
59021196	59021196		BAR COMPL. 21 SECTIONS	
59027525	59027525		COMPLETE BLADE	
59027530	59027530		COMPLETE BLADE	
59027534	59027534		COMPLETE BLADE	
59027537	59027537		COMPLETE BLADE	
59027601	59027601		TOOTH	
59220655	59220655		RH COMPLETE WINDROWINGBOARD	
59220657	59220657		LH COMPLETE WINDROWINGBOARD	





SERIE
MF 622

CARRELLO DA LAVORO
DRIVER SEAT FOR WORK
CHARIOT DE TRAVAIL
CARRO DE TRABAJO

DALLA MACCHINA
FROM THE MACHINE
DE LA MAGUINA
DE LA MACHINE

N.

	Mcc.
12	1
6/2000	

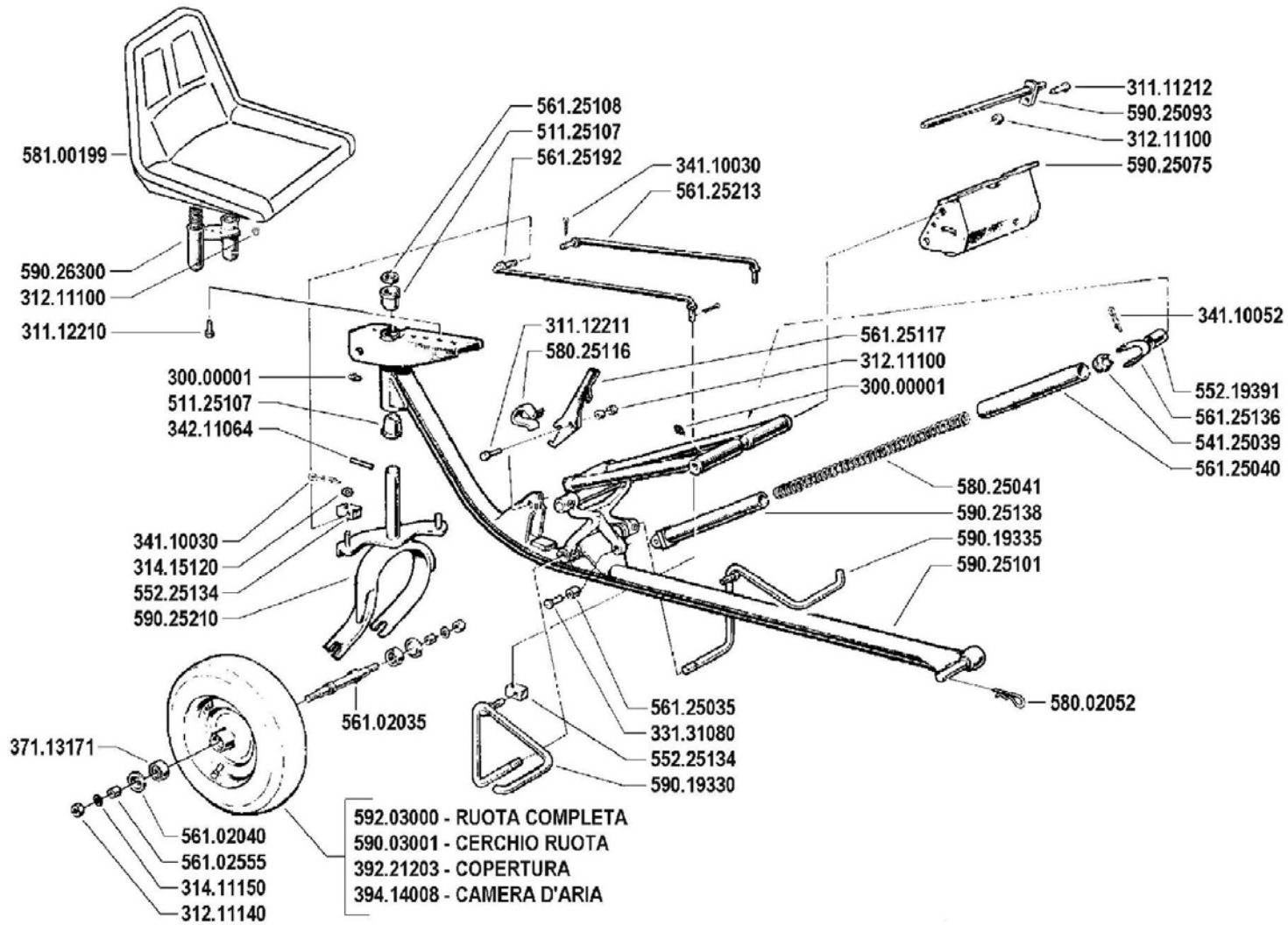


Pos.	Id	Q.ty	Description	Note
30000001	30000001		LUBRICATOR M10	
31112150	31112150		SCREW TE M8X20 UNI 5739 8G	
31211100	31211100		NUT M10	
31211140	31211140		NUT M14	
31411150	31411150		WASHER 15x28	
34110041	34110041		SPLIT PIN A4X25 UNI 1336	
34110061	34110061		SPLIT PIN A6X50 UNI 1336	
34211105	34211105		ROLL PIN	
37113171	37113171		BEARING 6203-Z (17X40X12)	
37911332	37911332		BALL 13/32	
39221203	39221203		TYRE 4.00-8 4PR	
39414008	39414008		INNER TUBE X 4.00-8	
50002047	50002047		RIVET 10X45	
51102014	51102014		JOINT	
51125107	51125107		SLEEVE	
51202008	51202008		FORK	
51202010	51202010		CROSS MEMBER	
56102025	56102025		ROD	
56102035	56102035		AXLE	
56102040	56102040		CUP	
56102181	56102181		PIN	
56102491	56102491		PIN	
56102555	56102555		SPACER	
56125108	56125108		WASHER 31,0x42/3	
58002052	58002052		PIN	
58002053	58002053		SPRING	
58002621	58002621		SPRING	
59002001	59002001		LEVER	
59002015	59002015		COMPLETE FORK	



Pos.	Id	Q.ty	Description	Note
59002017	59002017		LEVER	
59002019	59002019		PEDAL	
59002022	59002022		PEDAL	
59002069	59002069		SEAT	
59002080	59002080		CHASSIS FRAME	
59002175	59002175		TOP LINK	
59002959	59002959		ROD	
59003001	59003001		WHEEL	
59203000	59203000		WHEEL	





SERIE

MF 622

CARRELLO MONOTUBO

DRIVER SEAT PIPE

CHARIOT MONOTUBE

CARRO MONOTUBO

DALLA MACCHINA
 FROM THE MACHINE
 DE LA MAGUINA
 DE LA MACHINE

N.

13

Mcc.
1

6/2000

GENE

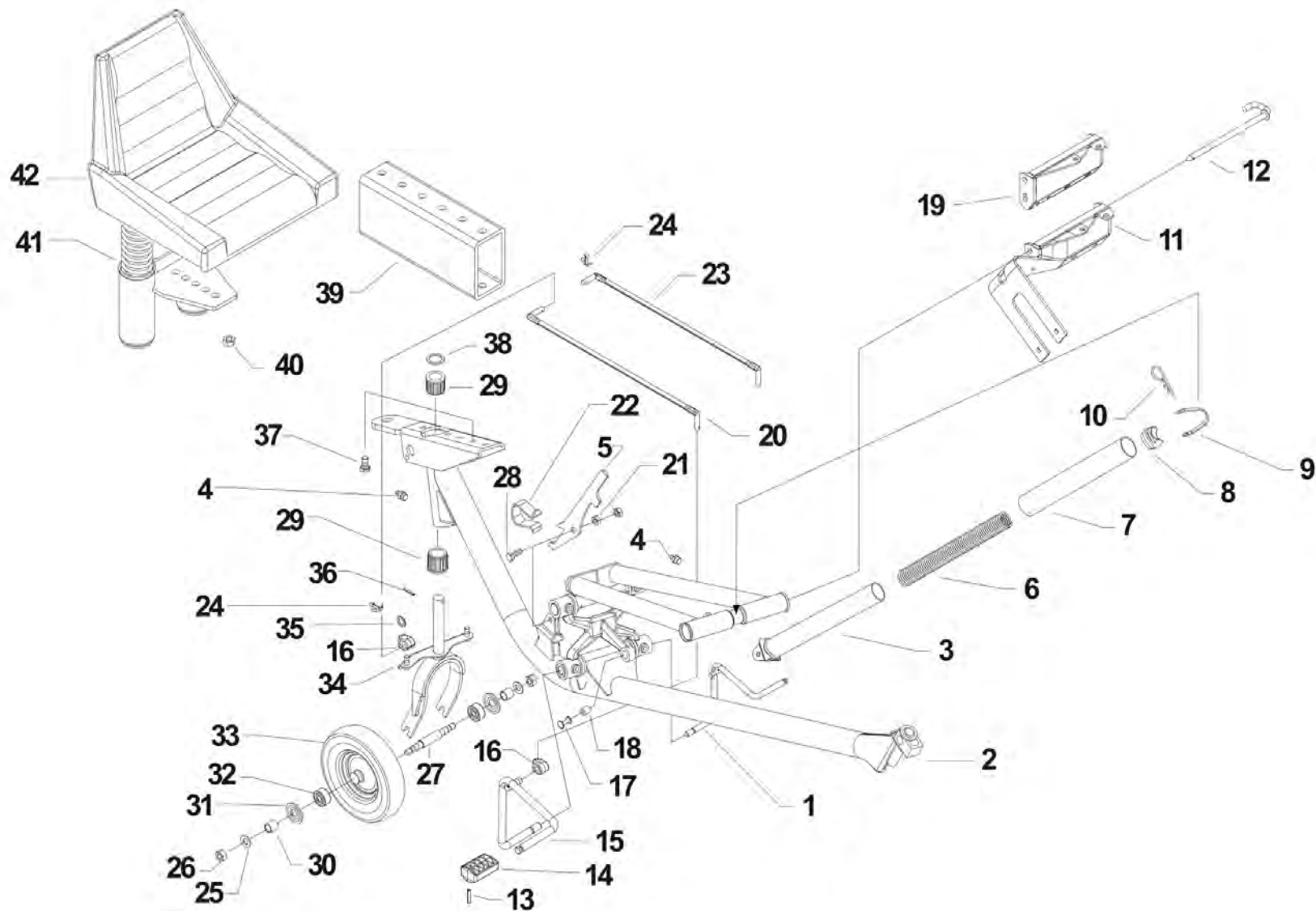


Pos.	Id	Q.ty	Description	Note
30000001	30000001		LUBRICATOR M10	
31111212	31111212		SCREW TE M10X25 UNI 5739 5S	
31112210	31112210		SCREW TE M10X20 UNI 5739	
31112211	31112211		SCREW TE M10X30 UNI 5739	
31211100	31211100		NUT M10	
31211140	31211140		NUT M14	
31411150	31411150		WASHER 15x28	
31415120	31415120		WASHER 12	
33131080	33131080		RIVET 8X30 UNI 136	
34110030	34110030		SPLIT PIN A3X20 UNI 1336	
34110052	34110052		SPLIT PIN A5X56 UNI 1336	
34211064	34211064		ROLL PIN 6X40 DIN 1481	
37113171	37113171		BEARING 6203-Z (17X40X12)	
39221203	39221203		TYRE 4.00-8 4PR	
39414008	39414008		INNER TUBE X 4.00-8	
51125107	51125107		SLEEVE	
54125039	54125039		TIP	
55219391	55219391		BUSH	
55225134	55225134		JOINT	
56102035	56102035		AXLE	
56102040	56102040		CUP	
56102555	56102555		SPACER	
56125035	56125035		BUSH	
56125040	56125040		PIPE	
56125108	56125108		WASHER 31,0x42/3	
56125117	56125117		LEVER	
56125136	56125136		CLAMP	
56125192	56125192		ROD	
56125213	56125213		ROD	



Pos.	Id	Q.ty	Description	Note
58002052	58002052		PIN	
58025041	58025041		SPRING	
58025116	58025116		SPRING	
58100199	58100199		SEAT	
59003001	59003001		WHEEL	
59019330	59019330		PEDAL	
59019335	59019335		PEDAL	
59025075	59025075		CONNECTION	
59025093	59025093		PIN	
59025101	59025101		CHASSIS FRAME	
59025138	59025138		GUIDE	
59025210	59025210		COMPLETE FORK	
59026300	59026300		SEAT SUPPORT COMPL.	
59203000	59203000		WHEEL	



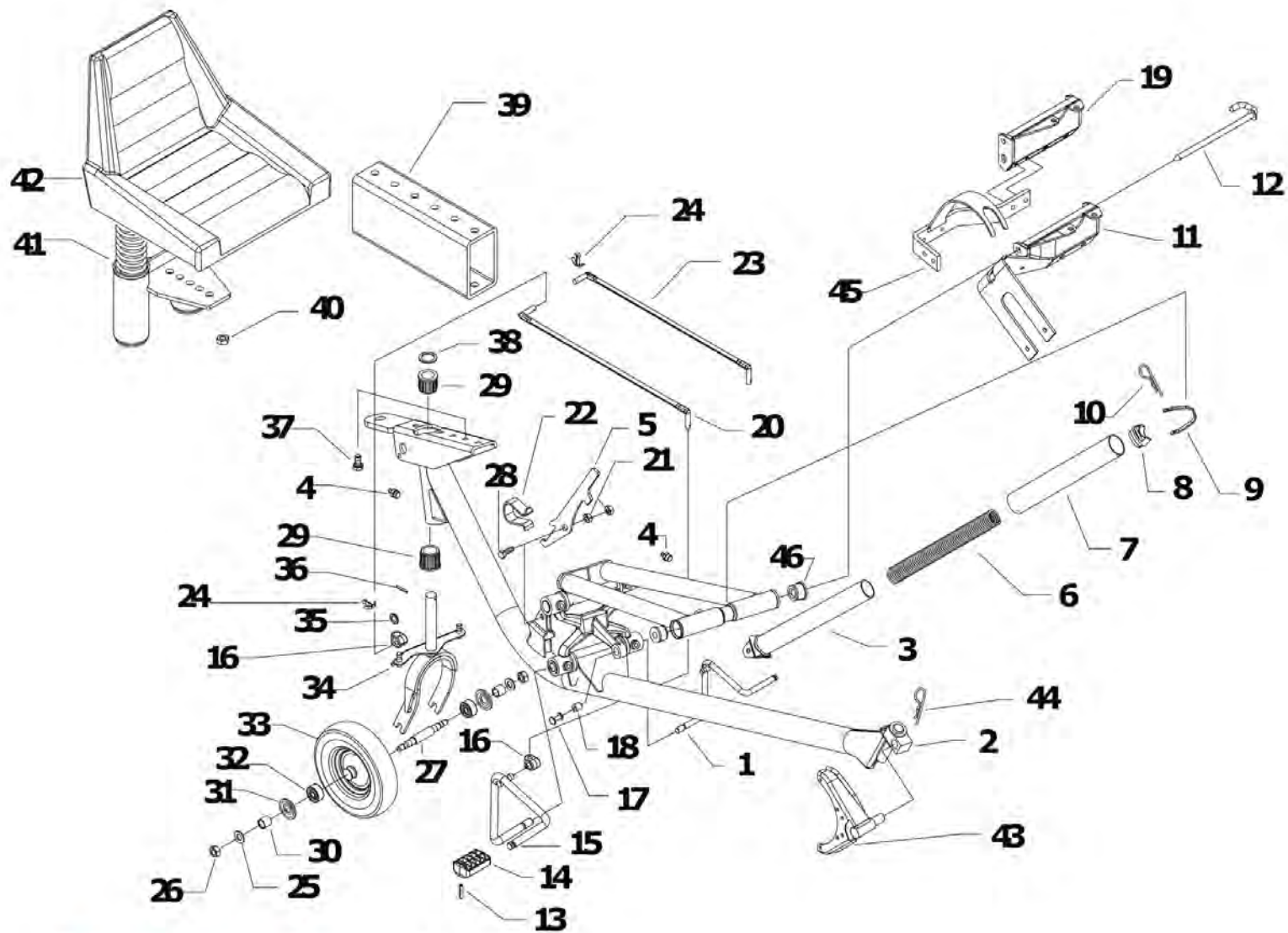


Pos.	Id	Q.ty	Description	Note
1	59019335	1	PEDAL	
1	59019336	1	PEDALE SINISTRO CORTO C.TO	INDIA
2	59025101	1	CHASSIS FRAME	
3	59025138	1	GUIDE	
4	30000001	1	LUBRICATOR M10	
5	56125117	1	LEVER	
6	58025041	1	SPRING	
7	56125040	1	PIPE	
8	54125039	1	TIP	
9	56125136	1	CLAMP	
10	34110052	1	SPLIT PIN A5X56 UNI 1336	
11	59041788H	1	CONNECTION	
12	59025093	1	PIN	
13	34212040	1	ROLL PIN	INDIA
14	55219338	1	PEDAL	INDIA
15	59019329	1	PEDALE DESTRO CORTO C.TO	INDIA
15	59019330	1	PEDAL	
16	55225134	1	JOINT	
17	33131080	1	RIVET 8X30 UNI 136	
18	56125035	1	BUSH	
19	59025090	1	CONNECTION	
20	56125192	1	ROD	
21	31211100	1	NUT M10	
22	58025116	1	SPRING	
23	56125213	1	ROD	
24	34110030	1	SPLIT PIN A3X20 UNI 1336	
25	31411150	1	WASHER 15x28	
26	31211140	1	NUT M14	
27	56102035	1	AXLE	



Pos.	Id	Q.ty	Description	Note
28	31112211	1	SCREW TE M10X30 UNI 5739	
29	51125107	1	SLEEVE	
30	56102555	1	SPACER	
31	56102040	1	CUP	
32	37113171	1	BEARING 6203-Z (17X40X12)	
33	39221203	1	TYRE 4.00-8 4PR	
33	39414008	1	INNER TUBE X 4.00-8	
33	59003001	1	WHEEL	
33	59203000	1	WHEEL	
34	59025210	1	COMPLETE FORK	
35	31415120	1	WASHER 12	
36	34211064	1	ROLL PIN 6X40 DIN 1481	
37	31112210	1	SCREW TE M10X20 UNI 5739	
38	56125108	1	WASHER 31,0x42/3	
39	56119349	1	RIALZO SEDILE	INDIA
40	31112170	1	SCREW TE C/F M8X20 DIN 6921	
41	59026300	1	SEAT SUPPORT COMPL.	
42	58100199	1	SEAT	





 [Click for info](#)

★ = new part

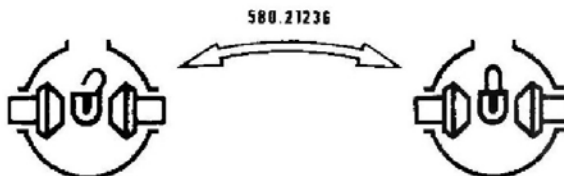


Pos.	Id	Q.ty	Description	Note
1	59019335		PEDAL	
1	59019336		PEDALE SINISTRO CORTO C.TO	INDIA
2	59025101		CHASSIS FRAME	
3	59025138		GUIDE	
4	30000001		LUBRICATOR M10	
5	56125117		LEVER	
6	58025041		SPRING	
7	56125040		PIPE	
8	54125039		TIP	
9	56125136		CLAMP	
10	34110052		SPLIT PIN A5X56 UNI 1336	
11	59041788H		CONNECTION	
12	59025093		PIN	
13	34212040		ROLL PIN	INDIA
14	55219338		PEDAL	INDIA
15	59019329		PEDALE DESTRO CORTO C.TO	INDIA
15	59019330		PEDAL	
16	55225134		JOINT	
17	33131080		RIVET 8X30 UNI 136	
18	56125035		BUSH	
19	59025090		CONNECTION	
20	56125192		ROD	
21	31211100		NUT M10	
22	58025116		SPRING	
23	56125213		ROD	
24	34110030		SPLIT PIN A3X20 UNI 1336	
25	31411150		WASHER 15x28	
26	31211140		NUT M14	
27	56102035		AXLE	




Pos.	Id	Q.ty	Description	Note
28	31112211		SCREW TE M10X30 UNI 5739	
29	51125107		SLEEVE	
30	56102555		SPACER	
31	56102040		CUP	
32	37113171		BEARING 6203-Z (17X40X12)	
33	39221203		TYRE 4.00-8 4PR	
33	39414008		INNER TUBE X 4.00-8	
33	59003001		WHEEL	
33	59203000		WHEEL	
34	59025210		COMPLETE FORK	
35	31415120		WASHER 12	
36	34211064		ROLL PIN 6X40 DIN 1481	
37	31112210		SCREW TE M10X20 UNI 5739	
38	56125108		WASHER 31,0x42/3	
39	56119349		RIALZO SEDILE	INDIA
40	31112170		SCREW TE C/F M8X20 DIN 6921	
41	59026300		SEAT SUPPORT COMPL.	
42	58100199		SEAT	
43	59026700		CONNECTION	
44	58002052		PIN	
45	59041144B		GUARD	
46	56125023		BUSHING	






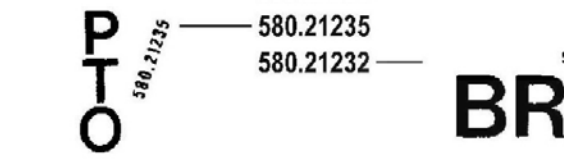
580.21236



580.21239



580.21233



580.21235


**P
T
O**

580.21232

PARKING BRAKE


580.21232

BRAKE




580.46902

**FRIZIONE
EMBRAYAGE
EMBRAGUE**



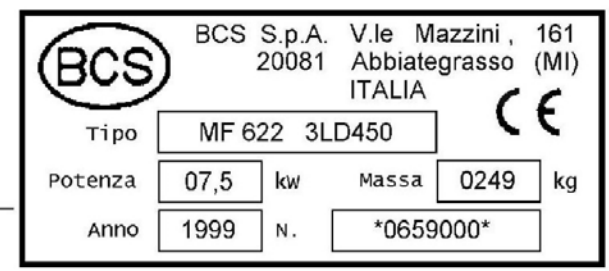
580.48325



580.28130


580.46924

TENERE LONTANO MANI E PIEDI.
TENIR LOIN LES MAINS ET LES PIEDS.
MANTENER PIES Y MANOS ALEJADOS.



580.46963

BCS	BCS S.p.A. V.le Mazzini, 161 20081 Abbiategrasso (MI) ITALIA			CE
	Tipo	MF 622 3LD450		
Potenza	07,5	kw	Massa	0249 kg
Anno	1999	N.	*0659000*	



SERIE

MF 622

ADESIVI

STICKERS

AUTOCOLLANTS

ADHESIVOS

DALLA MACCHINA
FROM THE MACHINE
DE LA MAQUINA
DE LA MACHINE

N.

Mcc.

14

0

6/2000



Pos.	Id	Q.ty	Description	Note
58021232	58021232		DECAL	
58021233	58021233		DECAL	
58021235	58021235		DECAL	
58021236	58021236		DECAL	
58021239	58021239		DECAL	
58028130	58028130		DECAL	
58046902	58046902		DECAL	
58046903	58046903		DECAL	
58046924	58046924		DECAL	
58046963	58046963		DECAL	
58048325	58048325		DECAL	

