

cm 85/100 (32 - 38")

341.10028
561.42110

561.49720

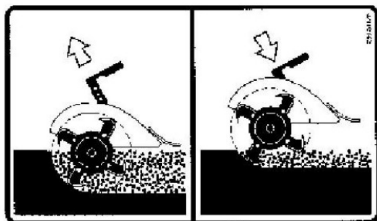
590.49728



580.46922

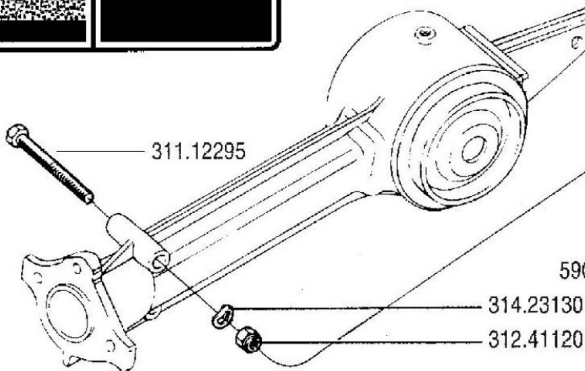


580.57724



580.51126

314.11104
551.42109
590.49724
314.10131



311.12295

590.49725

314.23130

312.41120

311.12210

314.11105

590.49722

314.23105

312.11100

311.12210

314.11105

561.49720

314.23105

312.11100



ATTREZZI ED ACCESSORI
IMPLEMENTS AND ACCESSORIES
OUTILS ET ACCESSOIRES
APAROS Y ACCESORIOS
ARBEITSGERÄTE UND ZUBEHÖR

600/700 serie 94

COFANO FRESA (746)

ROTARY HOE HOOD
CAPO FRESADORA

COFFRE FRAISE
FRÄSERABDECKHAUBE

DALL'ATREZZO
DESSE E. APERO
DE L'OUTIL
FROM IMPLMENT
AB ARBEITSGERÄT

N.

09 A 00

9/1999

Mod.

2/ENNE



Pos.	Id	Q.ty	Description	Note
31112210	31112210		SCREW TE M10X20 UNI 5739	
31112295	31112295		SCREW TE M12X90 UNI 5737	
31211100	31211100		NUT M10	
31241120	31241120		SELFLOCK NUT M12	
31410131	31410131		WASHER 13,5x27/1	
31411104	31411104		WASHER 10,5x18	
31411105	31411105		WASHER 10,5x21 UNI 6592	
31423105	31423105		SPRING WASHER 10,5	
31423130	31423130		SPRING WASHER EL 13 DIN 137-B	
34110028	34110028		SPLIT PIN A3X15 UNI 1336	
55142109	55142109		BUSHING	
56142110	56142110		PIN	
56149720	56149720		TILTING INDICATOR	
58046922	58046922		DECAL	
58051126	58051126		DECAL	
58057724	58057724		DECAL	
59049722	59049722		TILTING INDICATOR	
59049724	59049724		COMPLETE HOOD	
59049725	59049725		LEFT SIDE PANEL	
59049728	59049728		RIGHT SIDE PANEL	

