

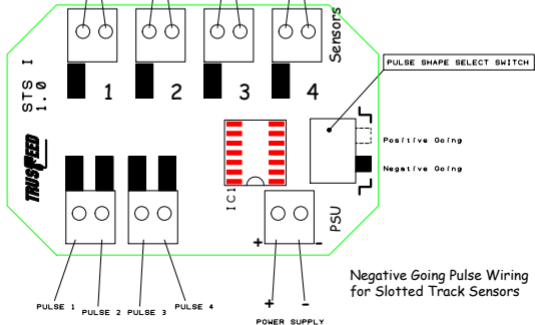
Set LED current to  
18 - 20 mA

Examples: R1-R4

5V 470 ohms  
12V 1K ohm

POWER SUPPLY

Photo Transistor Sensors  
(TOP VIEW)



Negative Going Pulse Wiring  
for Slotted Track Sensors