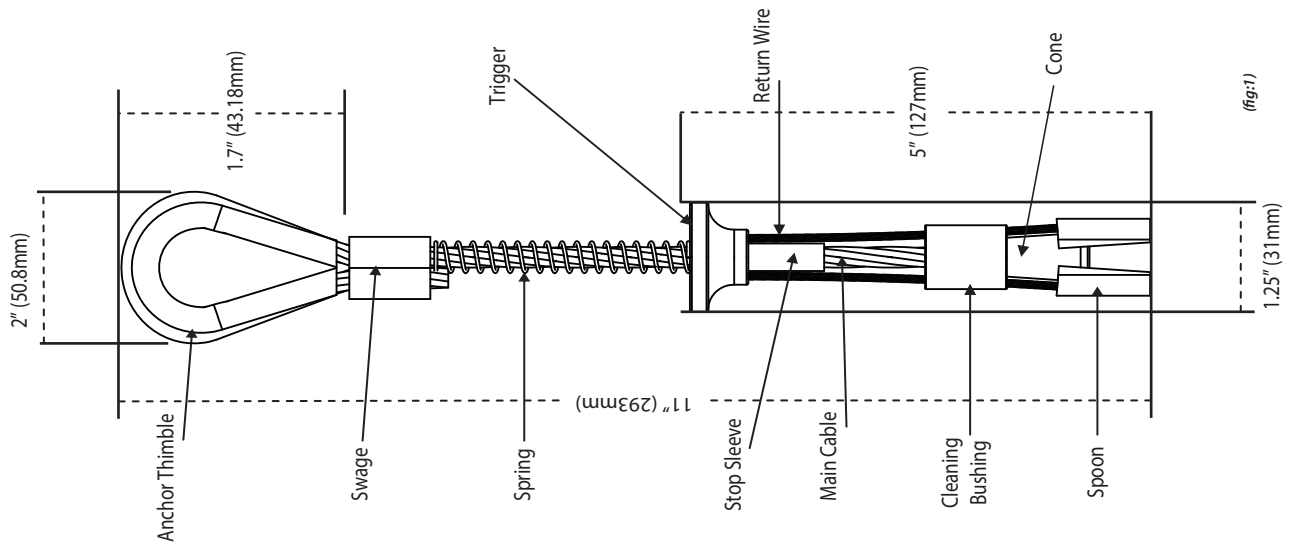


RAM075N Multi-Use Anchor

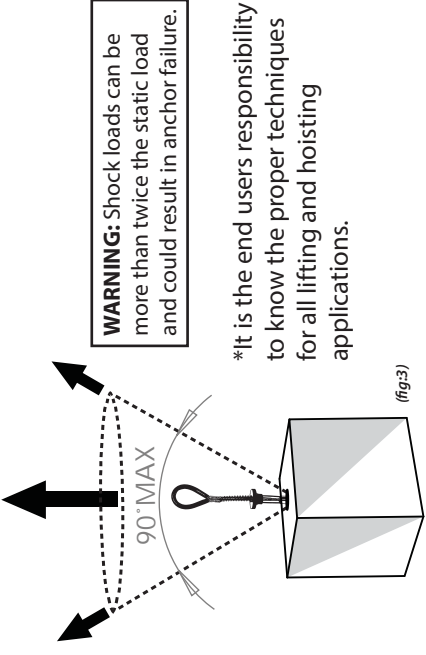
Performance:
 Static tensile strength: 5000-lbf (22kN) minimum.
 Working Load Limit: 1000-lbs

Dimensions:
 Weight: 0.4-lbs (18kg)
 Length: 11.5" (293mm)
 Diameter: .075" (20mm)

Component Materials:
 Main Cable: Aircraft Cable. End Termination: Stainless Steel. Spoons: Stainless Steel.
 Stop Sleeve: Stainless Steel. Trigger: Aluminum. Spring: Zinc Plated Steel. Swage: Zinc Plated Copper. Return Wire: Aircraft Cable. Anchor Thimble: Zinc Plated Steel



LOADING DIAGRAM



*It is the end users responsibility to know the proper techniques for all lifting and hoisting applications.

LIFTING REQUIREMENTS

This product has a safe working load of 1000-lbs. It is the end users responsibility to know the weight of the object being lifted or supported. You must also know how to stabilize your object with the correct locations of your anchor points as well as using multiple anchors with an object.

- 1,000-lbs safe working load.
- 5,000-lbf maximum breaking strength.
- Do not use in uncured concrete.
- Always inspect your anchor prior to use.
- Always dispose of the anchor if damaged.
- Use multiple units to stabilize object if needed.
- Never stand under an object being lifted.

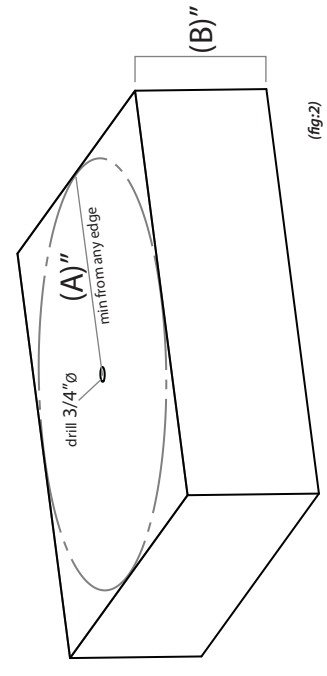
DRILLING INSTRUCTIONS:

1. Drill a 3/4" (19mm) diameter hole at least 3.5" (89mm) deep. The drilled hole must be straight and perpendicular to the surface. Make sure the hole is of uniform diameter and free of peaks and valleys on the inner wall. (see fig:2)
2. Clean any debris from hole.
3. Always inspect the hole carefully when reusing a previously drilled hole.

INSTALLATION INSTRUCTIONS:

1. When placing anchor, place your thumb inside the anchor loop and your first two fingers around the trigger. Squeeze fingers and thumb together till the trigger and spring fully compress. (see fig:4)
2. Set the unit with a slight tug on the anchor loop.
3. The cleaning bushing must always be partially inserted into the hole. (see fig:1)

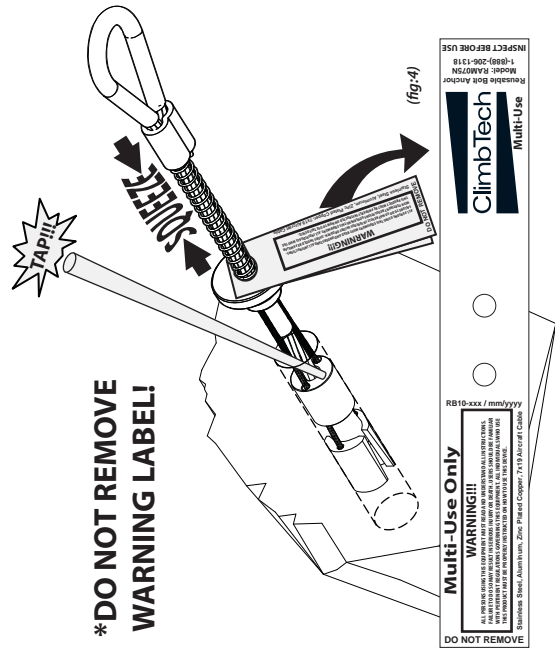
HOLE DRILLING REQUIREMENT CHART	
(A)" Minimum distance from edge/corner	(B)" Concrete thickness
6" in. (15.3 cm)	12" in. (30.5 cm)
12" in. (30.5 cm)	5" in. (12.7 cm)



REMOVAL INSTRUCTIONS:

1. When removing anchor, place your thumb inside the anchor loop and your first two fingers around the trigger. Squeeze fingers and thumb together until the trigger and spring fully compress.
2. While squeezing the trigger pull the anchor out of the hole.
3. If the anchor becomes stuck, insert a punch, screw driver or other object into the hole until it touches the top of the cleaning bushing. (see fig:4)
4. Lightly tap with a hammer making sure the tool is touching the top of the cleaning bushing. The cleaning bushing should be easily visible at the edge of the hole. Repeat steps 1 and 2.
5. If tool was required to remove the anchor inspect thoroughly for damage after removal. If damage is found remove from service and destroy immediately.

***DO NOT REMOVE WARNING LABEL!**



Read This Instruction Manual Carefully

Before Using This Equipment.



User Instructions must always be available to the user and are not to be removed except by the user of this equipment. For proper use, see supervisor, User Instructions, or contact the manufacturer.

Users and purchasers of this equipment must read and understand the User Instructions provided for correct use and care of this product. All users of this equipment must understand the instructions, operation, limitations and consequences of improper use of this equipment and be properly trained prior to use. **Misuse or failure to follow warnings and instructions may result in serious personal injury or death.**

Purpose

The RAM075N is an anchorage connector designed to function as a lift point or other nonlife dependant applications. Any references to "anchorage connector" in this manual include, and apply to, the RAM075N.

Use Requirements

1. Use of this product must be approved by an Engineer or other qualified person to be compatible with any and all structural & operational characteristics of the selected installation location and system to be connected to this anchor. **Improper use may result in serious personal injury or death.**
2. The anchorage connector must be inspected prior to each use for wear, damage, and other deterioration. If defective components are found the anchor connector must be immediately removed from service

Use Limitations

1. The anchorage connector is designed to be used in temperatures ranging from -40°F to +130°F (-40°C to +54°C).
2. Do not expose the anchorage connector to chemicals or harsh solutions which may have a harmful effect.
3. Do not alter or modify this product in anyway.
4. Do not use/install equipment without proper training by a "competent person"
5. Do not remove the labeling from this product.
6. Additional requirements and limitations may apply depending on anchorage type and fastening option utilized for installation. All placements must be approved by an engineer or other qualified person.

***Improper use may result in serious personal injury or death.**

MAINTENANCE, CLEANING AND STORAGE

Cleaning periodically will prolong the life and proper functioning of the product. The frequency of cleaning should be determined by inspection and by severity of the environment. Clean with compressed air and/or a stiff brush using plain water or a mild soap and water solution. Do not use any corrosive chemicals that could damage the product. Wipe all surfaces with a clean dry cloth and hang to dry, or use compressed air. When not in use, store anchorage connectors in a cool, dry, clean environment, out of direct sunlight and free of corrosive or other degrading elements.

ClimbTech

5000-lbf (22kN) Removable Bolt

(Multi-Use Only) Model: RAM075N



V1.5

Product Warranty, Limited Remedy and Limitation of Liability

WARRANTY: THE FOLLOWING IS MADE IN LIEU OF ALL WARRANTIES OR CONDITIONS, EXPRESS OR IMPLIED, INCLUDING THE IMPLIED WARRANTIES OR CONDITIONS OF MERCHANTABILITY OR FITNESS FOR A PARTICULAR PURPOSE.

Equipment offered by Climbtch, is warranted against factory defects in workmanship and materials for a period of one year from date of purchase.

LIMITED REMEDY: Upon notice in writing, Climbtch will repair or replace all defective items at Climbtch's sole discretion. Climbtch reserves the right to require that the defective item be returned to its plant for inspection before determining the appropriate course action. Warranty does not cover equipment damage resulting from wear, abuse, damage in transit, failure to maintain the product or other damage beyond the control of Climbtch. Climbtch shall be the sole judge of product condition and warranty options. This warranty applies only to original purchaser and is the only warranty applicable to this product. Please contact Climbtch technical service department for assistance.

LIMITATION OF LIABILITY: IN NO EVENT WILL CLIMBTECH BE LIABLE FOR ANY INDIRECT, INCIDENTAL, SPECIAL OR CONSEQUENTIAL DAMAGES INCLUDING, BUT NOT LIMITED TO LOSS OF PROFITS, IN ANY WAY RELATED TO THE PRODUCTS REGARDLESS OF THE LEGAL THEORY ASSERTED.

ClimbTech

ClimbTech, LLC.

7303 Burlleson Rd. Suite 901 Austin, TX 78744
1(512)308-6440 / www.climbtechgear.com



IMPORTANT!!!

ALL PERSONS USING THIS EQUIPMENT MUST READ AND UNDERSTAND ALL INSTRUCTIONS. FAILURE TO DO SO MAY RESULT IN SERIOUS INJURY OR DEATH. USERS SHOULD BE FAMILIAR WITH PERTINENT REGULATIONS GOVERNING THIS EQUIPMENT. ALL INDIVIDUALS WHO USE THIS PRODUCT MUST BE PROPERLY INSTRUCTED ON HOW TO USE THIS DEVICE.