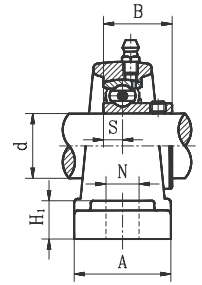
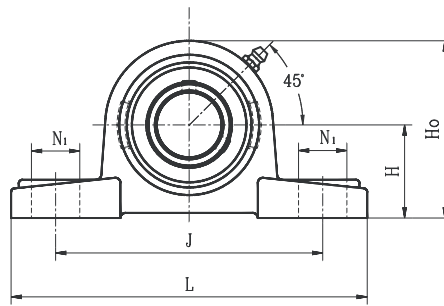


# PILLOW BLOCKS

## SBP LIGHT DUTY SET SCREW TYPE



- Cast iron housing - solid base.
- Narrow inner ring bearing

Unit No.	Shaft Dia. d		Dimension (in) (mm)										Bolt Size (in)	Bearing No.	Housing No.	Weight (lb)	
	(in.)	(mm)	H	L	J	A	N	N <sub>1</sub>	H <sub>1</sub>	H <sub>o</sub>	S	B					
SBP201G		12															
201-8G	1/2	15	1-3/16	4-15/16	3-5/8	1-1/4	15/32	5/8	1/2	2-1/4	1/4	7/8	3/8	SB201G 201-8G 202G 202-10G 203G 203-11G	P203S	1.38	
202G	5/8	17	30.2	125	92	32	12	16	13	57.0	6	22.0					
202-10G																	
203G	11/16																
SBP204-12G	3/4	20	1-5/16	5	3-25/32	1-15/32	1/2	5/8	9/16	2-1/2	9/32	1	3/8	SB204-12G 204G	P204	1.38	
204G			33.3	127	96	37	13	16	14	63.8	7	25.0					
SBP205-14G	7/8	25	1-7/16	5-1/2	4-1/8	1-1/2	1/2	3/4	19/32	2-3/4	9/32	1-1/16	3/8	SB205-14G 205-15G 205G 205-16G	P205	1.82	
205-15G	15/16		36.5	140	105	38	13	19	15	69.5	7.5	27.0					
205G																	
205-16G	1																
SBP206-18G	1-1/8	30	1-11/16	6-5/16	4-3/4	1-3/4	9/16	3/4	5/8	3-1/4	5/16	1-3/16	1/2	SB206-18G 206G 206-19G 206-20G	P206	2.95	
206G	1-3/16		42.9	160	121	44	14	19	16	82.0	8	30.0					
206-19G																	
206-20G	1-1/4																
SBP207-20G	1-1/4	35	1-7/8	6-19/32	4-31/32	1-29/32	19/32	3/4	11/16	3-5/8	11/32	1-9/32	1/2	SB207-20G 207-21G 207-22G 207G 207-23G	P207	3.45	
207-21G	1-5/16		47.6	167	126	48	15	19	17	92.0	8.5	32.0					
207-22G	1-3/8																
207G																	
207-23G	1-7/16																
SBP208-24G	1-1/2	40	1-15/16	7-3/32	5-3/8	2-1/16	19/32	13/16	23/32	3-7/8	3/8	1-11/32	1/2	SB208-24G 208-25G 208G	P208	4.48	
208-25G	1-9/16		49.2	180	136	52	15	21	18	98.0	9	34.0					
208G																	
SBP209-26G	1-5/8	45	2-1/8	7-7/16	5-3/4	2-1/8	19/32	27/32	25/32	4-1/8	13/32	5/8	1/2	SB209-26G 209-27G 209-28G 209G	P209	4.77	
209-27G	1-11/16		54.0	189	146	54	15	21	20	105.5	10.2	41.2					
209-28G	1-3/4																
209G																	
SBP210-30G	1-7/8	50	2-1/4	8-1/32	6-1/4	2-1/4	3/4	7/8	13/16	4-13/32	13/32	1-23/32	5/8	SB210-30G 210-31G 210G	P210	5.41	
210-31G	1-15/16		57.2	204	159	57	19	22	21	112.2	10.9	43.5					
210G																	
SBP211-32G	2	55	2-1/2	8-17/32	6-25/32	2-3/8	3/4	7/8	7/8	4-29/32	15/32	1-25/32	5/8	SB211-32G 211-34G 211G 211-35G	P211	7.12	
211-34G	2-1/8		63.5	217	172	60	19	22	22	124.5	11.8	45.3					
211G																	
211-35G	2-3/16																
SBP212-36G	2-1/4	60	2-3/4	9-3/8	7-5/16	2-19/32	3/4	31/32	15/16	5-13/32	19/32	2-1/8	5/8	SB212-36G 212G 212-38G 212-39G	P212	11.57	
212G			69.9	238	186	66	19	25	24	137.0	14.9	53.7					
212-38G	2-3/8																
212-39G	2-7/16																

\* Full cover metal shroud seal standard. Full contact rubber seal (2RS suffix) optional.  
Non-relubricatable units also available (remove G suffix). Contact factory.

