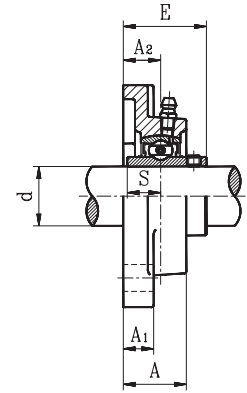
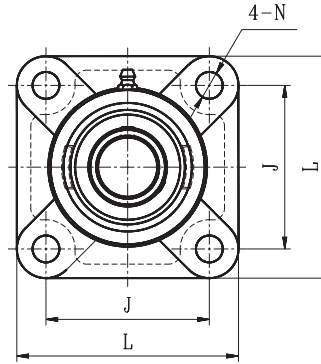


FOUR BOLT FLANGE UNITS

UCFX MEDIUM DUTY SET SCREW LOCKING TYPE



- Cast iron housing
- Wide inner ring bearing

Unit No.	Shaft Dia. d		Dimension (in) (mm)							Bolt Size (in)	Bearing No.	Housing No.	Weight (lb)	
	(in.)	(mm)	L	J	A2	A1	A	E	N					S
UCFX05-16	1		3-9/32	3-1/4	23/32	17/32	1-3/16	1-19/32	15/32	21/32	3/8	UCX05-16	F206	2.645
UCFX05-25MM		25	108	82.5	18	13	30	40.2	11.5	15.9		UCX05-25MM		
UCFX06-18	1-1/8										1/2	UCX06-18	F207	3.527
UCFX06-19	1-3/16		4-5/8	3-5/8	3/4	9/16	1-11/32	1-3/4	17/32	23/32		UCX06-19		
UCFX06-20	1-1/4		117	92	19	14	34	44.4	13	17.5		UC207-20		
UCFX06-30MM		30										UCX06-30MM		
UCFX07-20	1-1/4										1/2	UCX07-20	F208	4.409
UCFX07-22	1-3/8		5-1/8	4	27/32	9/16	1-1/2	2-1/32	17/32	3/4		UCX07-22		
UCFX07-23	1-7/16		130	101.5	21	14	38	51.2	13	19		UCX07-23		
UCFX07-35MM		35										UCX07-35MM		
UCFX08-24	1-1/2		5-13/32	4-5/32	7/8	9/16	1-19/32	2-1/16	19/32	3/4	9/16	UCX08-24	F209	5.291
UCFX08-40MM		40	137	105	22	14	40	52.2	15	19		UCX08-40MM		
UCFX09-26	1-5/8										9/16	UCX09-26	F210	5.900
UCFX09-27	1-11/16		5-21/32	4-3/8	29/32	9/16	1-19/32	2-7/32	19/32	3/4		UCX09-27		
UCFX09-28	1-3/4		143	111	23	14	40	55.6	15	19		UCX09-28		
UCFX09-45MM		45										UCX09-45MM		
UCFX10-30	1-7/8										5/8	UCX10-30	F211	8.157
UCFX10-31	1-15/16		6-7/8	5-5/8	1-1/32	13/16	1-3/4	2-11/32	11/16	7/8		UCX10-31		
UCFX10-32	2		175	143	26	20	44	59.4	17	22.2		UC211-32		
UCFX10-50MM		50										UCX10-50MM		
UCFX11-34	2-1/8										5/8	UCX11-34	F212	10.81
UCFX11-35	2-3/16		6-7/8	5-5/8	1-1/32	13/16	1-3/4	2-11/32	11/16	7/8		UCX11-35		
UCFX11-36	2-1/4		175	143	26	20	44	59.4	17	22.2		UC212-36		
UCFX11-55MM		55										UCX11-55MM		
UCFX12-38	2-3/8										5/8	UCX12-38	F213	12.566
UCFX12-39	2-7/16		7-13/32	5-7/8	1-11/32	27/32	2-1/4	2-29/32	11/16	1		UCX12-39		
UCFX12-60MM		60	187	149	34	21	57	73.7	17	25.4		UCX12-60MM		
UCFX13-40	2-1/2		7-13/32	5-7/8	1-11/32	27/32	2-11/32	3-3/32	11/16	1-7/32	5/8	UCX13-40	FX13	13.889
UCFX13-65MM		65	187	149	34	21	59	78.4	17	30.2		UCX13-65MM		
UCFX14-43	2-11/16										23/32	UCX14-43	FX14	15.432
UCFX14-44	2-3/4		7-25/32	6	1-15/32	31/32	2-3/8	3-7/32	13/16	1-5/16		UCX14-44		
UCFX14-70MM		70	197	152	37	24	60	81.5	20	33.3		UCX14-70MM		
UCFX15-47	2-15/16										23/32	UCX15-47	FX15	17.83
UCFX15-48	3		7-25/32	6	1-19/32	31/32	2-11/16	3-17/32	13/16	1-5/16		UCX15-48		
UCFX15-75MM		75	197	152	40	24	68	89.3	20	33.3		UCX15-75MM		

* Dual seal standard. Triple lip seal (R3 suffix) optional.

