

UCFX 4-Bolt Flange Units



Medium duty with set screw lock.

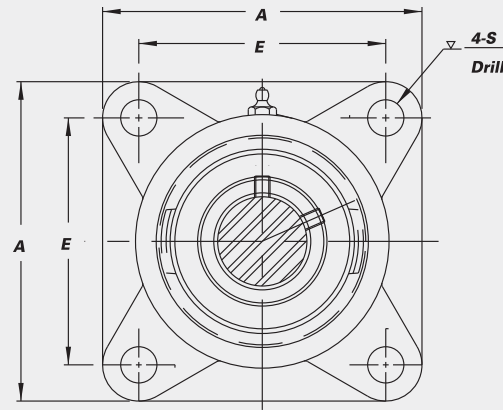
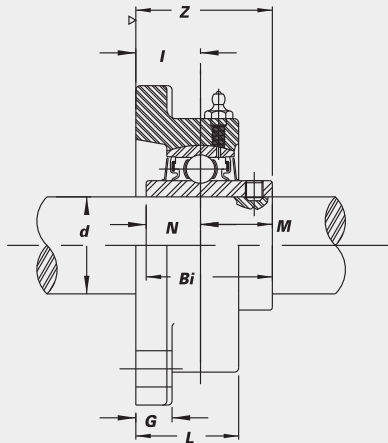
- Wide inner race bearing with greater load carrying capacity than standard duty
- Cast iron housing
- B-type seals
- L3-type seals available in some sizes



B-type Seal



L3-type Seal



STANDARD PRODUCTS

Unit No.	Shaft Dia.		Dimensions (in.) (mm)										Bolt Used (in.)	Bearing No.	Housing No.	Weight (lbs.)
	d (in.)	d (mm)	A	E	I	G	L	S	Z	Bi	N	M				
UCF X05-14 X05-15 X05	$\frac{7}{8}$ $\frac{15}{16}$ 1	25	$4\frac{1}{4}$ 108	$3\frac{1}{4}$ 83	$4\frac{5}{64}$ 18	$\frac{1}{2}$ 13	$1\frac{17}{32}$ 31	$\frac{33}{64}$ 13	$1\frac{19}{32}$ 40.2	1.5000 38.1	0.6260 15.9	0.8740 22.2	$\frac{7}{16}$	UC X05-14 X05-15 X05-16	F 206	2.6
UCF X06-18 X06 X06-19 X06-20	$1\frac{1}{8}$ $\frac{13}{16}$ $1\frac{1}{4}$	30	$4\frac{19}{32}$ 117	$3\frac{5}{8}$ 92	$\frac{3}{4}$ 19	$\frac{19}{32}$ 15	$1\frac{11}{32}$ 34	$\frac{33}{64}$ 13	$1\frac{3}{4}$ 44.4	1.6890 42.9	0.6890 17.5	1.0000 25.4	$\frac{7}{16}$	UC X06-18 X06 X06-19 207-20	F 207	3.5
UCF X07-22 X07 X07-23	$1\frac{3}{8}$ $1\frac{7}{16}$	35	$5\frac{1}{8}$ 130	4 102	$\frac{53}{64}$ 21	$\frac{19}{32}$ 15	$1\frac{13}{32}$ 36	$\frac{35}{64}$ 14	$2\frac{1}{32}$ 51.2	1.9370 49.2	0.7480 19.0	1.1890 30.2	$\frac{1}{2}$	UC X07-22 X07 X07-23	F 208	4.4
UCF X08-24 X08	$1\frac{1}{2}$	40	$5\frac{13}{32}$ 137	$4\frac{1}{8}$ 105	$\frac{55}{64}$ 22	$\frac{5}{8}$ 16	$1\frac{1}{2}$ 38	$\frac{5}{8}$ 16	$2\frac{1}{16}$ 52.2	1.9370 49.2	0.7480 19.0	1.1890 30.2	$\frac{9}{16}$	UC X08-24 X08	F 209	5.3
UCF X09-26 X09-27 X09-28 X09	$1\frac{5}{8}$ $1\frac{11}{16}$ $1\frac{3}{4}$ 45	45	$5\frac{5}{8}$ 143	$4\frac{3}{8}$ 111	$\frac{55}{64}$ 22	$\frac{5}{8}$ 16	$1\frac{9}{16}$ 40	$\frac{5}{8}$ 16	$2\frac{5}{32}$ 54.6	2.0315 51.6	0.7480 19.0	1.2835 32.6	$\frac{9}{16}$	UC X09-26 X09-27 X09-28 X09	F 210	6.2
UCF X10-30 X10-31 X10 X10-32	$1\frac{7}{8}$ $1\frac{15}{16}$ 2	50	$6\frac{1}{2}$ 165	$5\frac{1}{8}$ 130	$\frac{63}{64}$ 25	$\frac{23}{32}$ 18	$1\frac{11}{16}$ 43	$\frac{43}{64}$ 17	$2\frac{5}{16}$ 58.4	2.1890 55.6	0.8740 22.2	1.3150 33.4	$\frac{5}{8}$	UC X10-30 X10-31 X10 211-32	F 211	8.4
UCF X11-34 X11 X11-35 X11-36	$2\frac{1}{8}$ $2\frac{3}{16}$ $2\frac{1}{4}$	55	$6\frac{7}{8}$ 175	$5\frac{5}{8}$ 143	$1\frac{9}{64}$ 29	$\frac{23}{32}$ 18	$1\frac{7}{8}$ 48	$\frac{43}{64}$ 17	$2\frac{23}{32}$ 68.7	2.5630 65.1	1.0000 25.4	1.5630 39.7	$\frac{5}{8}$	UC X11-34 X11 X11-35 212-36	F 212	10.8
UCF X12 X12-38 X12-39	$2\frac{3}{8}$ $2\frac{7}{16}$	60	$7\frac{3}{8}$ 187	$5\frac{7}{8}$ 149	$1\frac{9}{16}$ 30	$\frac{7}{8}$ 22	$1\frac{31}{32}$ 50	$\frac{43}{64}$ 17	$2\frac{29}{32}$ 73.8	2.5630 65.1	1.0000 25.4	1.5630 39.7	$\frac{5}{8}$	UC X12 X12-38 X12-39	F 213	12.6
UCF X13-40 X13	$2\frac{1}{2}$	65	$7\frac{3}{8}$ 187	$5\frac{7}{8}$ 149	$1\frac{11}{32}$ 34	$\frac{13}{16}$ 21	$2\frac{5}{16}$ 59	$\frac{21}{32}$ 17	$3\frac{3}{32}$ 78.5	2.9370 74.6	1.1890 30.2	1.7480 44.4	$\frac{9}{16}$	UC X13-40 X13	FX13	14.1
UCF X14-43 X14-44 X14	$2\frac{11}{16}$ $2\frac{3}{4}$	70	$7\frac{3}{4}$ 197	6 152	$1\frac{5}{8}$ 42	$\frac{7}{8}$ 22	$2\frac{27}{64}$ 61	$\frac{25}{32}$ 20	$3\frac{13}{32}$ 86.5	3.0630 77.8	1.3110 33.3	1.7520 44.5	$\frac{11}{16}$	UC X14-43 X14-44 X14	NF215	15.6
UCF X15-47 X15 X15-48	$2\frac{15}{16}$ 3	75	$7\frac{3}{4}$ 197	6 152	$1\frac{37}{64}$ 40	$\frac{15}{16}$ 24	$2\frac{11}{16}$ 68	$\frac{25}{32}$ 20	$3\frac{17}{32}$ 89.7	3.2520 82.6	1.3110 33.3	1.9410 49.3	$\frac{11}{16}$	UC X15-47 X15 X15-48	FX15	18.5
UCF X17 X17-55 X17-56	$\frac{3}{16}$ $\frac{3}{2}$	85	$8\frac{7}{16}$ 214	$6\frac{3}{4}$ 171	$1\frac{37}{64}$ 40	$\frac{15}{16}$ 24	$2\frac{3}{4}$ 70	$\frac{25}{32}$ 20	$3\frac{25}{32}$ 96.0	3.7795 96.0	1.5630 39.7	2.2165 56.3	$\frac{11}{16}$	UC X17 X17-55 X17-56	FX17	24.0
UCF X20 X20-63 X20-64	$3\frac{15}{16}$ 4	100	$10\frac{9}{16}$ 268	$8\frac{5}{16}$ 211	$2\frac{21}{64}$ 59	$\frac{13}{32}$ 28	$3\frac{13}{16}$ 97	$1\frac{1}{32}$ 31	5 127	4.6260 117.5	1.9370 49.2	2.6890 68.3	1	UC X20 X20-63 X20-64	FX20	42.5

Interchange Page 47