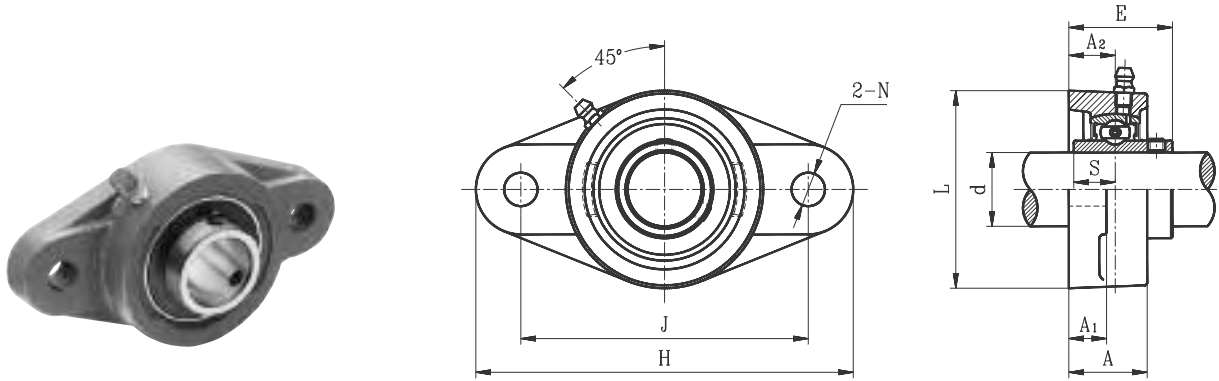


TWO BOLT FLANGE UNITS

UCFLX MEDIUM DUTY SET SCREW LOCKING TYPE



- Cast iron housing
- Wide inner ring bearing

Unit No.	Shaft Dia. d		Dimension (in) (mm)									Bolt Size (in)	Bearing No.	Housing No.	Weight (lb)
	(in.)	(mm)	H	J	L	A2	A1	A	E	N	S				
UCFLX05-16 UCFLX05-25MM	1 25		5-27/32 148	4-5/8 117	3-5/32 80	18	17/32 13	1-1/4 31	1-19/32 40.2	15/32 11.5	21/32 15.9	3/8	UCX05-16 UCX05-25MM	FL206	2.205
UCFLX06-18 UCFLX06-19 UCFLX06-20 UCFLX06-30MM	1-1/8 1-3/16 1-1/4 30		6-11/32 161	5-1/8 130	3-9/16 90	3/4 19	9/16 14	1-11/32 34	1-3/4 44.4	9/16 14	23/32 17.5	1/2	UCX06-18 UCX06-19 UC207-20 UCX06-30MM	FL207	3.306
UCFLX07-20 UCFLX07-22 UCFLX07-23 UCFLX07-35MM	1-1/4 1-3/8 1-7/16 35		6-29/32 175	5-11/16 144	3-15/16 100	27/32 21	9/16 14	1-7/16 36	2-1/32 51.2	9/16 14	3/4 19	1/2	UCX07-20 UCX07-22 UCX07-23 UCX07-35MM	FL208	4.409
UCFLX08-24 UCFLX08-40MM	1-1/2 40		7-13/32 188	5-27/32 148	4-9/32 108	7/8 22	21/32 16	1-1/2 38	2-1/16 52.22	23/32 18	3/4 19	9/16	UCX08-24 UCX08-40MM	FL209	4.85
UCFLX09-26 UCFLX09-27 UCFLX09-28 UCFLX09-45MM	1-5/8 1-11/16 1-3/4 45		7-25/32 197	6-3/16 157	4-17/32 115	29/32 23	21/32 16	1-19/32 40	2-7/32 55.6	23/32 18	3/4 19	5/8	UCX09-26 UCX09-27 UCX09-28 UCX09-45MM	FL210	5.291
UCFLX10-30 UCFLX10-31 UCFLX10-32 UCFLX10-50MM	1-7/8 1-15/16 2 50		8-27/32 224	7-1/4 184	5-1/8 130	1 25	23/32 18	1-23/32 43	2-11/32 59.4	23/32 18	7/8 22.2	5/8	UCX10-30 UCX10-31 UC211-32 UCX10-50MM	FL211	7.495
UCFLX11-34 UCFLX11-35 UCFLX11-36 UCFLX11-55MM	2-1/8 2-3/16 2-1/4 55		9-27/32 250	7-31/32 202	5-17/32 140	1-5/32 29	23/32 18	1-29/32 48	2-23/32 68.7	23/32 18	1 25.4	3/4	UCX11-34 UCX11-35 UC212-36 UCX11-55MM	FL212	8.818

* Dual seal standard. Triple lip seal (R3 suffix) optional.

