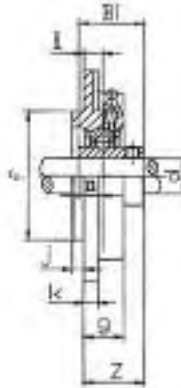
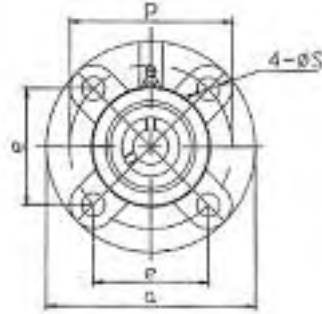


# ROUND FLANGE UNITS

## UCFCSX MEDIUM DUTY SET SCREW LOCKING TYPE



- Cast iron housing
- Wide inner ring bearing

Unit No.	Shaft Dia. d (in.) (mm)	Dimension (in) (mm)												Bolt Size (in)	Bearing No.	Housing No.	Weight (lb)
		a	p	e	l	s	j	k	g	f	z	Bi	n				
UCFCSX05-16 UCFCSX05-25MM	1 25	4-3/8 111	3-5/8 92	2-9/16 65	13/32 10	3/8 9.5	1/4 6	3/8 9.5	31/32 24	3 76	1-9/32 32.2	1-1/2 38.1	21/32 15.9	5/16	UCX05-16 UCX05-25MM	FCSX05	2.45
UCFCSX06-18 UCFCSX06-19 UCFCSX06-20 UCFCSX06-30MM	1-1/8 1-3/16 1-1/4 30	5 127	4-5/32 105	2-15/16 74.2	11/32 8	1/2 12	3/8 9.5	3/8 9.5	29/32 22.5	3-3/8 85	1-11/32 33.4	1-23/32 42.9	23/32 17.5	3/8	UCX06-18 UCX06-19 UC207-20 UCX06-30MM	FCSX06	3.30
UCFCSX07-22 UCFCSX07-23 UCFCSX07-35MM	1-3/8 1-7/16 35	5-1/4 133	4-3/8 111	3-3/32 78.5	3/8 9	1/2 12	7/16 11	7/16 11	1-1/32 26	3-5/8 92	1-9/16 39.2	1-15/16 49.2	3/4 19	3/8	UCX07-22 UCX07-23 UCX07-35MM	FCSX07	3.97
UCFCSX08-24 UCFCSX08-40MM	1-1/2 40	5-1/4 133	4-3/8 111	3-3/32 78.5	3/8 9	1/2 12	7/16 11	7/16 11	1-1/32 26	3-5/8 92	1-9/16 39.2	1-15/16 49.2	3/4 19	3/8	UCX08-24 UCX08-40MM	FCSX08	4.85
UCFCSX09-26 UCFCSX09-27 UCFCSX09-28 UCFCSX09-45MM	1-5/8 1-11/16 1-3/4 45	6-1/8 155	5-1/8 130	3-5/8 91.9	11/32 8	9/16 14	1/2 12	7/16 11	1 25	4-9/32 108	1-5/8 40.6	2-1/16 51.6	3/4 19	3/8	UCX09-26 UCX09-27 UCX09-28 UCX09-45MM	FCSX09	5.97
UCFCSX10-30 UCFCSX10-31 UCFCSX10-32 UCFCSX10-50MM	1-7/8 1-15/16 2 50	6-13/32 162	5-3/8 136	3-13/16 96.2	9/32 7	9/16 14	21/32 16	7/16 11	1 25	4-21/32 118	1-19/32 40.4	2-7/32 55.6	7/8 22.2	1/2	UCX10-30 UCX10-31 UC211-32 UCX10-50MM	FCSX10	7.27
UCFCSX11-34 UCFCSX11-35 UCFCSX11-36 UCFCSX11-55MM	2-1/8 2-3/16 2-1/4 55	7-3/32 180	6 152	4-9/32 108	3/16 4	21/32 16	7/8 22	17/32 13	1-1/32 26	5 127	1-3/4 43.7	2-19/32 65.1	1 25.4	1/2 9/16	UCX11-34 UCX11-35 UCX212-36 UCX11-55MM	FCSX11	9.92
UCFCSX12-38 UCFCSX12-39 UCFCSX12-60MM	2-3/8 2-7/16 60	7-21/32 194	6-1/2 165	4-5/8 117	7/16 11	21/32 16	13/16 20	9/16 14	1-5/16 33	5-17/32 140	2 50.7	2-31/32 75.1	1 25.4	9/16	UCX12-38 UCX12-39 UCX12-60MM	FCSX12	12.56
UCFCSX13-40 UCFCSX13-65MM	2-1/2 65	7-21/32 194	6-1/2 165	4-5/8 117	7/16 11	21/32 16	13/16 20	9/16 14	1-5/16 33	5-17/32 140	2-3/16 55.4	2-15/16 74.6	1-7/32 30.2	9/16	UCX13-40 UCX13-65MM	FCSX13	14.33
UCFCSX14-43 UCFCSX14-44 UCFCSX14-70MM	2-11/16 2-3/4 70	8-3/4 222	7-1/2 190	5-9/32 134	9/16 14	3/4 19	13/16 20	9/16 14	1-7/16 36	6-3/8 162	2-5/16 58.5	3-3/32 77.8	1-5/16 33.3	5/8	UCX14-43 UCX14-44 UCX14-70MM	FCSX14	15.87
UCFCSX15-47 UCFCSX15-48 UCFCSX15-75MM	2-15/16 3 75	8-3/4 222	7-1/2 190	5-9/32 134	1/2 12	3/4 19	7/8 22	21/32 16	1-13/32 35	6-3/8 162	2-7/16 61.3	3-9/32 82.6	1-5/16 33.3	5/8	UCX15-47 UCX15-48 UCX15-75MM	FCSX15	17.64

