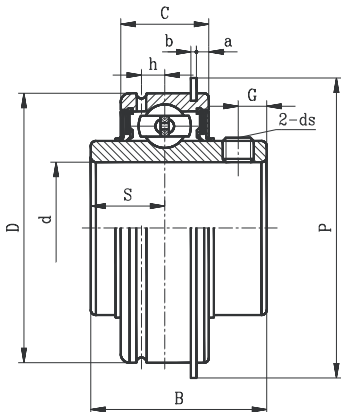


BALL BEARING INSERTS

SER STANDARD DUTY CYLINDRICAL O.D. SET SCREW TYPE WITH SNAP RING AND GROOVE



- Wide inner ring bearing
- Snap ring on set screw side
- Lubrication groove with hole on opposite side
- Dual seal

Bearing No.	Shaft Dia. d		Dimension (in) (mm)									Basic load ratings (lbs)		Weight (lb)	
	(in.)	(mm)	D	B	C	S	a	b	p	G	h	ds	Dynamic		Static
SER201		12													
201-8	1/2	15													
202		15													
202-10	5/8	17	1.8504	1.2205	0.6260	0.4055	0.0937	0.0421	2.0748	0.1850	0.1732	1/4-28UNF	2880	1500	0.53
203		17	47	31.0	15.9	10.3	2.38	1.07	52.7	4.7	4.4	M6X1			
203-11	11/16	20													
204-12	3/4	20													
204		20													
SER205-14	7/8	25													
205-15	15/16	25	2.0472	1.3740	0.7480	0.5157	0.0937	0.0421	2.2795	0.2165	0.1772	1/4-28UNF	3150	1800	0.59
205		25	52	34.9	19.0	13.1	2.38	1.07	57.9	5.5	4.5	M6X1			
205-16	1	25													
SER206-18	1-1/8	30													
206		30	2.4409	1.5000	0.8740	0.6260	0.1252	0.0650	2.6654	0.2165	0.2087	1/4-28UNF	4390	2500	0.86
206-19	1-3/16	30	62	38.1	22.2	15.9	3.18	1.65	67.7	5.5	5.3	M6X1			
206-20	1-1/4	30													
SER207-20	1-1/4	35													
207-21	1-5/16	35	2.8346	1.6890	0.9370	0.6890	0.1252	0.0650	3.0945	0.2559	0.2283	5/16-24UNF	5780	3400	1.24
207-22	1-3/8	35	72	42.9	23.8	17.5	3.18	1.65	78.6	6.5	5.8	M8X1			
207		35													
207-23	1-7/16	35													
SER208-24	1-1/2	40													
208-25	1-9/16	40	3.1496	1.9370	1.0945	0.7480	0.1252	0.0650	3.4094	0.3150	0.2480	5/16-24UNF	6660	4100	1.78
208		40	80	49.2	27.8	19.0	3.18	1.65	86.6	8.0	6.3	M8X1			
SER209-26	1-5/8	45													
209-27	1-11/16	45	3.3465	1.9370	1.0945	0.7480	0.1252	0.0650	3.6063	0.3150	0.2953	5/16-24UNF	7170	4700	1.98
209-28	1-3/4	45	85	49.2	27.8	19.0	3.18	1.65	91.6	8.0	7.5	M8X1			
209		45													
SER210-30	1-7/8	50													
210-31	1-15/16	50	3.5433	2.0315	1.1260	0.7480	0.1252	0.0949	3.7992	0.3543	0.2677	3/8-24UNF	7900	5200	2.12
210		50	90	51.6	28.6	19.0	3.18	2.41	96.5	9.0	6.8	M10X1.25			
SER211-32	2	55													
211-34	2-1/8	55	3.9370	2.1890	1.1890	0.8740	0.1252	0.0949	4.1929	0.3543	0.2992	3/8-24UNF	9800	6600	3.10
211		55	100	55.6	30.2	22.2	3.18	2.41	106.5	9.0	7.6	M10X1.25			
211-35	2-3/16	55													
SER212-36	2-1/4	60													
212		60	4.3307	2.5630	1.2520	1.0000	0.1252	0.949	4.5906	0.4134	0.3307	3/8-24UNF	10700	7400	4.29
212-38	2-3/8	60	110	65.1	31.8	25.4	3.18	2.41	116.6	10.5	8.4	M10X1.25			
212-39	2-7/16	60													
SER214-40	2-1/2	70													
214-43	2-11/16	70	4.9213	2.9370	1.3780	1.1890	0.1559	0.1091	5.3031	0.4724	0.3543	7/16-20UNF	13700	10100	5.54
214		70	125	74.6	35.0	30.2	3.96	2.77	134.7	12.0	9.0	M12X1.25			
SER215-46	2-7/8	75													
215-47	2-15/16	75	5.1181	3.0630	1.5000	1.3110	0.1559	0.1091	5.5000	0.4724	0.3740	7/16-20UNF	14900	11100	6.36
215		75	130	77.8	38.1	33.3	3.96	2.77	139.7	12.0	9.5	M12X1.25			

* Also available in free spinning design and/or with black oxide finish. Contact factory.

