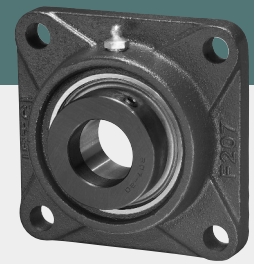
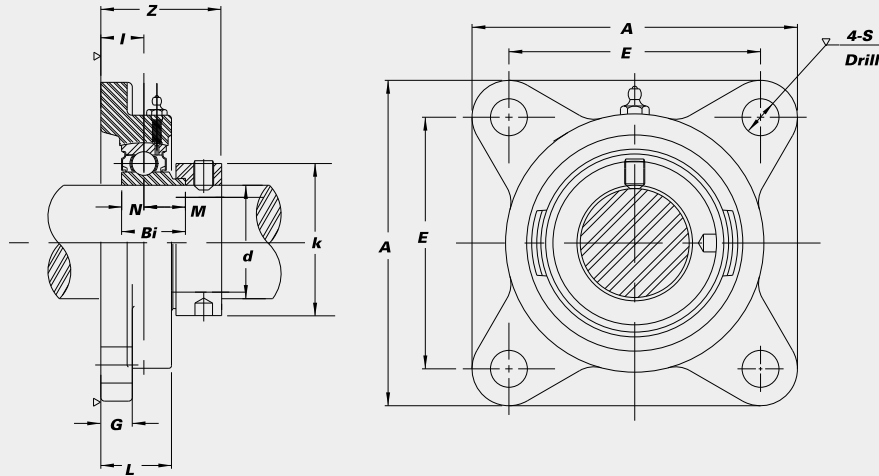


SAF 4-Bolt Flange Units



K-type Seal

- Cast iron housing
- Narrow inner race bearing
- K-type seals
- Eccentric locking collar



STANDARD PRODUCTS

Unit No.	Shaft Dia.		Dimensions (in.) (mm)										Bolt Used (in.)	Bearing No.	Housing No.	Weight (lbs.)			
	d (in.)	d (mm)	A	E	I	G	L	S	Z	Bi	N	M					K		
SAF 201		12																	
201-8	1/2																		
202		15	3	2 1/8	2 1/32	3/8	1 3/32	7/16	1 17/32	1.1260	0.2559	0.4960	1.1260	3/8	SA 201G				
202-10	5/8		76	54	16.7	10	28	11	38.9	28.6	6.5	12.6	28.6		201-8G	F 203	1.2		
203		17													202G				
SAF 204-12	3/4														202-10G				
204		20	3 3/8	2 1/2	1 9/32	7/16	1	7/16	1 17/32	1.2205	0.2953	0.5512	1.3110	3/8	203G	F 204	1.4		
SAF 205-14	7/8														SA 204-12G				
205-15	1 5/16														204G				
205		25	3 3/4	2 3/4	5/8	1/2	1 1/16	2 9/64	1 35/64	1.2205	0.2953	0.5513	1.5000	3/8	SA 205-14G				
205-16	1		95	70	16	13	27	11.5	39.3	31.0	7.5	14.0	38.1		205-15G	F 205	1.9		
															205G				
															205-16G				
SAF 206-17	1 1/16														SA 206-17G				
206-18	1 1/8														206-18G				
206		30	4 1/4	3 1/4	4 5/64	1/2	1 7/32	3 3/64	1 51/64	1.4055	0.3543	0.5827	1.7520	7/16	206G	F 206	2.4		
206-19	1 3/16		108	83	18	13	31	13	45.6	35.7	9.0	14.8	44.5		206-19G				
206-20	1 1/4S														206-20G				
SAF 207-20	1 1/4														SA 207-20G				
207-21	1 5/16														207-21G				
207-22	1 3/8		4 19/32	3 5/8	3/4	1 9/32	1 11/32	3 3/64	1 15/16	1.5315	0.3740	0.6260	2.1890	7/16	207-22G	F 207	3.3		
207		35	117	92	19	15	34	13	49.0	38.9	9.5	15.9	55.6		207G				
207-23	1 7/16														207-23G				
SAF 208-24	1 1/2														SA 208-24G				
208-25	1 9/16														208-25G				
208		40	5 1/8	4	5 3/64	1 9/32	1 13/32	3 5/64	2 1/8	1.7205	0.4331	0.7559	2.3740	1/2	208G	F 208	4.2		
SAF 209-26	1 5/8														SA 209-26G				
209-27	1 11/16														209-27G				
209-28	1 3/4		5 13/32	4 1/8	5 5/64	5/8	1 1/2	5/8	2 5/32	1.7205	0.4331	0.7559	2.5000	9/16	209-28G	F 209	5.2		
209		45	137	105	22	16	38	16	54.7	43.7	11.0	19.2	63.5		209G				
SAF 210-30	1 7/8														SA 210-30G				
210-31	1 15/16														210-31G				
210		50	5 5/8	4 3/8	5 5/64	5/8	1 9/16	5/8	2 5/32	1.7205	0.4331	0.7559	2.7520	9/16	210G	F 210	5.6		
210-32	2S		143	111	22	16	40	16	54.7	43.7	11.0	19.2	69.9		210-32G				
SAF 211-32	2														SA 211-32G				
211-34	2 1/8														211-34G				
211		55	6 1/2	5 1/8	6 3/64	2 3/32	1 11/16	4 3/64	2 27/64	1.9055	0.4724	0.8031	3.0000	5/8	211G	F 211	7.7		
211-35	2 3/16		165	130	25	18	43	17	61.4	48.4	12.0	20.4	76.2		211-35G				

Interchange Page 47