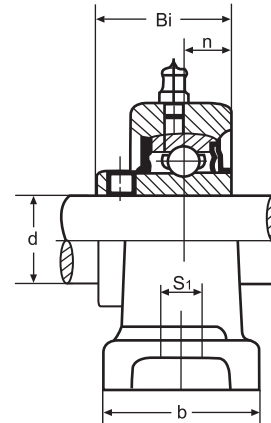
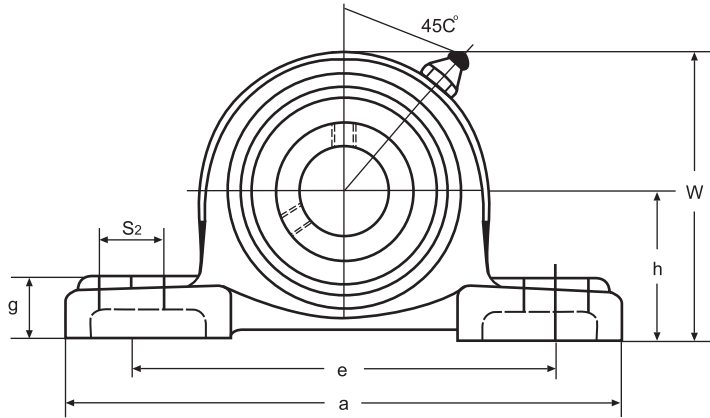


# STAINLESS STEEL MOUNTED UNITS

## SUCSP 200 SERIES



Seal type



SUCSP200 SERIES

Bearing Unit	Shaft Diameter		Dimensions(in.) (mm)										Bolt Used		Bearing No.	Housing No.	Weight (kg)
	d (in.)	d (mm)	h	a	e	b	S2	S1	g	w	Bi	n	in.	mm			
SUCSP204-12 SUCSP204	3/4	20	1-5/16 33.3	5 127	3-3/4 95	1-1/2 38	3/4 19	1/2 13	1/2 13	2-9/16 65	1.2205 31	0.5000 12.7	3/8	M10	SUC204-12 SUC204	SP204	0.7
SUCSP205-16 SUCSP205	1	25	1-7/16 36.5	5-1/2 140	4-1/8 105	1-1/2 38	3/4 19	1/2 13	19/32 15	2-25/32 71	1.3425 34.1	0.5630 14.3	3/8	M10	SUC205-16 SUC205	SP205	0.85
SUCSP206-19 206-20 SUCSP206	1-3/16 1-1/4	30	1-11/16 42.9	6-1/2 165	4-3/4 121	1-7/8 48	25/32 20	21/32 17	21/32 17	3-5/16 84	1.5000 38.1	0.6260 15.9	1/2	M14	SUC206-19 206-20 SUC206	SP206	1.2
SUCSP207-20 207-22 207-23 SUCSP207	1-1/4 1-3/8 1-7/16	35	1-7/8 47.6	6-9/16 167	5 127	1-7/8 48	25/32 20	21/32 17	3/4 19	3-21/32 93	1.6890 42.9	0.6890 17.5	1/2	M14	SUC207-20 207-22 207-23 SUC207	SP207	1.7
SUCSP208-24 SUCSP208	1-1/2	40	1-15/16 49.2	7-1/4 184	5-13/32 137	2-1/8 54	25/32 20	21/32 17	25/32 20	3-27/32 98	1.9370 49.2	0.7480 19	1/2	M14	SUC208-24 SUC208	SP208	2.1
SUCSP209-28 SUCSP209	1-3/4	45	2-1/8 54	7-15/32 190	5-3/4 146	2-1/8 54	25/32 20	21/32 17	25/32 20	4-3/16 106	1.9370 49.2	0.7480 19	1/2	M14	SUC209-28 SUC209	SP209	2.4
SUCSP210-31 210-32 SUCSP210	1-15/16 2	50	2-1/4 57.2	8-1/8 206	6-1/4 159	2-3/8 60	7/8 22	25/32 20	7/8 22	4-31/64 114	2.0315 51.6	0.9685 19	5/8	M16	SUC210-31 210-32 SUC210	SP210	2.9
SUCSP211-35 SUCSP211	2-3/16	55	2-1/2 63.5	8-5/8 219	6-23/32 171	2-3/8 60	7/8 22	25/32 20	7/8 22	4-29/32 125	2.1890 55.6	0.8740 22.2	5/8	M16	SUC211-35 SUC211	SP211	3.7
SUCSP212-39 SUCSP212	2-7/16	60	2-3/4 69.8	9-1/2 241	7-1/4 184	2-3/4 70	1 25	25/32 20	1 25	5-7/16 138	2.5630 65.1	1.0000 25.4	5/8	M16	SUC212-39 SUC212	SP212	4.9