

NAPL Pillow Blocks



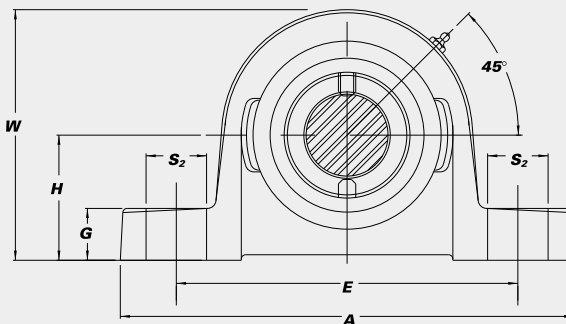
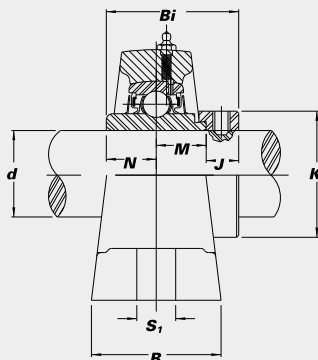
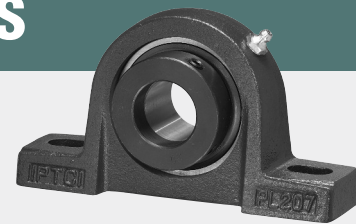
B-type Seal



L3-type Seal

Standard duty. Low shaft height with eccentric locking collar.

- Cast iron housing
- Wide inner race bearing
- B-type or L3-type seals



Unit No.	Shaft Dia.		Dimensions (in.) (mm)													Bolt Used	Bearing No.	Housing No.	Weight (lbs.)	
	d	d	H	A	E	B	S ₂	S ₁	G	W	Bi	N	M	J	K					
NAPL 201		12																NAW 201		
201-8	1/2																	201-8		
202		15	1 1/16	4 7/8	3 5/8	1 7/16	3/4	7/16	17/32	2 15/64	1.4685	0.5472	0.5472	0.3740	1.1260		3/8	PL 203	1.5	
202-10	5/8		27	124	92	37	19	11	13	57	37.3	13.9	13.9	9.5	28.6			202-10		
203		17																203		
NAPL 204-12	3/4																	NA 204-12	PL 204	1.7
204		20	1 1/4	5	3 3/4	1 1/2	9/16	7/16	9/16	2 1/2	1.7126	0.6693	0.6693	0.3740	1.3110		3/8	204		
NAPL 205-14	7/8																	NA 205-14		
205-15	15/16																	205-15	PL 205	2.0
205		25	1 5/16	5 1/2	4 1/8	1 1/2	1 1/16	7/16	5/8	2 45/64	1.7441	0.6850	0.6850	0.3740	1.5000		3/8	205		
205-16	1		33.3	140	105	38	18	11	16	69	44.3	17.4	17.4	9.5	38.1			205-16		
NAPL 206-17	1 1/16																	NA 206-17		
206-18	1 1/8																	206-18	PL 206	3.0
206		30	1 9/16	6 1 1/32	4 3/4	1 3/4	1 3/16	9/16	1 1/16	3 5/32	1.9016	0.7165	0.7165	0.4685	1.7520		1/2	206		
206-19	1 3/16		39.7	161	121	45	21	14	18	80	48.3	18.2	18.2	11.9	44.5			206-19		
206-20	1 1/4 S																	206-20		
NAPL 207-20	1 1/4																	NA 207-20		
207-21	1 5/16																	207-21	PL 207	4.1
207-22	1 3/8																	207-22		
207		35	1 13/16	6 19/32	5	1 7/8	7/8	9/16	25/32	3 21/32	2.0118	0.7402	0.7402	0.5315	2.1890		1/2	207		
207-23	1 7/16		46.0	167	127	48	22	14	20	93	51.1	18.8	18.8	13.5	55.6			207-23		
NAPL 208-24	1 1/2																	NA 208-24		
208-25	1 9/16																	208-25	P 208	5.3
208		40	1 15/16	7 1/8	5 1/16	2	7/8	9/16	1 3/16	4	2.2165	0.8425	0.8425	0.5315	2.3740		1/2	208		
NAPL 209-26	1 5/8																	NA 209-26		
209-27	1 11/16																	209-27	PL 209	6.1
209-28	1 3/4																	209-28		
209		45	2 1/16	7 1/2	5 3/4	2 1/8	1 3/16	9/16	29/32	4 7/32	2.2165	0.8425	0.8425	0.5315	2.5000		1/2	209		
NAPL 210-30	1 7/8																	NA 210-30		
210-31	1 15/16																	210-31	PL 210	7.0
210		50	2 3/16	8 1/32	6 1/4	2 1/4	1 5/16	1 1/16	29/32	4 29/64	2.4685	0.9685	0.9685	0.5315	2.7520		5/8	210		
210-32	2 S		55.6	204	159	57	24	18	23	113	62.7	24.6	24.6	13.5	69.9			210-32		
NAPL 211-32	2																	NA 211-32		
211-34	2 1/8																	211-34	PL 211	9.3
211		55	2 7/16	8 5/8	7	2 3/8	1 5/16	1 1/16	1	4 61/64	2.8110	1.0906	1.0906	0.6299	3.0000		5/8	211		
211-35	2 3/16		61.9	219	178	60	24	18	25.4	126	71.4	27.7	27.7	16.0	76.2			211-35		
NAPL 212-36	2 1/4																	NA 212-36		
212		60	2 11/16	9 1/16	7 3/8	2 1/2	1	1 1/16	1 1/32	5 13/32	3.0630	1.2165	1.2165	0.6299	3.3150		5/8	212	PL 212	11.6
212-38	2 5/8		68.3	240	187	63	25.4	18	26.5	137	77.8	30.9	30.9	16.0	84.2			212-38		
212-39	2 7/16																	212-39		
NAPL 213-40	2 1/2																	NA 213-40	PL 213	13.8
213		65	2 11/16	9 3/4	7 5/8	2 3/4	1 1/8	1 1/16	1 1/8	5 7/16	3.3740	1.3425	1.3425	0.6890	3.3858		5/8	213		
NAPL 215-47	2 15/16																	NA 215-47		
215		75	3 1/4	10 13/16	8 1/2	2 15/16	1 1/4	1	1 1/8	6 33/64	3.6260	1.4685	1.4685	0.6890	4.0157		7/8	215	P 215	18.3
215-48	3		82.6	275	217	75	31	25.4	29	166	92.1	37.3	37.3	17.5	102.0			215-48		

Interchange Page 47

STANDARD PRODUCTS