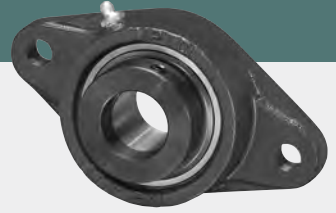


NANFL 2-Bolt Flange Units



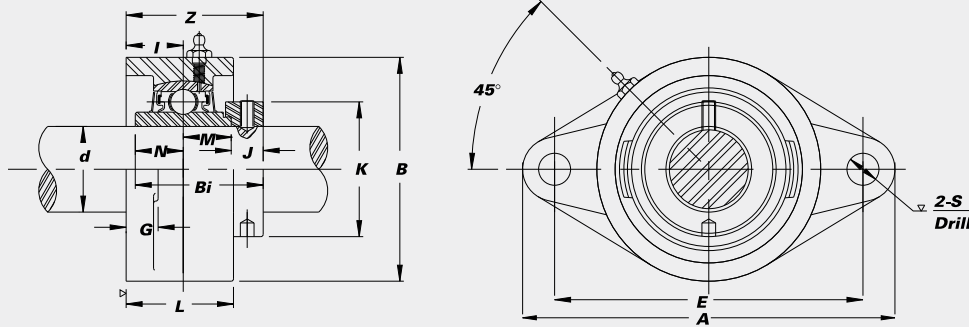
B-type Seal



L3-type Seal

Standard duty with eccentric locking collar.

- Cast iron housing
- B-type or L3-type seals
- Wide inner race bearing



STANDARD PRODUCTS

| Unit No. | Shaft Dia. | | Dimensions (in.) | | | | | | | | | | | | Bolt Used | Bearing No. | Housing No. | Weight (lbs.) | | |
|--------------|---------------------------------|------|---------------------------------|---------------------------------|---------------------------------|-------|---------------------------------|--------------------------------|---------------------------------|---------------------------------|--------|--------|--------|--------|-----------|-------------|-------------|---------------|---------|------|
| | d | (mm) | A | E | I | G | L | S | B | Z | Bi | N | M | J | | | | | K | |
| NANFL 201 | | 12 | | | | | | | | | | | | | | | | NAW201 | | |
| 201-8 | 1/2 | | | | | | | | | | | | | | | | | 201-8 | | |
| 202 | 5/8 | 15 | 4 ¹³ / ₃₂ | 3 | 43/64 | 7/16 | 3 ¹ / ₃₂ | 25/64 | 2 ³ / ₈ | 11 ⁹ / ₃₂ | 1.4685 | 0.5472 | 0.5472 | 0.3740 | 1.1260 | | 5/16 | 202 | FT 203 | 1.2 |
| 202-10 | | | 112 | 76.2 | 17 | 11 | 25 | 10 | 60 | 40.5 | 37.3 | 13.9 | 13.9 | 9.5 | 28.6 | | | 202-10 | | |
| 203 | | 17 | | | | | | | | | | | | | | | | 203 | | |
| NANFL 204-12 | 3/4 | 20 | 4 ⁷ / ₁₆ | 3 ¹⁷ / ₃₂ | 3/4 | 7/16 | 1 ⁵ / ₃₂ | 25/64 | 2 ³ / ₈ | 1 ²⁵ / ₃₂ | 1.7126 | 0.6693 | 0.6693 | 0.3740 | 1.3110 | | 5/16 | NA 204-12 | NFL 204 | 1.3 |
| 204 | | | 113 | 89.7 | 19 | 11 | 29.5 | 10 | 60 | 45.5 | 43.5 | 17.0 | 17.0 | 9.5 | 33.3 | | | 204 | | |
| NANFL 205-14 | 7/8 | 25 | 5 ¹ / ₈ | 3 ⁵⁷ / ₆₄ | 25/32 | 1/2 | 1 ⁷ / ₃₂ | 15/32 | 2 ¹¹ / ₁₆ | 1 ²⁷ / ₃₂ | 1.7441 | 0.6850 | 0.6850 | 0.3740 | 1.5000 | | 3/8 | NA 205-14 | | |
| 205-15 | 15/16 | | 130 | 98.8 | 20 | 13 | 31 | 11.9 | 68 | 46.7 | 44.3 | 17.4 | 17.4 | 9.5 | 38.1 | | | 205-15 | NFL 205 | 2.0 |
| 205 | | | | | | | | | | | | | | | | | | 205 | | |
| 205-16 | 1 | | | | | | | | | | | | | | | | | 205-16 | | |
| NANFL 206-17 | 1 ¹ / ₁₆ | 30 | 5 ¹³ / ₁₆ | 4 ¹⁹ / ₃₂ | 53/64 | 1/2 | 1 ¹¹ / ₃₂ | 15/32 | 3 ⁵ / ₃₂ | 2 | 1.9016 | 0.7165 | 0.7165 | 0.4685 | 1.7520 | | 3/8 | NA 206-17 | | |
| 206-18 | 1 ¹ / ₈ | | 148 | 116.7 | 21 | 13 | 34 | 11.9 | 80 | 51.1 | 48.3 | 18.2 | 18.2 | 11.9 | 44.5 | | | 206-18 | NFL 206 | 2.5 |
| 206 | | | | | | | | | | | | | | | | | | 206 | | |
| 206-19 | 1 ³ / ₁₆ | | | | | | | | | | | | | | | | | 206-19 | | |
| 206-20 | 1 ¹ / ₄ S | | | | | | | | | | | | | | | | | 206-20 | | |
| NANFL 207-20 | 1 ¹ / ₄ | 35 | 6 ¹¹ / ₃₂ | 5 ¹ / ₈ | 2 ⁷ / ₃₂ | 9/16 | 1 ⁷ / ₁₆ | 33/64 | 3 ¹⁷ / ₃₂ | 2 ⁷ / ₈ | 2.0118 | 0.7402 | 0.7402 | 0.5315 | 2.1890 | | 7/16 | NA 207-20 | | |
| 207-21 | 1 ⁵ / ₁₆ | | 161 | 130.2 | 21.5 | 14 | 36.5 | 13 | 90 | 53.8 | 51.1 | 18.8 | 18.8 | 13.5 | 55.6 | | | 207-21 | NFL 207 | 3.5 |
| 207-22 | 1 ³ / ₈ | | | | | | | | | | | | | | | | | 207-22 | | |
| 207 | | | | | | | | | | | | | | | | | | 207 | | |
| 207-23 | 1 ⁷ / ₁₆ | | | | | | | | | | | | | | | | | 207-23 | | |
| NANFL 208-24 | 1 ¹ / ₂ | 40 | 6 ⁷ / ₈ | 5 ²¹ / ₃₂ | 15/16 | 9/16 | 1 ¹⁷ / ₃₂ | 33/64 | 3 ¹⁵ / ₁₆ | 2 ⁵ / ₁₆ | 2.2165 | 0.8425 | 0.8425 | 0.5315 | 2.3740 | | 7/16 | NA 208-24 | | |
| 208-25 | 1 ⁹ / ₁₆ | | 175 | 143.7 | 24 | 14 | 39 | 13 | 100 | 58.9 | 56.3 | 21.4 | 21.4 | 13.5 | 60.3 | | | 208-25 | NFL 208 | 4.5 |
| 208 | | | | | | | | | | | | | | | | | | 208 | | |
| NANFL 209-26 | 1 ⁵ / ₈ | 45 | 7 ¹³ / ₃₂ | 5 ²⁷ / ₃₂ | 15/16 | 9/16 | 1 ⁹ / ₁₆ | 19/32 | 4 ¹ / ₄ | 2 ⁵ / ₁₆ | 2.2165 | 0.8425 | 0.8425 | 0.5315 | 2.5000 | | 1/2 | NA 209-26 | | |
| 209-27 | 1 ¹¹ / ₁₆ | | 188 | 148.4 | 24 | 14 | 40 | 15 | 108 | 58.9 | 56.3 | 21.4 | 21.4 | 13.5 | 63.5 | | | 209-27 | NFL 209 | 5.2 |
| 209-28 | 1 ³ / ₄ | | | | | | | | | | | | | | | | | 209-28 | | |
| 209 | | | | | | | | | | | | | | | | | | 209 | | |
| NANFL 210-30 | 1 ⁷ / ₈ | 50 | 7 ³ / ₄ | 6 ³ / ₁₆ | 1 ¹ / ₈ | 9/16 | 1 ²⁷ / ₃₂ | 19/32 | 4 ¹⁷ / ₃₂ | 2 ⁵ / ₈ | 2.4685 | 0.9685 | 0.9685 | 0.5315 | 2.7520 | | 1/2 | NA 210-30 | | |
| 210-31 | 1 ¹⁵ / ₁₆ | | 197 | 157 | 28.5 | 14 | 46.5 | 15 | 115 | 66.6 | 62.7 | 24.6 | 24.6 | 13.5 | 69.9 | | | 210-31 | NFL 210 | 6.1 |
| 210 | | | | | | | | | | | | | | | | | | 210 | | |
| 210-32 | 2S | | | | | | | | | | | | | | | | | 210-32 | | |
| NANFL 211-32 | 2 | 55 | 8 ¹³ / ₁₆ | 7 ¹ / ₄ | 1 ¹⁷ / ₆₄ | 13/16 | 1 ³¹ / ₃₂ | 4 ¹ / ₆₄ | 5 ¹ / ₈ | 2 ³¹ / ₃₂ | 2.8110 | 1.0906 | 1.0906 | 0.6299 | 3.0000 | | 9/16 | NA 211-32 | | |
| 211-34 | 2 ¹ / ₈ | | 224 | 184 | 32 | 20 | 50 | 16.3 | 130 | 75.7 | 71.4 | 27.7 | 27.7 | 16.0 | 76.2 | | | 211-34 | NFL 211 | 9.2 |
| 211 | | | | | | | | | | | | | | | | | | 211 | | |
| 211-35 | 2 ³ / ₁₆ | | | | | | | | | | | | | | | | | 211-35 | | |
| NANFL 212-36 | 2 ¹ / ₄ | 60 | 9 ²⁷ / ₃₂ | 7 ¹⁵ / ₁₆ | 1 ²⁷ / ₆₄ | 13/16 | 2 ⁵ / ₃₂ | 4 ¹ / ₆₄ | 5 ¹ / ₂ | 3 ³ / ₄ | 3.0630 | 1.2165 | 1.2165 | 0.6299 | 3.3150 | | 9/16 | NA 212-36 | | |
| 212 | | | 250 | 202 | 36 | 20 | 55 | 16.3 | 140 | 82.9 | 77.8 | 30.9 | 30.9 | 16.0 | 84.2 | | | 212 | NFL 212 | 11.1 |
| 212-38 | 2 ³ / ₈ | | | | | | | | | | | | | | | | | 212-38 | | |
| 212-39 | 2 ⁷ / ₁₆ | | | | | | | | | | | | | | | | | 212-39 | | |

Interchange Page 47