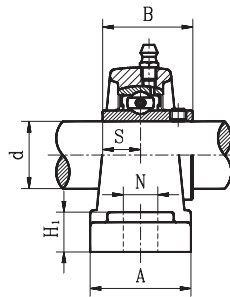
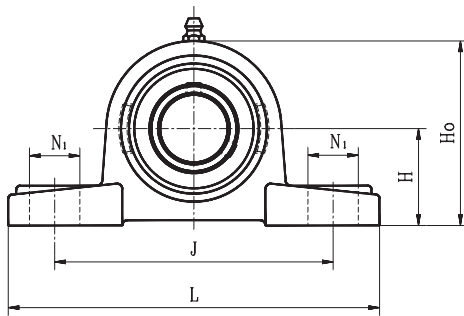


PILLOW BLOCKS

UCPX MEDIUM DUTY SET SCREW LOCKING TYPE



- Cast iron housing - solid base
- Wide inner ring bearing

Unit No.	Shaft Dia. d		Dimension (in) (mm)										Bolt Size (in)	Bearing No.	Housing No.	Weight (lb)
	(in.)	(mm)	H	L	J	A	N	N1	H1	H0	S	B				
UCPX05-16 UCPX05-25MM	1	25	1-3/4 44.4	6-9/32 159	4-11/16 119	2-1/32 51	11/16 17	13/16 20	11/16 17	3-3/8 85	21/32 15.9	1-1/2 38.1	9/16	UCX05-16 UCX05-25MM	PX05	3.306
UCPX06-18 UCPX06-19 UCPX06-20 UCPX06-30MM	1-1/8 1-3/16 1-1/4	30	1-29/32 47.6	6-29/32 175	5 127	2-5/32 54	11/16 17	13/16 20	13/16 20	3-11/16 93	11/16 17.5	1-11/16 42.9	9/16	UCX06-18 UCX06-19 UC207-20 UCX06-30MM	PX06	4.629
UCPX07-20 UCPX07-22 UCPX07-23 UCPX07-35MM	1-1/4 1-3/8 1-7/16	35	2-5/32 54	8 203	5-11/16 144	2-1/4 57	11/16 17	13/16 20	27/32 21	4-5/32 105	3/4 19	1-15/16 49.2	9/16	UCX07-20 UCX07-22 UCX07-23 UCX07-35MM	PX07	5.952
UCPX08-24 UCPX08-40MM	1-1/2	40	2-5/16 58.7	8-3/4 222	6-5/32 156	2-9/16 65	13/16 20	29/32 23	29/32 23	4-7/16 112	3/4 19	1-15/16 49.2	5/8	UCX08-24 UCX08-40MM	PX08	7.716
UCPX09-26 UCPX09-27 UCPX09-28 UCPX09-45MM	1-5/8 1-11/16 1-3/4	45	2-5/16 58.7	8-3/4 222	6-5/32 156	2-21/32 67	13/16 20	29/32 23	1 25	4-19/32 116	3/4 19	2-1/32 51.6	5/8	UCX-09-26 UCX-09-27 UCX-09-28 UCX09-45MM	PX09	8.157
UCPX10-30 UCPX10-31 UCPX10-32 UCPX10-50MM	1-7/8 1-15/16 2	50	2-1/2 63.5	9-15/32 240	6-3/4 171	2-13/16 71	13/16 20	29/32 23	31/32 24	4-31/32 126	7/8 22	2-7/32 55.6	5/8	UCX10-30 UCX10-31 UC211-32 UCX10-50MM	PX10	10.141
UCPX11-34 UCPX11-35 UCPX11-36 UCPX11-55MM	2-1/8 2-3/16 2-1/4	55	2-3/4 69.8	10-1/4 260	7-1/4 184	3-1/8 79	1 25	1-1/8 28	1-5/32 29	5-13/32 137	1 25.4	2-19/32 65.1	3/4	UCX11-34 UCX11-35 UC212-36 UCX11-55MM	PX11	14.330
UCPX12-38 UCPX12-39 UCPX12-60MM	2-3/8 2-7/16	60	3 76.2	11 280	8 203	3-7/32 81	1 25	1-1/8 28	1-1/4 31	5-7/8 149	1 25.4	2-19/32 65.1	3/4	UCX12-38 UCX12-39 UCX12-60MM	PX12	16.975
UCPX13-40 UCPX13-65MM	2-1/2	65	3 76.2	12-19/32 286	8 203	3-9/32 83	1 25	1-1/8 28	1-5/16 33	6 152	1-7/32 30.2	2-15/16 74.6	3/4	UCX13-40 UCX13-65MM	PX13	17.857
UCPX14-43 UCPX14-44 UCPX14-70MM	2-11/16 2-3/4	70	3-1/2 88.9	12-19/32 320	9-1/32 229	3-3/8 85	1-3/32 27	1-3/16 30	1-11/32 34	6-23/32 170	1-5/16 33.3	3-3/32 77.8	7/8	UCX14-43 UCX14-44 UCX14-70MM	PX14	22.487
UCPX15-47 UCPX15-48 UCPX15-75MM	2-15/16 3	75	3-1/2 88.9	13 330	9-1/32 229	3-5/8 92	1-3/32 27	1-3/16 30	1-13/32 35	6-29/32 175	1-5/16 33.3	3-9/32 82.6	7/8	UCX15-47 UCX15-48 UCX15-75MM	PX15	23.809