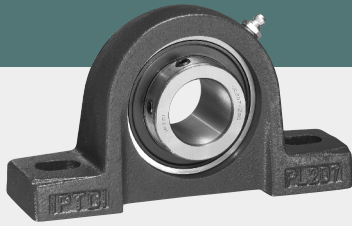


UCPL Pillow Blocks



Standard duty. Low shaft height with set screw lock.

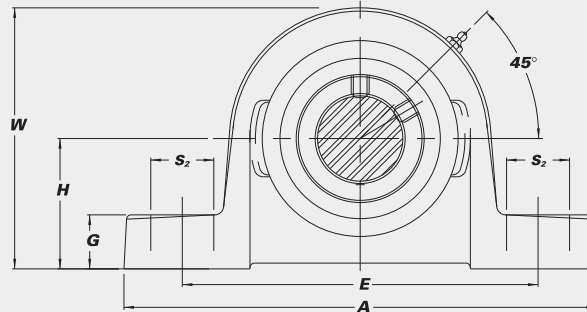
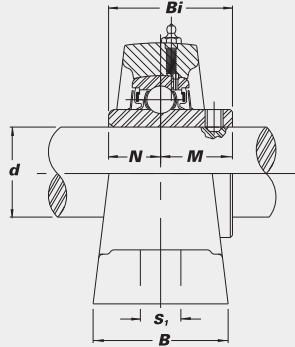
- Cast iron housing
- B-type or L3-type seals
- Wide inner race bearing



B-type Seal



L3-type Seal



Unit No.	Shaft Dia.		Dimensions										Bolt Used	Bearing No.	Housing No.	Weight (lbs.)	
	d	d	H	A	E	B	S ₂	S ₁	G	W	Bi	N					M
	(in.)	(mm)	(in.)	(mm)	(in.)	(mm)	(in.)	(mm)	(in.)	(mm)	(in.)	(mm)	(in.)	(in.)			
UCPL 201		12														UCW201	
201-8	1/2															201-8	
202		15	1 1/16	4 7/8	3 5/8	1 7/16	3/4	7/16	1 7/32	2 15/64	1.0236	0.3937	0.6299	3/8		PL 203	1.4
202-10	5/8		27	124	92	37	19	11	13	57	26.0	10.0	16.0		202-10		
203		17													203		
UCPL 204-12	3/4		1 1/4	5	3 3/4	1 1/2	9/16	7/16	9/16	2 1/2	1.2205	0.5000	0.7205	3/8	UC 204-12	PL 204	1.6
204		20	31.8	127	95	38	14	11	14	64	31.0	12.7	18.3		204		
UCPL 205-14	7/8														UC 205-14		
205-15	15/16		1 5/16	5 1/2	4 1/8	1 1/2	1 1/16	7/16	5/8	2 45/64	1.3386	0.5630	0.7756	3/8	205-15	PL 205	1.9
205		25	33.3	140	105	38	18	11	16	69	34.0	14.3	19.7		205		
205-16	1														205-16		
UCPL 206-17	1 1/16														UC 206-17		
206-18	1 1/8		1 9/16	6 1 1/32	4 3/4	1 3/4	1 3/16	9/16	1 1/16	3 5/32	1.5000	0.6260	0.8740	1/2	206-18	PL 206	2.9
206		30	39.7	161	121	45	21	14	18	80	38.1	15.9	22.2		206		
206-19	1 3/16														206-19		
206-20	1 1/4S														206-20		
UCPL 207-20	1 1/4														UC 207-20		
207-21	1 5/16		1 13/16	6 19/32	5	1 7/8	7/8	9/16	2 5/32	3 21/32	1.6890	0.6890	1.0000	1/2	207-21	PL 207	3.9
207-22	1 3/8		46.0	167	127	48	22	14	20	93	42.9	17.5	25.4		207-22		
207		35													207		
207-23	1 7/16														207-23		
UCPL 208-24	1 1/2														UC 208-24		
208-25	1 3/16		1 15/16	7 1/8	5 7/16	2	7/8	9/16	1 3/16	4	1.9370	0.7480	1.1890	1/2	208-25	P 208	5.0
208		40	49.2	181	137	51	22	14	21	102	49.2	19.0	30.2		208		
UCPL 209-26	1 5/8														UC 209-26		
209-27	1 11/16		2 1/16	7 1/2	5 3/4	2 1/8	1 3/16	9/16	2 9/32	4 7/32	1.9370	0.7480	1.1890	1/2	209-27	PL 209	5.7
209-28	1 3/4		52.4	191	146	54	20	14	23	107	49.2	19.0	30.2		209-28		
209		45													209		
UCPL 210-30	1 7/8														UC 210-30		
210-31	1 15/16		2 5/16	8 1/32	6 1/4	2 1/4	1 5/16	1 1/16	2 9/32	4 29/64	2.0315	0.7480	1.2835	5/8	210-31	PL 210	6.6
210		50	55.6	204	159	57	24	18	23	113	51.6	19.0	32.6		210		
210-32	2S														210-32		
UCPL 211-32	2														UC 211-32		
211-34	2 1/8		2 1/16	8 5/8	7	2 5/8	1 5/16	1 1/16	1	4 61/64	2.1890	0.8740	1.3150	5/8	211-34	PL 211	8.7
211		55	61.9	219	178	60	24	18	25.4	126	55.6	22.2	33.4		211		
211-35	2 3/16														211-35		
UCPL 212-36	2 1/4														UC 212-36		
212		60	2 11/16	9 7/16	7 3/8	2 1/2	1	1 1/16	1 1/32	5 13/32	2.5630	1.0000	1.5630	5/8	212	PL 212	10.9
212-38	2 3/8		68.3	240	187	63	25.4	18	26.5	137	65.1	25.4	39.7		212-38		
212-39	2 1/16														212-39		
UCPL 213-40	2 1/2														UC 213-40		
213		65	2 11/16	9 3/4	7 5/8	2 3/4	1 1/8	1 1/16	1 1/8	5 7/16	2.5630	1.0000	1.5630	5/8	213	PL 213	13.9
			68.3	248	194	70	29	18	29	138	65.1	25.4	39.7				
UCPL 215-47	2 15/16														UC 215-47		
215		75	3 1/4	10 13/16	8 1/2	2 15/16	1 1/4	1	1 1/8	6 33/64	3.0630	1.3110	1.7520	7/8	215	P 215	17.0
215-48	3		82.6	275	217	75	31	25.4	29	166	77.8	33.3	44.5		215-48		

Interchange Page 47