

# NAP Pillow Blocks



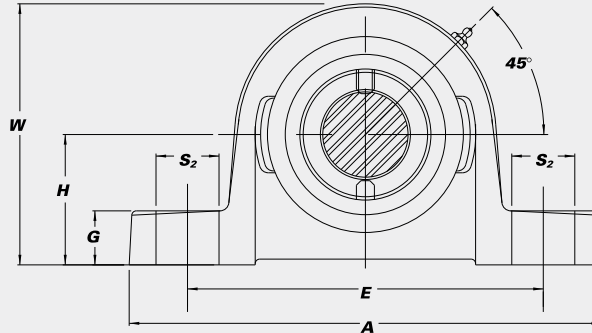
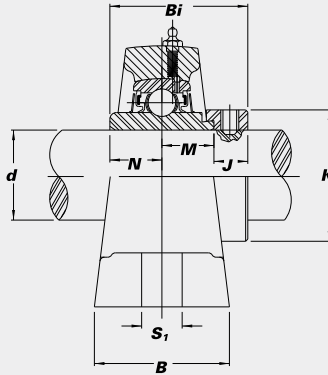
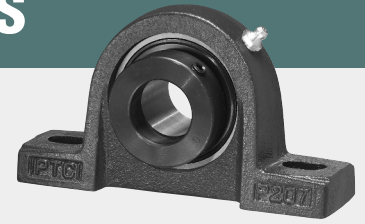
B-type Seal



L3-type Seal

**Standard duty. High shaft height with eccentric locking collar.**

- Cast iron housing
- B-type or L3-type seals
- Wide inner race bearing



Unit No.	Shaft Dia.		Dimensions (in.) (mm)													Bolt Used (in.)	Bearing No.	Housing No.	Weight (lbs.)	
	d (in.)	d (mm)	H	A	E	B	S <sub>2</sub>	S <sub>1</sub>	G	W	Bi	N	M	J	K					
NAP 201		12																NAW201		
201-8	1/2	12																201-8		
202		15	13/16	47/8	35/8	17/16	3/4	7/16	17/32	223/64	1.4685	0.5472	0.5472	0.3740	1.1260		3/8	202	P 203	1.6
202-10	5/8	15	30.2	124	92	37	19	11	13	60	37.3	13.9	13.9	9.5	28.6			202-10		
203		17																203		
NAP 204-12	3/4	17																NA 204-12		
204		20	15/16	5	33/4	11/2	11/16	7/16	9/16	219/32	1.7126	0.6693	0.6693	0.3740	1.3110		3/8	204	P 204	1.7
NAP 205-14	7/8	17																NA 205-14		
205-15	15/16	20	17/16	5 1/2	4 1/8	1 1/2	11/16	1/2	5/8	227/32	1.7441	0.6850	0.6850	0.3740	1.5000		3/8	205-15	P 205	2.1
205		25	36.5	140	105	38	17	13	16	72	44.3	17.4	17.4	9.5	38.1			205		
205-16	1																	205-16		
NAP 206-17	1 1/16	30																NA 206-17		
206-18	1 1/8	30	1 11/16*	6 5/16	4 3/4	1 3/4	13/16	9/16	11/16	319/64	1.9016	0.7165	0.7165	0.4685	1.7520		1/2	206-18	P 206	3.1
206			42.9	160	121	44	21	14	18	84	48.3	18.2	18.2	11.9	44.5			206		
206-19	1 3/16																	206-19		
206-20	1 1/4 S																	206-20		
NAP 207-20	1 1/4	35																NA 207-20		
207-21	1 5/16	35	17/8	6 17/32	5	1 29/32	7/8	9/16	3/4	311/16	2.0118	0.7402	0.7402	0.5315	2.1890		1/2	207-21	P 207	4.2
207-22	1 3/8		47.6	166	127	48	22	14	19	94	51.1	18.8	18.8	13.5	55.6			207-22		
207																		207		
207-23	1 7/16																	207-23		
NAP 208-24	1 1/2	40																NA 208-24		
208-25	1 5/16	40	1 15/16**	7 1/8	5 7/16	2	7/8	9/16	13/16	4	2.2165	0.8425	0.8425	0.5315	2.3740		1/2	208-25	P 208	5.3
208			49.2	181	137	51	22	14	21	102	56.3	21.4	21.4	13.5	60.3			208		
NAP 209-26	1 5/8	45																NA 209-26		
209-27	1 11/16	45	2 1/8	7 1/2	5 3/4	2 1/8	13/16	19/32	7/8	417/64	2.2165	0.8425	0.8425	0.5315	2.5000		1/2	209-27	P 209	6.1
209-28	1 3/4		54.0	190	146	54	21	15	22	109	56.3	21.4	21.4	13.5	63.5			209-28		
209																		209		
NAP 210-30	1 7/8	50																NA 210-30		
210-31	1 15/16	50	2 1/4	8	6 1/4	2 1/4	15/16	23/32	15/16	433/64	2.4685	0.9685	0.9685	0.5315	2.7520		5/8	210-31	P 210	7.2
210			57.2	203	159	57	24	18	24	115	62.7	24.6	24.6	13.5	69.9			210		
210-32	2 S																	210-32		
NAP 211-32	2	55																NA 211-32		
211-34	2 1/8	55	2 1/2	8 5/8	6 7/8	2 3/8	15/16	23/32	1 1/16	51/32	2.8110	1.0905	1.0905	0.6300	3.0000		5/8	211-34	P 211	9.4
211			63.5	220	174	60	24	18	27	128	71.4	27.7	27.7	16.0	76.2			211		
211-35	2 3/16																	211-35		
NAP 212-36	2 1/4	60																NA 212-36		
212		60	2 3/4	9 17/32	7 11/32	2 1/2	1	25/32	1 1/16	533/64	3.0630	1.2165	1.2165	0.6300	3.3150		5/8	212	P 212	11.9
212-38	2 3/8		69.8	242	187	64	25.4	20	27	140	77.8	30.9	30.9	16.0	84.2			212-38		
212-39	2 7/16																	212-39		
NAP 213-40	2 1/2	65																NA 213-40		
213		65	3	10 3/4	8 1/8	2 11/16	1 3/16	13/16	1 1/8	61/32	3.3740	1.3425	1.3425	0.6890	3.3858		7/8	213	P 213	14.0
			76.2	273	206	68	30	20	28	153	85.7	34.1	34.1	17.5	86.0					
NAP 215-47	2 15/16	75																NA 215-47		
215		75	3 1/4	10 13/16	8 1/2	2 15/16	1 1/4	1	1 1/8	633/64	3.6260	1.4685	1.4685	0.6890	4.0157		7/8	215	P 215	18.3
215-48	3		82.6	275	217	75	31	25.4	29	166	92.1	37.3	37.3	17.5	102.0			215-48		

Interchange Page 47 \*Also available 1 5/8" \*\*Also available 2 1/8"