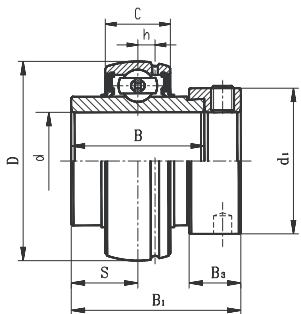


# BALL BEARING INSERTS

## HC STANDARD DUTY ECCENTRIC LOCKING COLLAR TYPE



- Wide inner ring bearing
- Lubrication groove with hole on collar side
- Additional oil hole on opposite side
- Anti-rotation device
- Dual seal

Bearing No.	Shaft Dia. d		Dimension (in) (mm)								Eccentric collar	Basic load rating (lb)		Weight (lb)
	(in.)	(mm)	D	C	B	S	B <sub>1</sub>	B <sub>3</sub>	h	D <sub>1</sub>		Dynamic	Static	
HC201S		12									A201S			0.51
201-8S	1/2										201-8S			0.51
202S		15	1.5748	0.5512	1.0945	0.5472	1.4685	0.5315	0.1378	1.1260	202S	2146	1074	0.49
202-10S	5/8		40	14	27.8	13.9	37.3	13.5	3.5	28.6	202-10S			0.46
203S		17									203S			0.44
203-11S	11/16										203-11S			0.42
HC201		12									A201			0.60
201-8	1/2										201-8			0.59
202		15									202	2877	1494	0.57
202-10	5/8		1.8540	0.6299	1.3386	0.6693	1.7126	0.5315	0.1732	1.3110	202-10			0.55
203		17	47	16	34.0	17.0	43.5	13.5	4.4	33.3	203			0.53
203-11	11/16										203-11			0.53
203-12	3/4										203-12			0.51
204		20									204			0.49
HC205-14	7/8										A205-14			0.62
205-15	15/16		2.0472	0.6693	1.3701	0.6850	1.7441	0.5315	0.1693	1.5000	205-15	3147	1771	0.60
205		25	52	17	34.8	17.4	44.3	13.5	4.3	38.1	205			0.55
205-16	1										205-16			0.53
HC206-18	1-1/8										A206-18			0.92
206		30	2.4409	0.7480	1.4331	0.7165	1.9016	0.6260	0.1969	1.7520	206	4383	2517	0.90
206-19	1-3/16		62	19	36.4	18.2	48.3	15.9	5.0	44.5	206-19			0.88
206-20	1-1/4										206-20			0.84
HC207-20	1-1/4										A207-20			1.46
207-21	1-5/16										207-21	5777	3416	1.43
207-22	1-3/8		2.8346	0.7874	1.4803	0.7402	2.0118	0.6890	0.2283	2.1890	207-22			1.34
207		35	72	20	37.6	18.8	51.1	17.5	5.8	55.6	207			1.32
207-23	1-7/16										207-23			1.28
HC208-24	1-1/2										A208-24			1.78
208-25	1-9/16		3.1496	0.8268	1.6850	0.8425	2.2165	0.7205	0.2480	2.3740	208-25	6654	4091	1.74
208		40	80	21	42.8	21.4	56.3	18.3	6.3	60.3	208			1.72
HC209-26	1-5/8										A209-26			2.06
209-27	1-11/16		3.3465	0.8661	1.6850	0.8425	2.2165	0.7205	0.2677	2.5000	209-27	7159	4675	2.01
209-28	1-3/4		85	22	42.8	21.4	56.3	18.3	6.8	63.5	209-28			1.92
209		45									209			1.87
HC210-30	1-7/8										A210-30			2.48
210-31	1-15/16		3.5433	0.9055	1.9370	0.9685	2.4685	0.7205	0.2559	2.7520	210-31	7890	5215	2.42
210		50	90	23	49.2	24.6	62.7	18.3	6.5	69.9	210			2.29
HC211-32	2										A211-32			3.31
211-34	2-1/8		3.9370	0.9843	2.1811	1.0906	2.8071	0.8150	0.2835	3.0000	211-34	9790	6564	3.17
211		55	100	25	55.4	27.7	71.3	20.7	7.2	76.2	211			3.06
211-35	2-3/16										211-35			2.97
HC212-36	2-1/4										A212-36			4.27
212		60	4.3307	1.0630	2.4331	1.2165	3.0591	0.8780	0.3228	3.3150	212	10745	7373	4.11
212-38	2-3/8		110	27	61.8	30.9	77.7	22.3	8.2	84.2	212-38			4.07
212-39	2-7/16										212-39			3.87
HC213-40	2-1/2										A213-40			5.40
213		65	4.7244	1.1024	2.685	1.3425	3.3740	0.9252	0.3150	3.3858	213	12858	8992	5.30
213			120	28	68.2	34.1	85.7	23.5	8.0	86.0				5.40
HC214-44	2-3/4										A214-44			5.66
214		70	4.9213	1.1811	2.685	1.3425	3.3740	0.9252	0.3543	3.8110	214	13668	10116	5.65
214			125	30	68.2	34.1	85.7	23.5	9.0	96.8				5.65
HC215-48	3										A215			6.13
215		75	5.1181	1.1811	2.937	1.4685	3.6260	0.9409	0.3543	4.0160	215-48	14836	11127	6.03
215			130	30	74.6	37.3	92.1	23.9	9.0	102.0				6.03
HC216											A216			6.86
216		80	5.5118	1.2992	2.937	1.4685	3.7480	1.0630	0.4055	4.3307	216	16073	12184	6.86
216			140	33	74.6	37.3	95.2	27.0	11.0	119.0				6.86
HC217											A217			7.44
217-52	3-1/4		5.9055	1.3780	2.0945	1.6875	4.06	1.0630	0.4331	4.6850	217-52	18703	14342	7.44
217-52			150	35	53.2	43	103.2	27.0	11.0	119.0				7.92
HC218-56	3-1/2										A218-56			9.79
218		90	6.2992	1.4567	2.1654	1.75	4.42	0.9449	0.4724	4.7244	218	21558	16073	10.03
218			160	37	55.0	44	112.5	24.0	12.0	120.0				10.03

