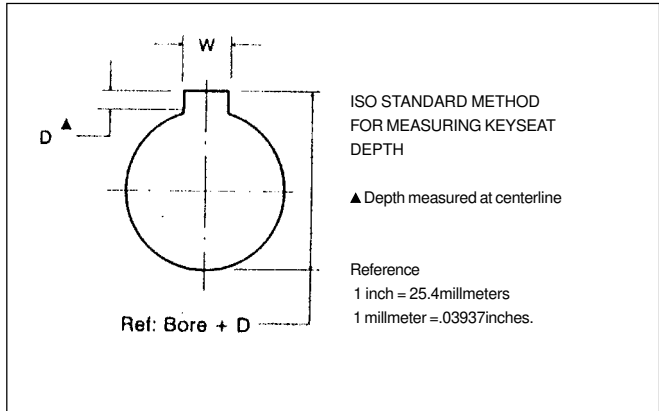
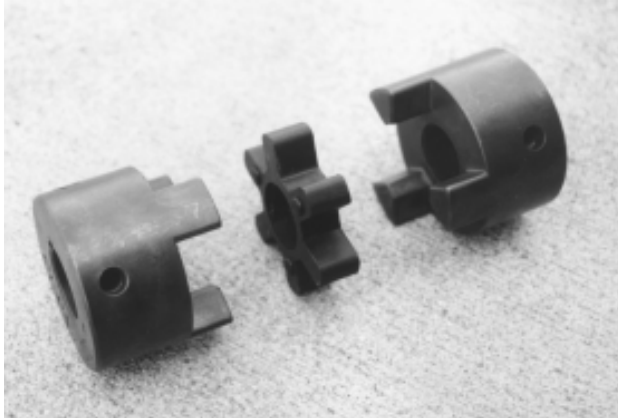




COUPLING

Jaw-Coupling



Stock Bores	Keyseat	L035	L050	L070	L075	L090	L095	L099	L100	L110	L150	L190	L225
1/8	No Kw.	X	-	-	-	-	-	-	-	-	-	-	-
3/16	No Kw.	X	-	-	-	-	-	-	-	-	-	-	-
1/4	No Kw./No.SS	-	X	X	X	X	-	-	-	-	-	-	-
1/4	No Kw.	X	X	X	X	X	-	-	-	-	-	-	-
1/4	1/8 X 1/16	-	-	-	X	-	-	-	-	-	-	-	-
5/16	No Kw.	X	X	X	X	X	-	-	-	-	-	-	-
3/8*	No Kw.	X	X	X	X	X	-	-	-	-	-	-	-
3/8*	3/32 X 3/64	-	-	-	X	X	-	-	-	-	-	-	-
3/8*	1/8 X 1/16	-	-	-	X	X	-	-	-	-	-	-	-
7/16	No Kw./No.SS	-	-	-	-	-	X	-	-	-	-	-	-
7/16	No Kw.	-	-	X	X	X	X	X	X	-	-	-	-
7/16	3/32 X 3/64	-	-	-	X	X	X	X	X	-	-	-	-
7/16	1/8 X 1/16	-	-	-	X	X	X	X	X	-	-	-	-
1/2	No Kw./No.SS	-	-	-	-	-	X	X	X	-	-	-	-
1/2	No Kw.	-	X	X	X	X	X	X	X	-	-	-	-
1/2	1/8 X 1/16	-	X	X	X	X	X	X	X	-	-	-	-
9/16	No Kw.	-	X	-	X	X	X	X	X	-	-	-	-
9/16	1/8 X 1/16	-	X	X	X	X	X	X	X	-	-	-	-
5/8	No Kw./No.SS	-	-	-	-	-	-	-	X	X	X	X	X
5/8	No Kw.	-	X	-	-	-	-	-	-	X	X	-	-
5/8	5/32 X 5/64	-	-	-	X	X	X	X	X	X	X	-	-
5/8	3/16 X 3/32	-	-	X	X	X	X	X	X	X	X	-	-
11/16	3/16 X 3/32	-	-	X	X	X	X	X	X	X	X	-	-
3/4	No Kw.	-	-	-	-	-	-	-	-	-	-	X	X
3/4	1/8 X 1/16	-	-	-	X	X	X	X	X	X	X	X	-
3/4	3/16 X 3/32	-	-	X	X	X	X	X	X	X	X	X	X
13/16	3/16 X 3/32	-	-	-	X	X	X	X	X	X	X	X	X
7/8	3/16 X 3/32	-	-	-	X	X	X	X	X	X	X	X	X
7/8	1/4 X 1/8	-	-	-	-	X	X	X	X	X	X	X	X
15/16	1/4 X 1/8	-	-	-	-	-	X	X	X	X	X	X	X
1	3/16 X 3/32	-	-	-	-	X	X	X	X	X	X	X	X
1	1/4 X 1/8	-	-	-	-	X	X	X	X	X	X	X	X
1 1/16	1/4 X 1/8	-	-	-	-	-	X	X	X	X	X	X	X
1 1/8	1/4 X 1/8	-	-	-	-	-	X	X	X	X	X	X	X
1 3/16	1/4 X 1/8	-	-	-	-	-	-	X	X	X	X	X	X
1 1/4	1/4 X 1/8	-	-	-	-	-	-	-	X	X	X	X	X
1 1/4	5/16 X 5/32	-	-	-	-	-	-	-	X	X	X	X	X
1 5/16	5/16 X 5/32	-	-	-	-	-	-	-	X	X	X	X	-
1 3/8	5/16 X 5/32	-	-	-	-	-	-	-	X	X	X	X	X
1 3/8	3/8 X 3/16	-	-	-	-	-	-	-	-	X	X	X	X
1 7/16	3/8 X 3/16	-	-	-	-	-	-	-	X	X	X	X	X
1 1/2	5/16 X 5/32	-	-	-	-	-	-	-	-	X	X	X	X
1 1/2	3/8 X 3/16	-	-	-	-	-	-	-	-	X	X	X	X
1 9/16	3/8 X 3/16	-	-	-	-	-	-	-	-	X	X	-	-
1 5/8	3/8 X 3/16	-	-	-	-	-	-	-	-	X	X	X	X
1 11/16	3/8 X 3/16	-	-	-	-	-	-	-	-	-	X	X	X
1 3/4	3/8 X 3/16	-	-	-	-	-	-	-	-	-	X	X	X
1 3/4	7/16 X 7/32	-	-	-	-	-	-	-	-	-	X	X	X
1 13/16	1/2 X 1/4	-	-	-	-	-	-	-	-	-	-	X	X
1 7/8	1/2 X 1/4	-	-	-	-	-	-	-	-	-	X	X	X
1 15/16	1/2 X 1/4	-	-	-	-	-	-	-	-	-	-	X	X
2	1/2 X 1/4	-	-	-	-	-	-	-	-	-	-	X	X
2 1/16	1/2 X 1/4	-	-	-	-	-	-	-	-	-	-	X	-
2 1/8	1/2 X 1/4	-	-	-	-	-	-	-	-	-	-	X	X
2 3/16	1/2 X 1/4	-	-	-	-	-	-	-	-	-	-	-	X
2 1/4	1/2 X 1/4	-	-	-	-	-	-	-	-	-	-	-	X
2 3/8	5/8 X 5/16	-	-	-	-	-	-	-	-	-	-	-	X

