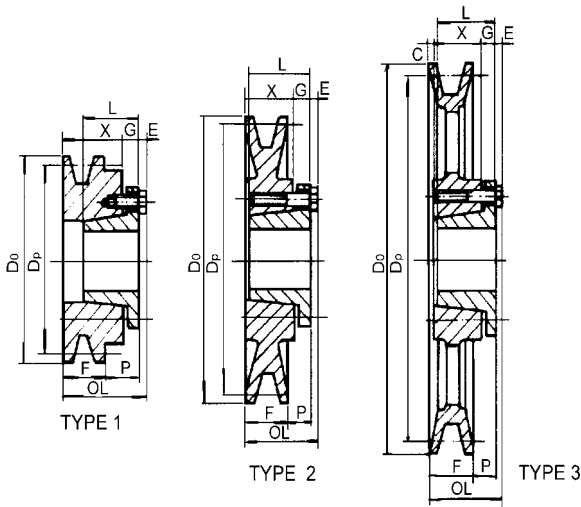




USA
Bearings & Belts
"We get things moving!"

S H E A V E

Light Duty QD Sheaves



Single Groove
Sheaves for
"4L" "5L" "A" &
"B" Belts



For All Sheaves:

F = 3/4
L = 1 1/4
G = 7/16
E = 3/16

Stock H Bushings

Stock Bores	Keyseat
3/8"	None
7/16	None
1/2	1/8" x 1/16"
9/16	1/8 x 1/16
5/8	3/16 x 3/32
11/16	3/16 x 3/32
3/4	3/16 x 3/32
13/16	3/16 x 3/32
7/8	3/16 x 3/32
15/16	1/4 x 1/8
1	1/4 x 1/8
1 1/16	1/4 x 1/8
1 1/8	1/4 x 1/8
1 3/16	1/4 x 1/8
1 1/4	1/4 x 1/8
1 5/16	5/16 x 1/16*
1 3/8	5/16 x 1/16*
1 7/16	3/8 x 1/16*
1 1/2	3/8 x 1/16*

*Indicates shallow keyseat-
keystock is supplied with bushing

Part No.	Diameters(in.)			Type	Dimensions(in.)			
	D ₀	D _p			O.L.	P	C	X
		"4L+A"	"5L+B"					
BK30H	3.15	2.40	2.80	1	1 ¹⁵ / ₁₆	7/8	-	15/16
BK32H	3.35	2.60	3.00	1	1 ¹⁵ / ₁₆	7/8	-	15/16
BK34H	3.55	2.80	3.20	1	1 ¹⁵ / ₁₆	7/8	-	15/16
BK36H	3.75	3.00	3.40	2	1 1/2	7/16	-	7/8
BK40H	3.95	3.20	3.60	2	1 1/2	7/16	-	7/8
BK45H	4.25	3.50	3.90	2	1 1/2	7/16	-	7/8
BK47H	4.45	3.70	4.10	2	1 1/2	7/16	-	7/8
BK50H	4.75	4.00	4.40	2	1 1/2	7/16	-	7/8
BK52H	4.95	4.20	4.60	2	1 1/2	7/16	-	7/8
BK55H	5.25	4.50	4.90	2	1 1/2	7/16	-	7/8
BK57H	5.45	4.70	5.10	2	1 1/2	7/16	-	7/8
BK60H	5.75	5.00	5.40	2	1 1/2	7/16	-	7/8
BK62H	5.95	5.20	5.60	2	1 1/2	7/16	-	7/8
BK65H	6.25	5.50	5.90	2	1 1/2	7/16	-	7/8
BK67H	6.45	5.70	6.10	2	1 1/2	7/16	-	7/8
BK70H	6.75	6.00	6.40	3	1 ⁹ / ₁₆	1/2	1/16	7/8
BK72H	6.95	6.20	6.60	3	1 ⁹ / ₁₆	1/2	1/16	7/8
BK75H	7.25	6.50	6.90	3	1 ⁹ / ₁₆	1/2	1/16	7/8
BK77H	7.45	6.70	7.10	3	1 ⁹ / ₁₆	1/2	1/16	7/8
BK80H	7.75	7.00	7.40	3	1 ⁹ / ₁₆	1/2	1/16	7/8
BK85H	8.25	7.50	7.90	3	1 ⁹ / ₁₆	1/2	1/16	7/8
BK90H	8.75	8.00	8.40	3	1 ⁹ / ₁₆	1/2	1/16	7/8
BK95H	9.25	8.50	8.90	3	1 ⁹ / ₁₆	1/2	1/16	7/8
BK100H	9.75	9.00	9.40	3	1 ⁹ / ₁₆	1/2	1/16	7/8
BK105H	10.25	9.50	9.90	3	1 ⁹ / ₁₆	1/2	1/16	7/8
BK110H	10.75	10.00	10.40	3	1 ⁹ / ₁₆	1/2	1/16	7/8
BK115H	11.25	10.50	10.90	3	1 ⁹ / ₁₆	1/2	1/16	7/8
BK120H	11.75	11.00	11.40	3	1 ⁹ / ₁₆	1/2	1/16	7/8
BK130H	12.75	12.00	12.40	3	1 ⁹ / ₁₆	1/2	1/16	7/8
BK140H	13.75	13.00	13.40	3	1 ⁹ / ₁₆	1/2	1/16	7/8
BK150H	14.75	14.00	14.40	3	1 ⁹ / ₁₆	1/2	1/16	7/8
BK160H	15.75	15.00	15.40	3	1 ⁹ / ₁₆	1/2	1/16	7/8
BK190H	18.75	18.00	18.40	3	1 ⁹ / ₁₆	1/2	1/16	7/8

Millimeter Bores

Stock Bores	Keyseat
10mm	None
11mm	None
14mm	5mm x 5mm
15mm	5mm x 5mm
16mm	5mm x 5mm
18mm	6mm x 6mm
19mm	6mm x 6mm
20mm	6mm x 6mm
22mm	6mm x 6mm
24mm	8mm x 7mm
25mm	8mm x 7mm
28mm	8mm x 7mm
30mm	8mm x 7mm
32mm	10mm x 7mm
35mm	10mm x 7mm
38mm	10mm x 7mm

BKH sheaves are precision machined from gray cast iron, statically balanced painted with baked enamel finish and individually packaged.