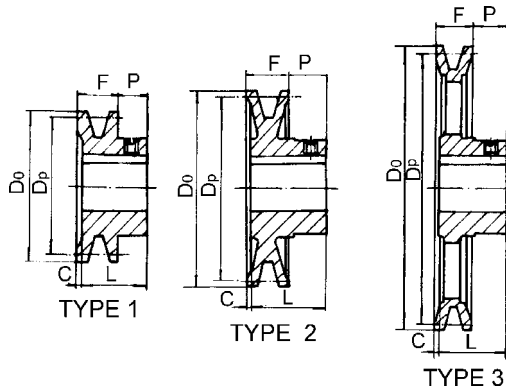




S H E A V E

Light Duty Bored-To-Size Sheaves



Single Groove Sheaves for
"4L" "5L" & "B" Belts



Part No.	Diameters(in.)			Type	Dimensions(in.)				Stock Bores(in.)	List Price
	D ₀	D _p			F	L	P	C		
		"4L"	"5L+B"							
BK24	2.40	1.80	2.20	1	13/16	11/16	13/32	5/32	1/2, 5/8, 3/4	10.80
BK25	2.50	1.90	2.30	1	13/16	11/16	13/32	5/32	1/2, 5/8, 3/4, 7/8, 1	11.16
BK26	2.60	2.00	2.40	1	13/16	11/16	13/32	5/32	1/2, 5/8, 3/4, 7/8	12.05
BK27	2.70	2.10	2.50	2	13/16	11/16	13/32	5/32	1/2, 5/8, 3/4, 7/8, 1	12.86
BK28	2.95	2.20	2.60	2	13/16	11/16	13/32	5/32	1/2, 5/8, 3/4, 7/8, 1, 1 1/8	13.75
BK30	3.15	2.40	2.80	2	13/16	11/16	13/32	5/32	1/2, 5/8, 3/4, 7/8, 1	15.09
BK32	3.35	2.60	3.00	2	13/16	11/16	13/32	5/32	1/2, 5/8, 3/4, 7/8	16.43
BK34	3.55	2.80	3.20	2	7/8	15/32	13/32	1/8	1/2, 5/8, 3/4, 7/8, 1, 1 1/8	17.32
BK36	3.75	3.00	3.40	2	7/8	15/32	13/32	1/8	1/2, 5/8, 3/4, 7/8, 1, 1 1/8	18.13
BK40	3.95	3.20	3.60	2	7/8	15/32	13/32	1/8	1/2, 5/8, 3/4, 7/8, 1, 1 1/8	19.46
BK45	4.25	3.50	3.90	2	7/8	15/32	13/32	1/8	1/2, 5/8, 3/4, 7/8, 1, 1 1/8	21.25
BK47	4.45	3.70	4.10	2	7/8	15/32	13/32	1/8	1/2, 5/8, 3/4, 7/8, 1, 1 1/8	22.59
BK50	4.75	4.00	4.40	3	7/8	15/32	13/32	1/8	1/2, 5/8, 3/4, 7/8, 15/16, 1, 1 1/8	24.38
BK52	4.95	4.20	4.60	3	7/8	15/32	13/32	1/8	1/2, 5/8, 3/4, 7/8, 1, 1 1/8	25.00
BK55	5.25	4.50	4.90	3	7/8	15/32	13/32	1/8	1/2, 5/8, 3/4, 7/8, 1, 1 1/8, 13/16	26.07
BK57	5.45	4.70	5.10	3	7/8	15/32	13/32	1/8	5/8, 3/4, 7/8, 15/16, 1, 1 1/8	26.96
BK60	5.75	5.00	5.40	3	7/8	15/32	13/32	1/8	1/2, 5/8, 3/4, 7/8, 1, 1 1/8, 13/16	28.30
BK62	5.95	5.20	5.60	3	7/8	15/32	13/32	1/8	1/2, 5/8, 3/4, 7/8, 15/16, 1, 1 1/8, 13/16	29.11
BK65	6.25	5.50	5.90	3	7/8	15/32	13/32	1/8	5/8, 3/4, 1, 1 1/8	30.45
BK67	6.45	5.70	6.10	3	7/8	15/32	13/32	1/8	5/8, 3/4, 1, 1 1/8	31.88
BK70	6.75	6.00	6.40	3	7/8	115/32	21/32	1/16	5/8, 3/4, 15/16, 1, 1 1/8, 13/16, 17/16	35.98
BK72	6.95	6.20	6.60	3	7/8	115/32	21/32	1/16	3/4, 1, 1 1/8, 13/8	36.88
BK75	7.25	6.50	6.90	3	7/8	115/32	21/32	1/16	3/4, 1, 1 1/8, 13/8	38.57
BK77	7.45	6.70	7.10	3	7/8	115/32	21/32	1/16	3/4, 1, 1 1/8, 13/8	39.82
BK80	7.75	7.00	7.40	3	7/8	115/32	21/32	1/16	5/8, 3/4, 7/8, 1, 1 1/8, 13/16, 1 1/4, 13/8, 17/16	41.96
BK85	8.25	7.50	7.90	3	7/8	115/32	21/32	1/16	3/4, 1, 1 1/8, 13/8, 17/16	50.00
BK90	8.75	8.00	8.40	3	7/8	115/32	21/32	1/16	3/4, 7/8, 15/16, 1, 1 1/8, 13/16, 13/8, 17/16	52.05
BK95	9.25	8.50	8.90	3	7/8	115/32	21/32	1/16	3/4, 1, 1 1/8, 13/8, 17/16	54.64
BK100	9.75	9.00	9.40	3	7/8	115/32	21/32	1/16	3/4, 7/8, 15/16, 1, 1 1/8, 13/16, 1 1/4, 13/8, 17/16	57.86
BK105	10.25	9.50	9.90	3	7/8	115/32	21/32	1/16	1, 13/8, 17/16	60.54
BK110	10.75	10.00	10.40	3	7/8	115/32	21/32	1/16	3/4, 1, 1 1/8, 13/16, 13/8, 17/16	59.89
BK115	11.25	10.50	10.90	3	7/8	115/32	21/32	1/16	1, 13/8, 17/16	63.70
BL120	11.75	11.00	11.40	3	7/8	115/32	21/32	1/16	3/4, 1, 13/16, 1 1/4, 13/8, 17/16	68.12
BK130	12.75	12.00	12.40	3	7/8	115/32	21/32	1/16	3/4, 1, 1 1/8, 13/16, 1 1/4, 17/16	74.73
BK140	13.75	13.00	13.40	3	7/8	115/32	21/32	1/16	3/4, 1, 13/16, 17/16	85.24
BK160	15.75	15.00	15.40	3	7/8	115/32	21/32	1/16	1, 1 1/8, 13/16, 1 1/4, 17/16	99.75
BK190	18.75	18.00	18.40	3	7/8	115/32	21/32	1/16	1, 13/16, 1 1/4, 17/16	120.70

Standard Keyseats	
Bore-Range	Keyseat
1/2	None
5/8 - 7/8	3/16 X 3/32
15/16 - 1 1/4	1/4 X 1/8
1 7/16	3/8 X 3/16

BK sheaves are precision machined from gray cast iron, statically balanced painted with baked enamel finish and individually packaged. Sheaves are furnished with standard keyways & set screws.