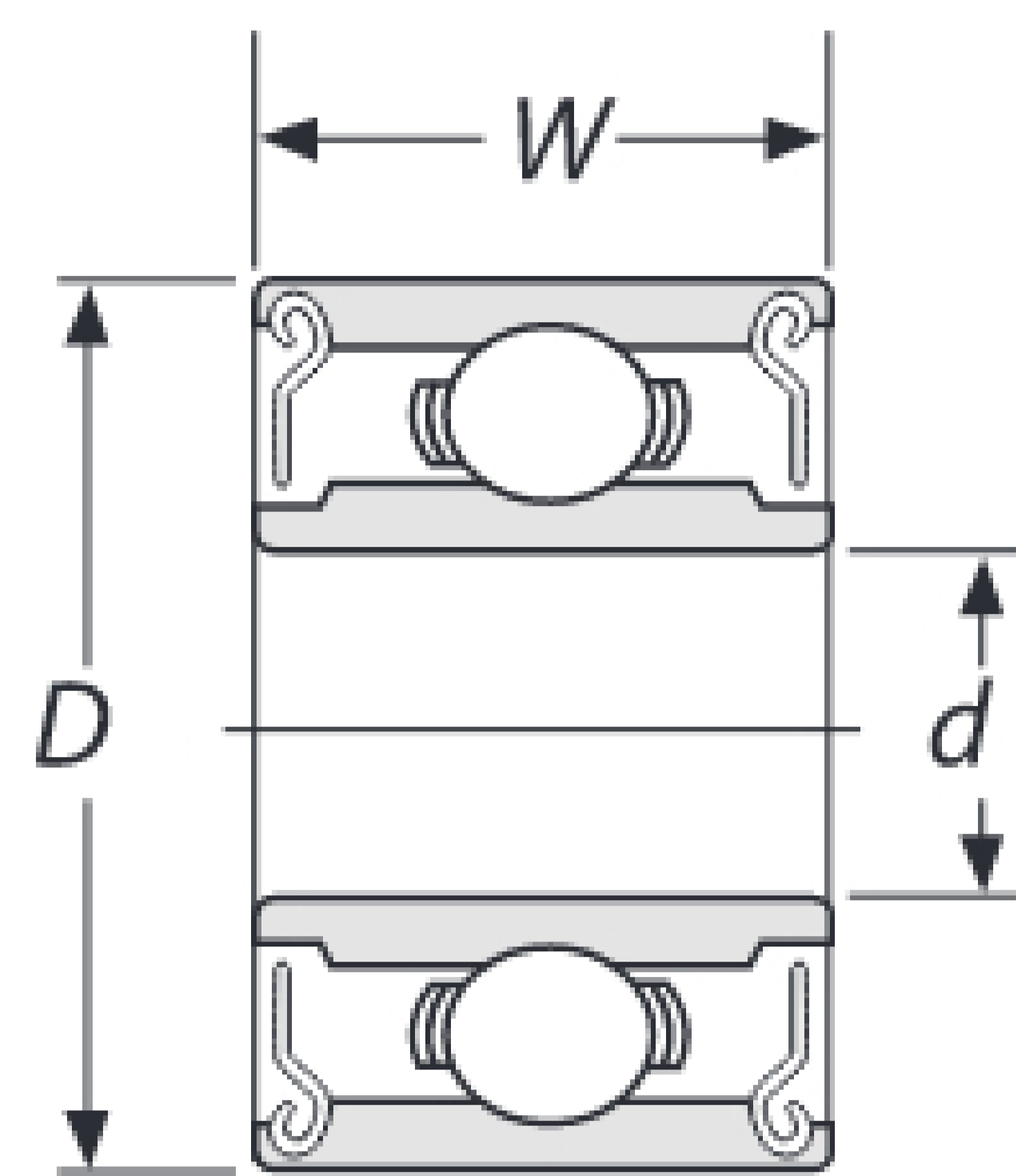
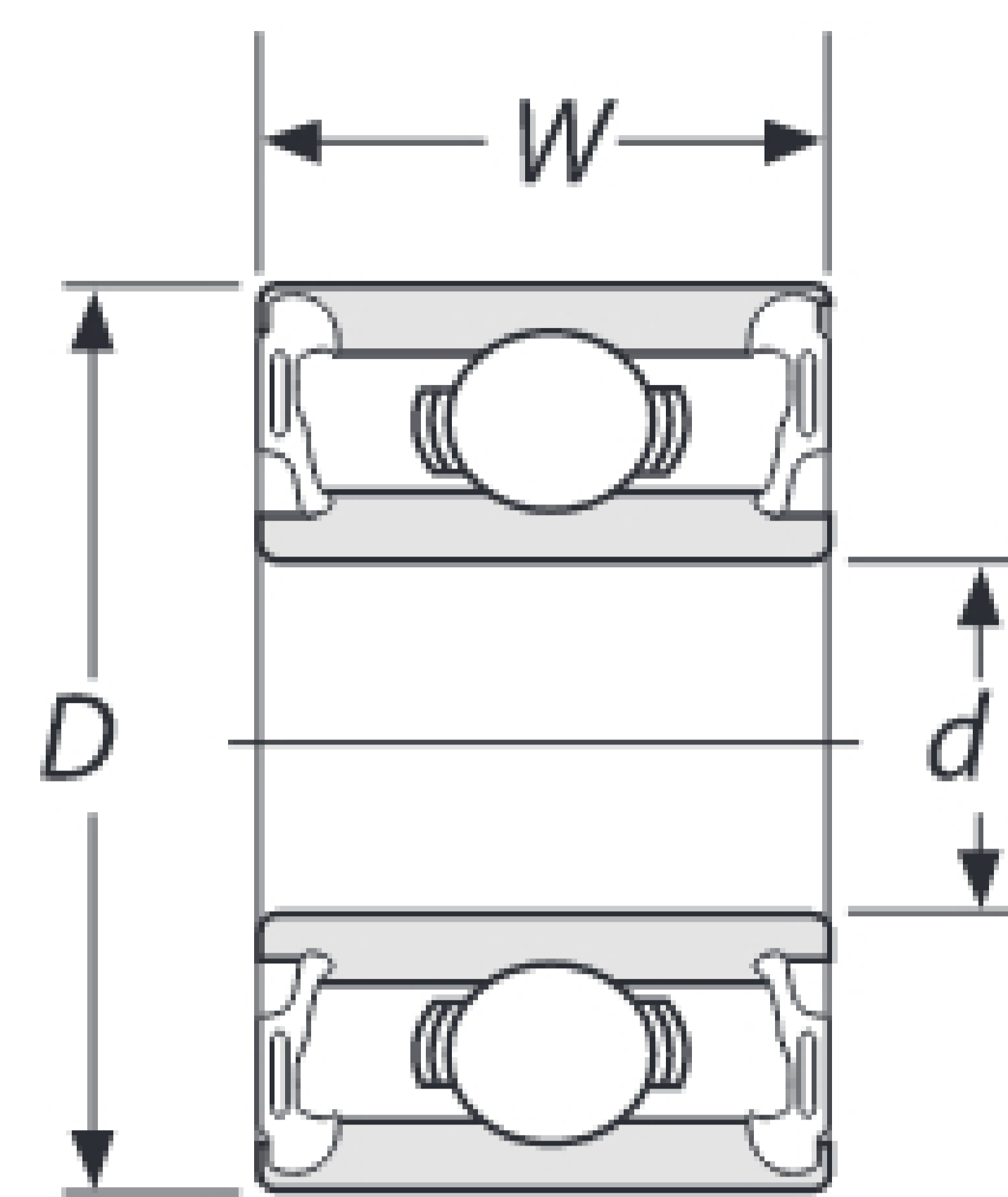


RADIAL BALL BEARINGS

6200 SERIES



ZZ



2RS



Bore mm d	OD mm D	Width mm W	Bearing Number	Basic Load Rating		Speed Rating		Weight (lb)
				Pounds		Grease RPM	Oil RPM	
				Dynamic	Static			
10	30	9	6200	1150	540	24000	30000	0.07
12	32	10	6201	1530	690	22000	26000	0.08
15	35	11	6202	1740	805	19000	23000	0.10
17	40	12	6203	2150	1080	12000	20000	0.15
20	47	14	6204	2880	1490	11000	18000	0.24
25	52	15	6205	3150	1770	10500	15000	0.28
30	62	16	6206	4390	2540	10000	13000	0.44
35	72	17	6207	5800	3400	9800	11000	0.63
40	80	18	6208	6500	4000	8700	10000	0.80
45	85	19	6209	7300	4600	7800	9200	0.88
50	90	20	6210	7870	5200	7100	8300	1.02
55	100	21	6211	9750	6500	6400	7600	1.34
60	110	22	6212	11800	8150	6000	7000	1.70
65	120	23	6213	12900	9000	5400	6500	2.22
70	125	24	6214	14000	9900	5100	6000	2.41
75	130	25	6215	14900	11100	4800	5600	2.59
80	140	26	6216	16300	11900	4500	5300	3.13
85	150	28	6217	18700	14300	4200	5000	3.94
90	160	30	6218	21600	16100	3950	4750	4.74
95	170	32	6219	24500	18400	3600	4450	5.78
100	180	34	6220	27500	20900	3350	4200	6.90
105	190	36	6221	29900	23500	3050	3950	8.14
110	200	38	6222	32500	26300	2875	3700	9.61

* Also available with snap ring (NR suffix)