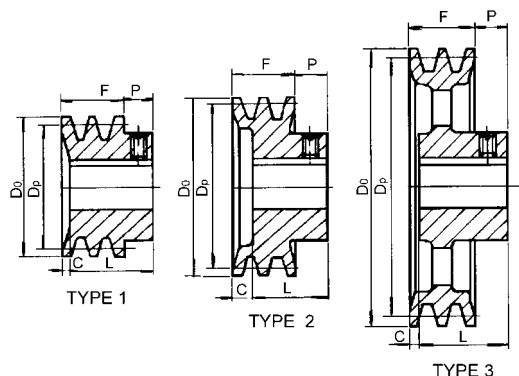




USA
Bearings & Belts
"We get things moving!"

S H E A V E

Light Duty Bored-To-Size Sheaves



Two Groove Sheaves for
"3L" "4L" & "A" Belts



Part No.	Diameters(in.)			Type	Dimensions(in.)				Stock Bores(in.)
	D ₀	D _p			F	L	P	C	
		"3L"	"4L+A"						
2AK20	2.00	1.46	1.80	1	13/8	1 ²¹ / ₃₂	15/32	3/16	1/2, 5/8, 3/4, 7/8
2AK21	2.15	1.56	1.90	1	13/8	1 ²¹ / ₃₂	15/32	3/16	1/2, 5/8, 3/4
2AK22	2.25	1.66	2.00	1	13/8	1 ²¹ / ₃₂	15/32	3/16	1/2, 5/8, 3/4, 7/8
2AK23	2.35	1.76	2.10	1	13/8	1 ²¹ / ₃₂	15/32	3/16	5/8, 3/4, 7/8, 1
2AK25	2.55	1.96	2.30	1	13/8	1 ²¹ / ₃₂	15/32	3/16	5/8, 3/4, 7/8, 1 1/8
2AK26	2.65	2.06	2.40	1	13/8	1 ²¹ / ₃₂	15/32	3/16	5/8, 3/4, 7/8, 1
2AK27	2.75	2.16	2.50	1	13/8	1 ²¹ / ₃₂	15/32	3/16	1/2, 5/8, 3/4, 7/8, 1
2AK28	2.85	2.26	2.60	1	13/8	1 ²¹ / ₃₂	15/32	3/16	5/8, 3/4, 7/8, 1
2AK30	3.05	2.46	2.80	1	13/8	1 ²¹ / ₃₂	15/32	3/16	1/2, 5/8, 3/4, 7/8, 1, 1 1/8
2AK32	3.25	2.66	3.00	1	13/8	1 ²¹ / ₃₂	15/32	3/16	5/8, 3/4, 7/8, 1, 1 1/8
2AK34	3.45	2.86	3.20	1	13/8	1 ²¹ / ₃₂	15/32	3/16	5/8, 3/4, 7/8, 1, 1 1/8
2AK39	3.75	3.16	3.50	2	13/8	1 ¹¹ / ₃₂	15/32	1/2	5/8, 3/4, 7/8, 1, 1 1/8
2AK41	3.95	3.36	3.70	2	13/8	1 ¹¹ / ₃₂	15/32	1/2	5/8, 3/4, 7/8, 1, 1 1/8
2AK44	4.25	3.66	4.00	2	13/8	1 ¹¹ / ₃₂	15/32	1/2	5/8, 3/4, 7/8, 1, 1 1/8
2AK46	4.45	3.86	4.20	2	13/8	1 ¹¹ / ₃₂	15/32	1/2	7/8, 1, 1 1/8
2AK49	4.75	4.16	4.50	2	13/8	1 ¹¹ / ₃₂	15/32	1/2	3/4, 7/8, 1, 1 1/8, 1 3/8
2AK51	4.95	4.36	4.70	2	13/8	1 ¹¹ / ₃₂	15/32	1/2	3/4, 7/8, 1, 1 1/8, 1 3/8
2AK54	5.25	4.66	5.00	3	13/8	1 ¹¹ / ₃₂	15/32	1/2	5/8, 3/4, 7/8, 1, 1 1/8, 1 3/8
2AK56	5.45	4.86	5.20	3	13/8	1 ¹¹ / ₃₂	15/32	1/2	5/8, 3/4, 7/8, 1, 1 1/8, 1 3/8
2AK59	5.75	5.16	5.50	3	13/8	1 ¹¹ / ₃₂	15/32	1/2	1, 1 1/8, 1 3/16
2AK61	5.95	5.36	5.70	3	13/8	1 ¹¹ / ₃₂	15/32	1/2	3/4, 7/8, 1, 1 1/8, 1 3/8
2AK64	6.25	5.66	6.00	3	13/8	1 ¹⁹ / ₃₂	11/32	1/8	3/4, 1, 1 1/8, 1 3/16, 1 3/8, 1 7/16
2AK74	7.25	6.66	7.00	3	13/8	1 ¹⁹ / ₃₂	11/32	1/8	3/4, 1, 1 1/8, 1 3/16, 1 3/8, 1 7/16
2AK84	8.25	7.66	8.00	3	13/8	1 ¹⁹ / ₃₂	11/32	1/8	3/4, 1 15/16, 1 1/8, 1 3/16, 1 3/8, 1 7/16
2AK94	9.25	8.66	9.00	3	13/8	1 ¹⁹ / ₃₂	11/32	1/8	3/4, 1, 1 1/8, 1 3/16, 1 3/8, 1 7/16
2AK104	10.25	9.66	10.00	3	13/8	1 ¹⁹ / ₃₂	11/32	1/8	3/4, 1 15/16, 1, 1 7/16
2AK114	11.25	10.66	11.00	3	13/8	1 ¹⁹ / ₃₂	11/32	1/8	3/4, 1, 1 3/16, 1 3/8, 1 7/16
2AK124	12.25	11.66	12.00	3	13/8	1 ¹⁹ / ₃₂	11/32	1/8	3/4, 1, 1 3/16, 1 7/16
2AK134	13.25	12.66	13.00	3	13/8	1 ¹⁹ / ₃₂	11/32	1/8	1 3/16, 1 7/16
2AK144	14.25	13.66	14.00	3	13/8	1 ¹⁹ / ₃₂	11/32	1/8	1, 1 7/16
2AK154	15.25	14.66	15.00	3	13/8	1 ¹⁹ / ₃₂	11/32	1/8	1 3/16, 1 7/16
2AK184	18.25	17.66	18.00	3	13/8	1 ¹⁹ / ₃₂	11/32	1/8	1 3/16, 1 7/16

Standard Keyseats	
Bore-Range	Keyseat
1/2	None
5/8 - 7/8	3/16 X 3/32
15/16 - 1 1/4	1/4 X 1/8
1 7/16	3/8 X 3/16

2AK sheaves are precision machined from gray cast iron, statically balanced painted with baked enamel finish and individually packaged.

Sheaves are furnished with standard keyways & set screws.