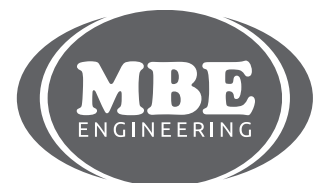


## **IMMOBILISER EMULATOR RENAULT CAN**

[www.mbkeyprog.com](http://www.mbkeyprog.com)

+48 517 443 433, +48 22 724 99 96  
info@mbkeyprog.com



# RENAULT CAN

## SUPPORTED MODELS

**SIRIUS 32 CAN**

**SIRIUS 34 CAN**

**3-socket DELPHI CAN - 95080 memory**

**3-socket BOSCH EDC15 CAN - 5P08C3 memory**

**EMS 3132 CAN**

**EMS 3134 CAN**

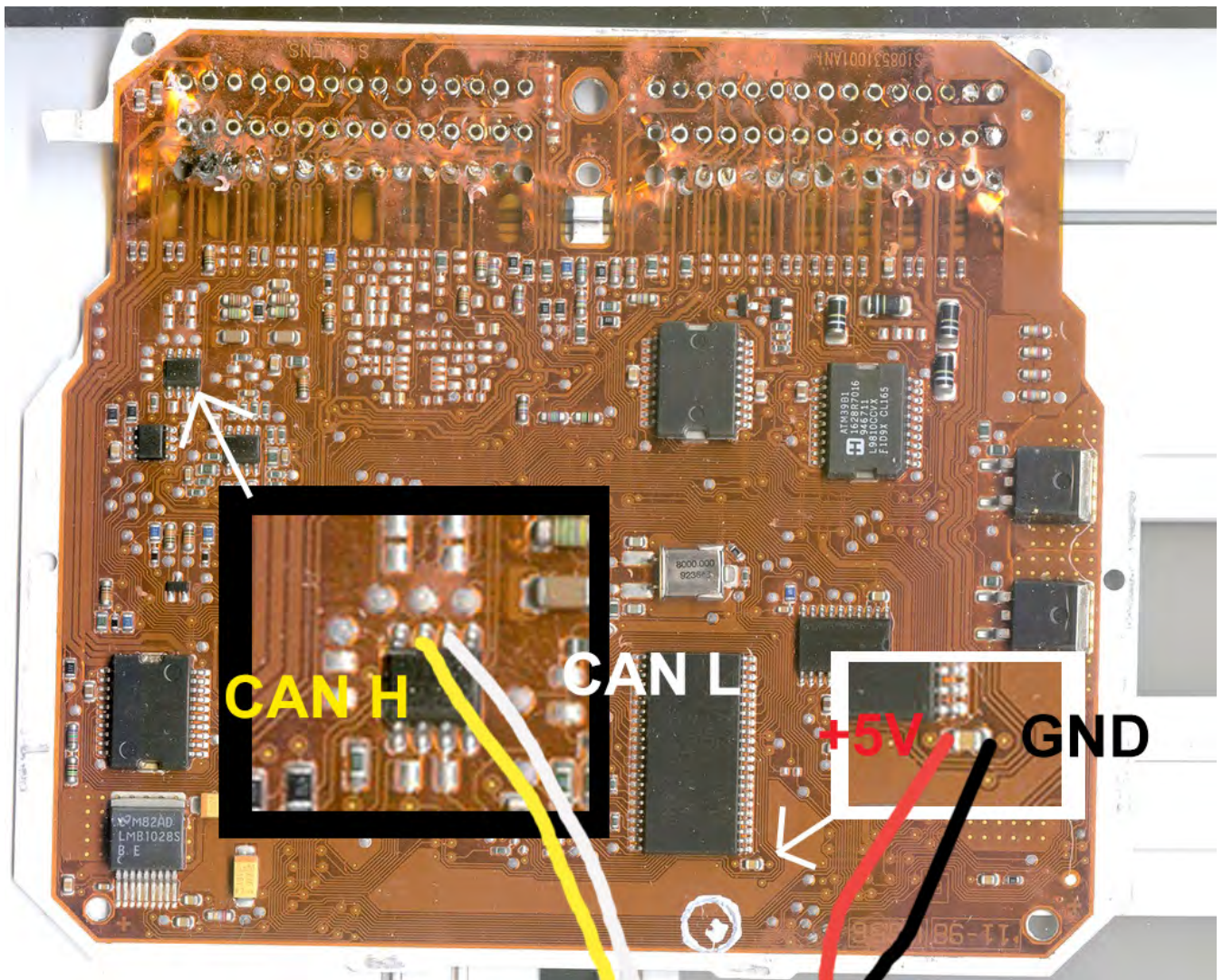
# RENAULT CAN

## SIRIUS 32 CAN

Find **29F200** or **29F400** memory

Change all **64 C7** or **54 D7** and **two values before them** to **FF FF FF FF**  
Between **4000** and **7FFF** addresses

**Connection to the ECU**

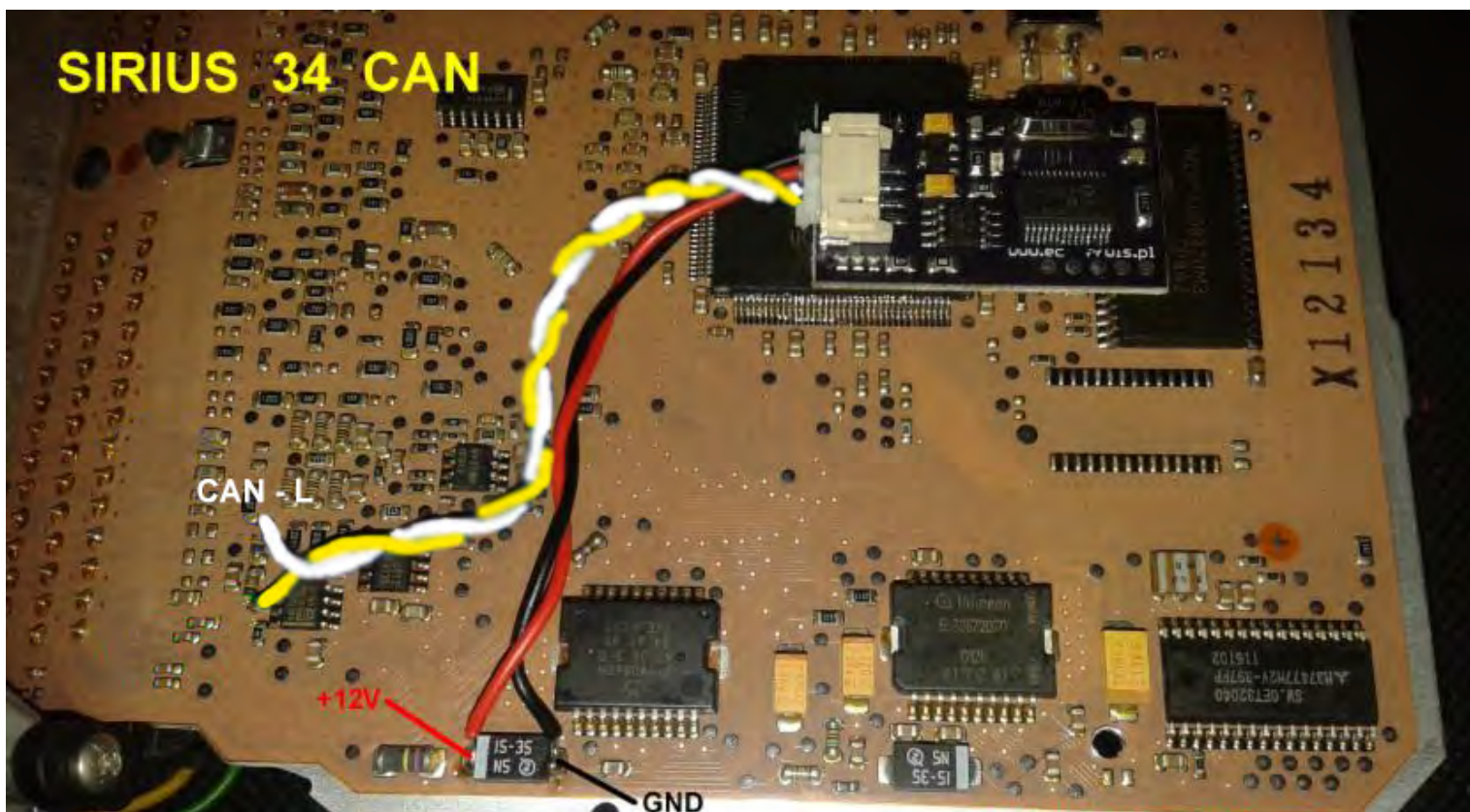


# RENAULT CAN

## SIRIUS 34 CAN

Find **29F200** or **29F400** memory  
Change **64 C7**, **54 D7** and **two values before them** to **FF FF FF FF**  
Between **4000** and **7FFF** addresses

**Connection to the ECU**



# RENAULT CAN

## 3-socket DELPHI CAN - 95080 memory

Find **95080** memory  
Write **00** values in addresses  
from **00** to **01F**

# RENAULT CAN

## 3-socket BOSCH EDC15 CAN - 5P08C3 memory

Find **5P08C3** memory  
Write **00 00** values in addresses  
from **1E7** to **1E8**  
and  
from **1EE** to **1EF**

### Connection of emulator to ECU

**+12V Acc PLUG B PIN M2**  
**GND PLUG B PIN I3/I4/M4**  
**CAN-H PLUG C PIN A1**  
CAN-L PLUG C PIN B1

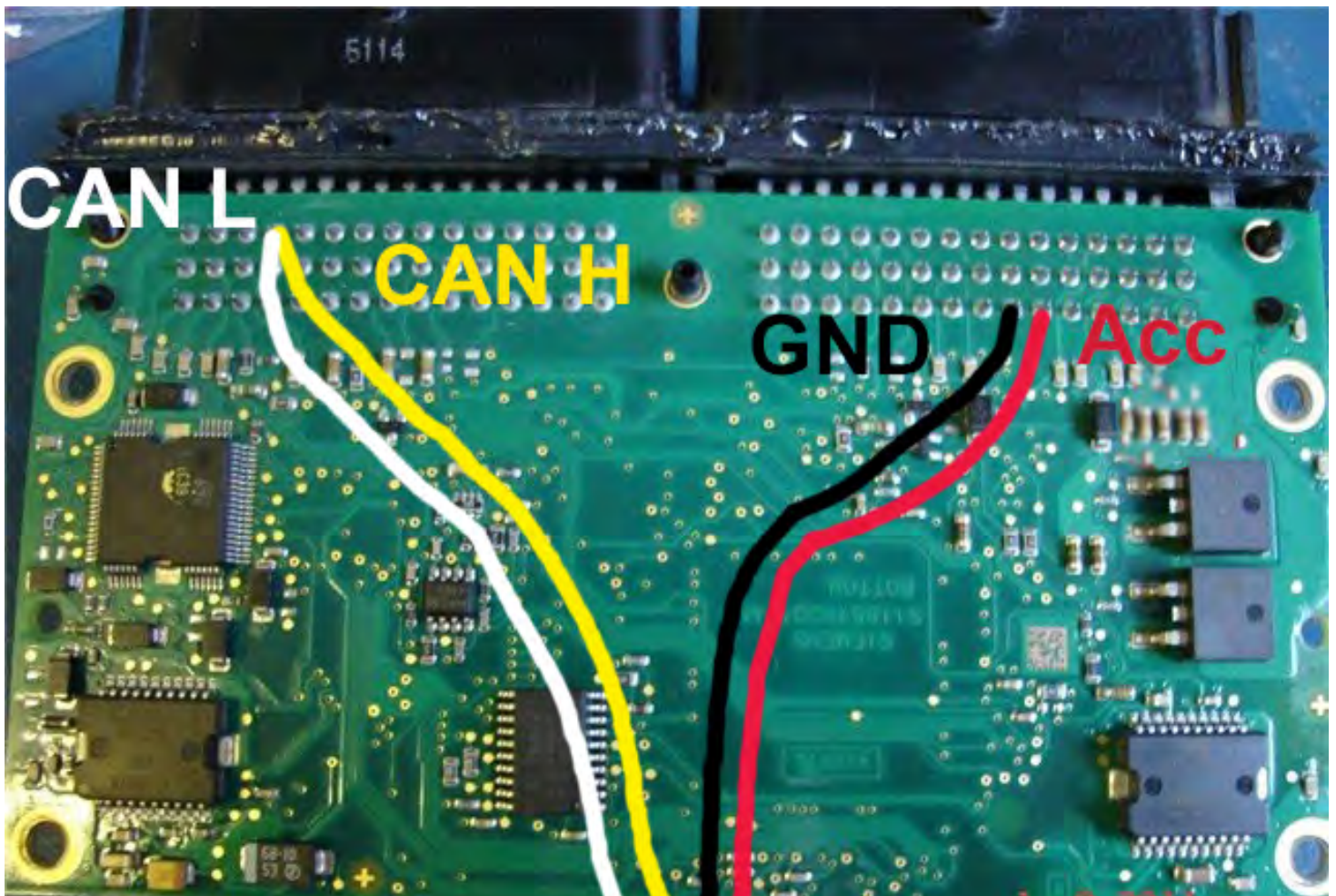
# RENAULT CAN

## EMS 3132 CAN

Find **29F200** memory

Change all **64 C7** or **54 D7** and **two values before them** to **FF FF FF FF**  
Between **4000** and **7FFF** addresses

**Connection to the ECU**



# RENAULT CAN

## EMS 3134 CAN

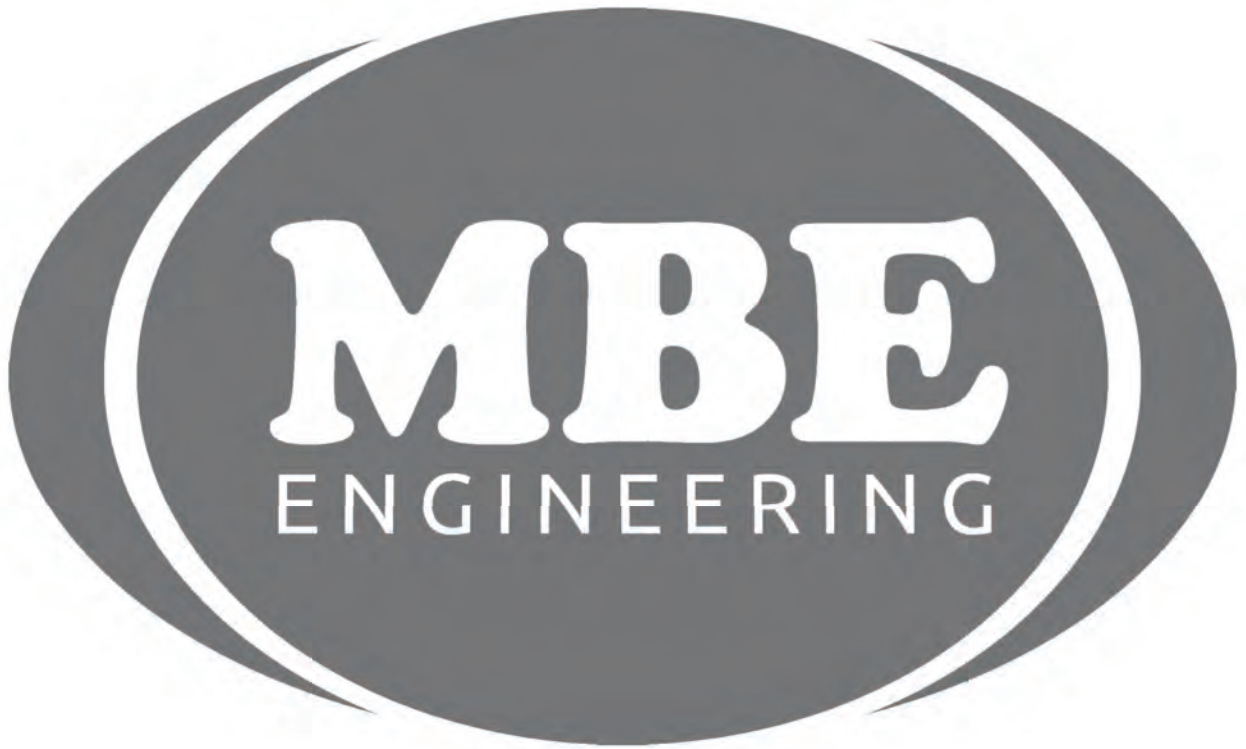
Find **29F400** memory

Change all **64 C7** or **54 D7** and **two values before them** to **FF FF FF FF** Between **4000** and **7FFF** addresses

**Connection to the ECU**







[www.mbkeyprog.com](http://www.mbkeyprog.com)

+48 517 443 433, +48 22 724 99 96  
info@mbkeyprog.com

