



# MadStad Robo Knob Brackets Adjustable Windshield Mount

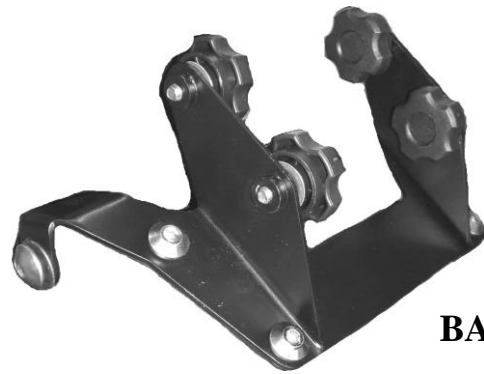
Yamaha FZ-09

*Please read this entire manual before proceeding with installation.*

What is in the box:

## **Quick-Release Base Kit:**

- (2) Base brackets
- (1) Stiffening plate
- (4) Knobs with washers



**BASE KIT**

**The Base Kit is required** for either the other two bracket options below. You may have purchased only one of these so the other may not be in your order:

## **Adjustable Brackets Kit:**

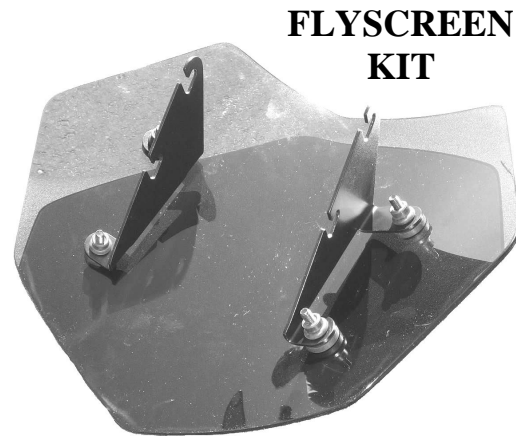
- (2) adjustable bracket assemblies
- (1) 7/8" Aluminum crossbar
- (2) M6 x 16 screws
- (2) M6 lock washers
- (2) M6 flat washers
- (4) M5 Phillips truss screws
- (4) M5 plastic flat washers
- (4) soft rubber washers



**ADJUSTABLE  
BRACKETS  
KIT**

## Flyscreen Kit:

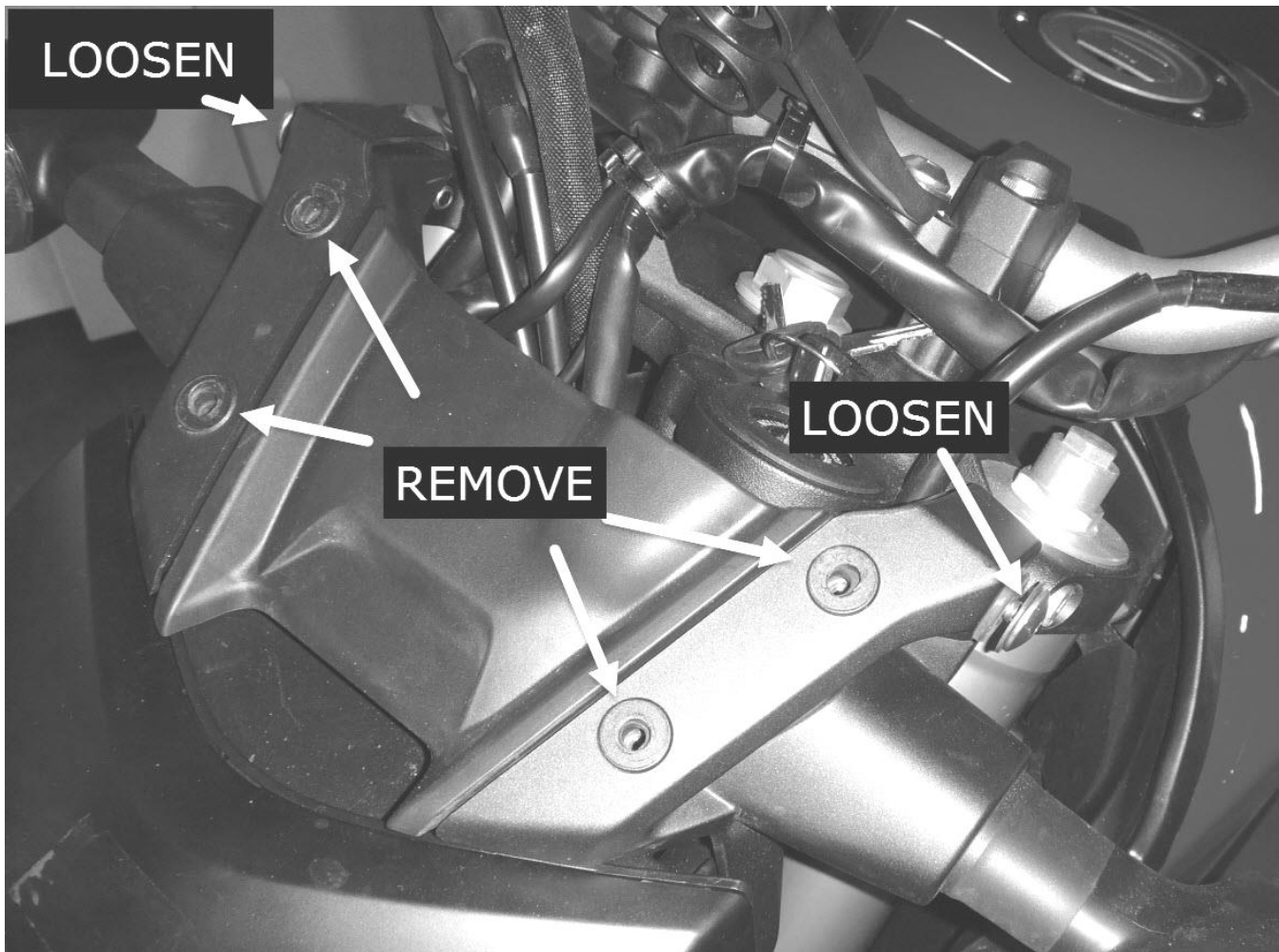
- (2) fly screen brackets (with well nuts)
- (1) Fly Screen
- (4) M5 Phillips screws
- (4) M5 plastic flat washers
- (4) soft rubber washers



---

## BASE KIT INSTALLATION

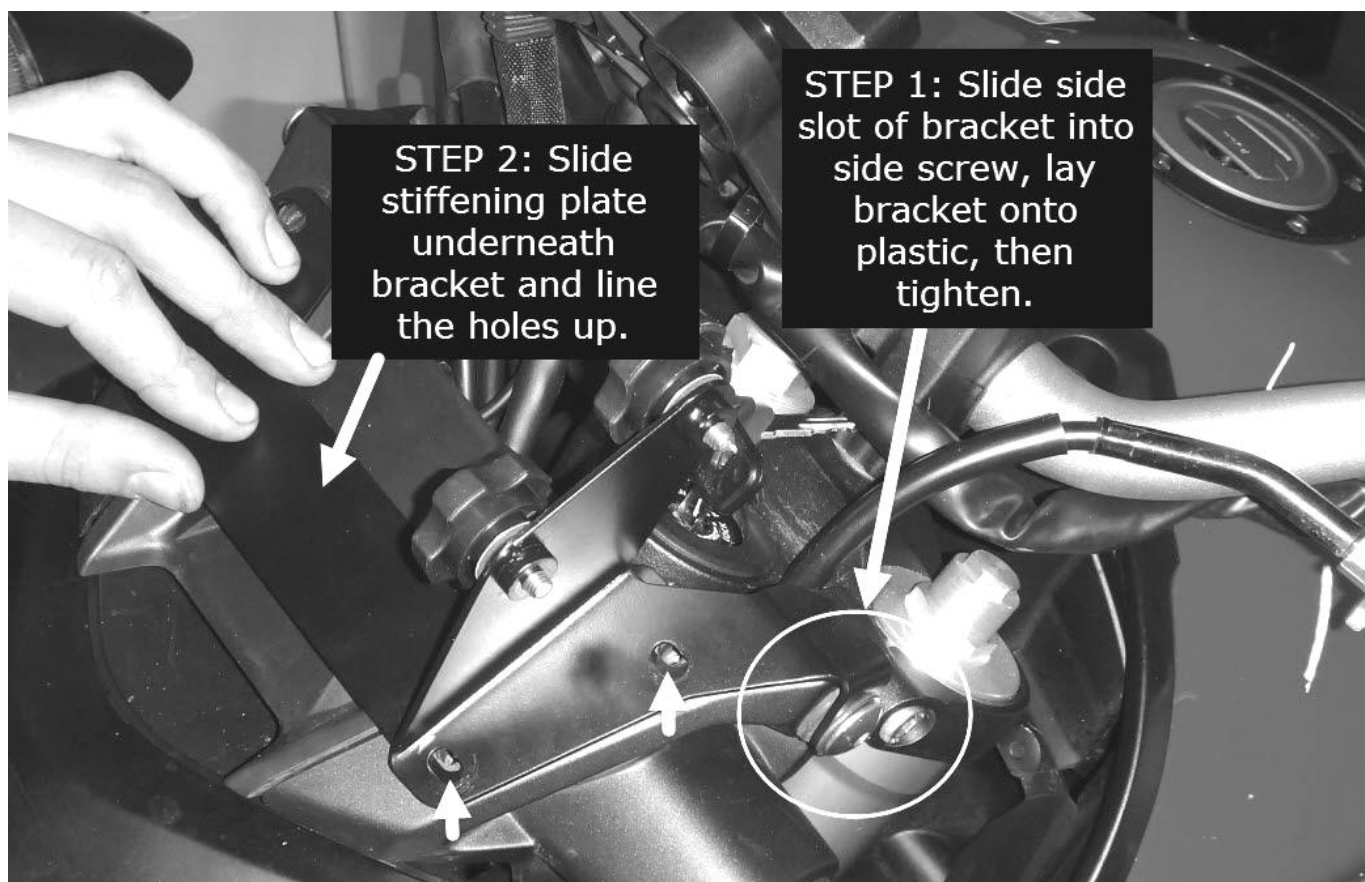
Everything attaches to the Quick-Release Base so let's get that installed first. It has a **6-point attachment** which are the four very visible screws on the front of the bike above the headlight, and the two screws that sit sideways at the front of the top triple clamp. This is shown in the image below.



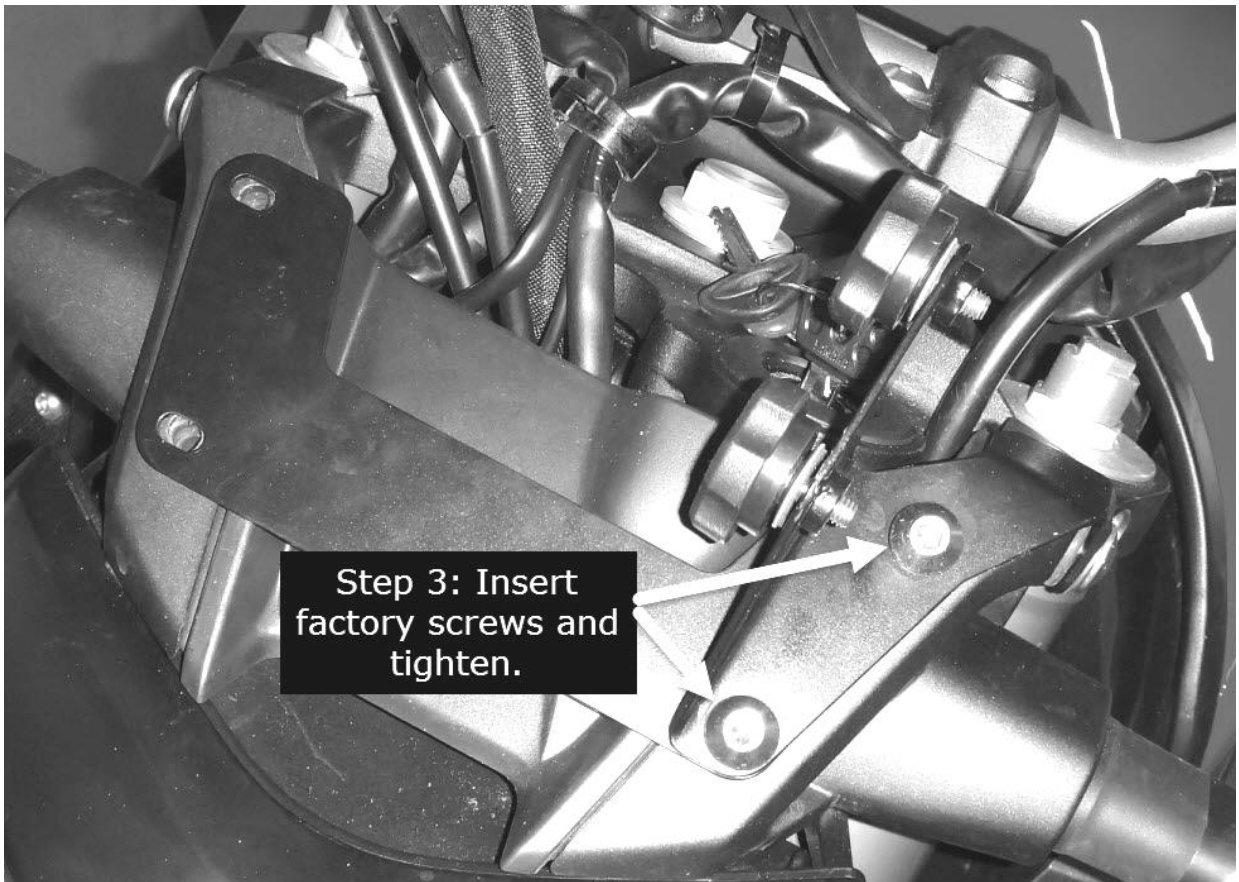
The instructions for installation are in the images on this page and the next.

**NOTE:** Before beginning, we recommend that you remove the two side screws completely at first, and **apply a drop of blue thread locker** to each one.

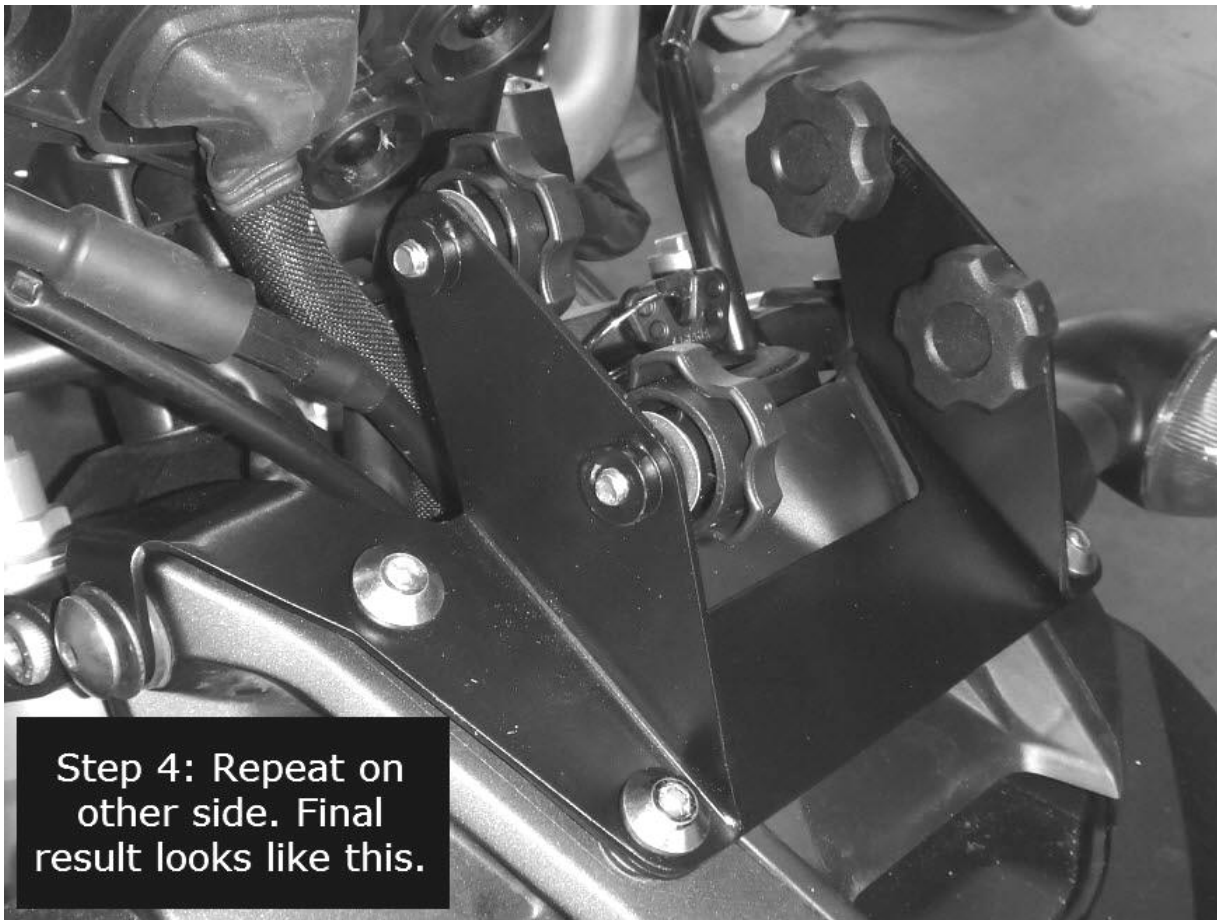
Although they may stay tight just fine, this extra procedure will insure that they don't vibrate loose over time. After applying the blue thread locker, thread the side screws back in partially then proceed with Step 1 below.



You may want to leave the side screw just slightly loose while you line up the two front holes with the adapter plate and rubber well nuts in the bike plastic. However fully tighten the side screw before fully tightening the front screws because this will help pull the front assembly inward for a better fit.



Step 3: Insert  
factory screws and  
tighten.



Step 4: Repeat on  
other side. Final  
result looks like this.

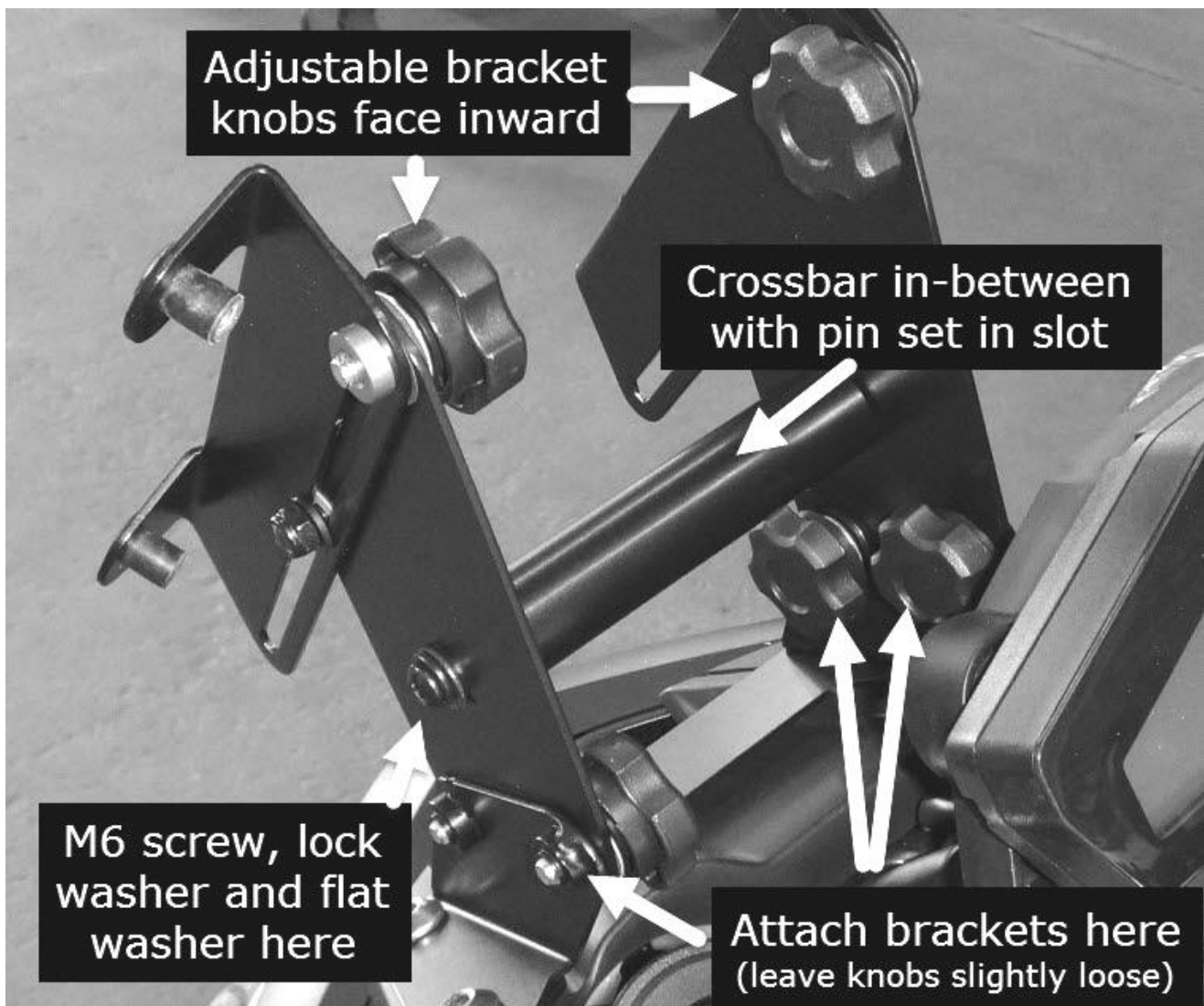
Make sure all six screws are tightened before continuing.

## ADJUSTABLE BRACKETS INSTALLATION

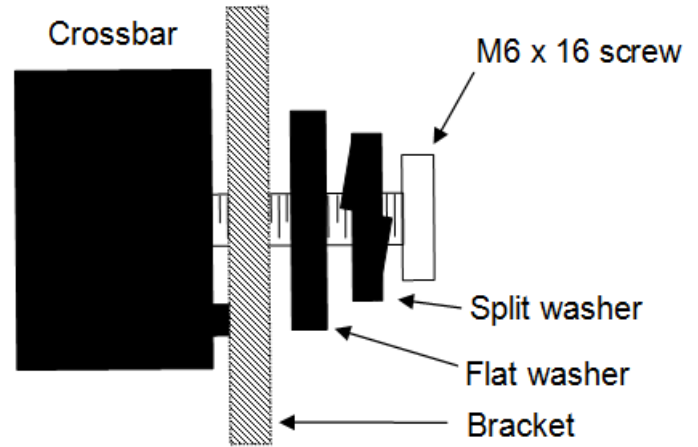
The adjustable brackets are connected with a crossbar. It's probably easiest to slide the two brackets into the base first and then attach the crossbar. The base will keep them in place and make this process easier.

**STEP 1:** Slide the slotted bottoms of the adjustable brackets into the knob screws on the base. (The adjustable bracket knobs face inward and the rubber well nuts face forward.) **The bottom slots go in first, then gently rotate the bracket downward to insert the second slot.** You may need to loosen the four base knobs a bit to insert the slots in.

Once the bracket slots are inserted onto the base knob screws, snug them up but don't fully tighten the knobs. We want to give the upright brackets a little room to flex so we can insert the crossbar in-between.



**STEP 2:** Once both adjustable brackets are in, put the crossbar between them at the crossbar hole in the center of the upright brackets. You will note that there is a hole with a slot, and that the crossbar has a pin sticking out of one end. That pin goes into one of the slots to keep it from rotating. It doesn't matter which side the pin is on, just set the crossbar at the middle screw holes with the pin in one of the slots, then insert the M6 button-head screws with a lock washer and a flat washer and tighten.



Before you install the windshield, make sure all four base knobs are fully tightened. You will be able to reach these later without removing the shield.

## **REMOVING THE ADJUSTABLE BRACKETS**

The entire adjustable brackets-and-windshield assembly can be removed as one unit quickly and easily.

**STEP 1** - If your windshield is in the full-down position, make sure it is tilted back about half-way toward the rider. This will give you access to the base knobs from under the front of the shield, and will give you clearance to rotate the assembly off of the base.

**STEP 2** – Loosen the four base knobs about 3 turns each.

**STEP 3** - Grab the crossbar from behind the shield and rotate the entire assembly slightly forward to first clear the rear base knobs, then up to lift off of the front base knobs. If you try to just lift straight up it will not come off; it has been designed to require some forward rotation first.

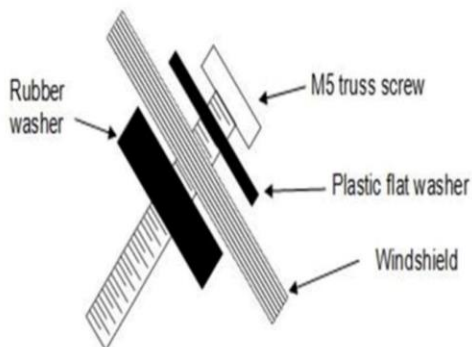
See the photo on the next page for how to hold this system as you lift it forward and off the base.



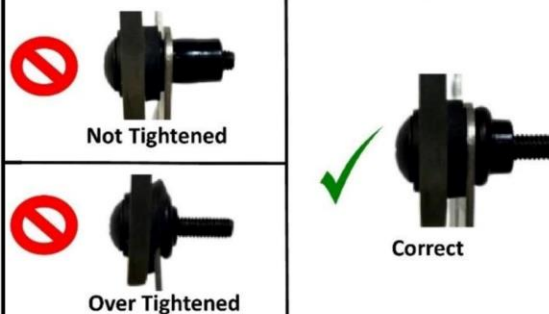
# Windshield Installation

1. Pre-install the Truss screws & washers into the windshield holes as shown in the image below.
2. Once all four of the screws are in place, gently guide the screws into the Well Nuts in the brackets until all four are set.
3. Hand tighten the Truss screws until they swell up behind the bracket and are firmly holding the windshield.

## Windshield Layout:



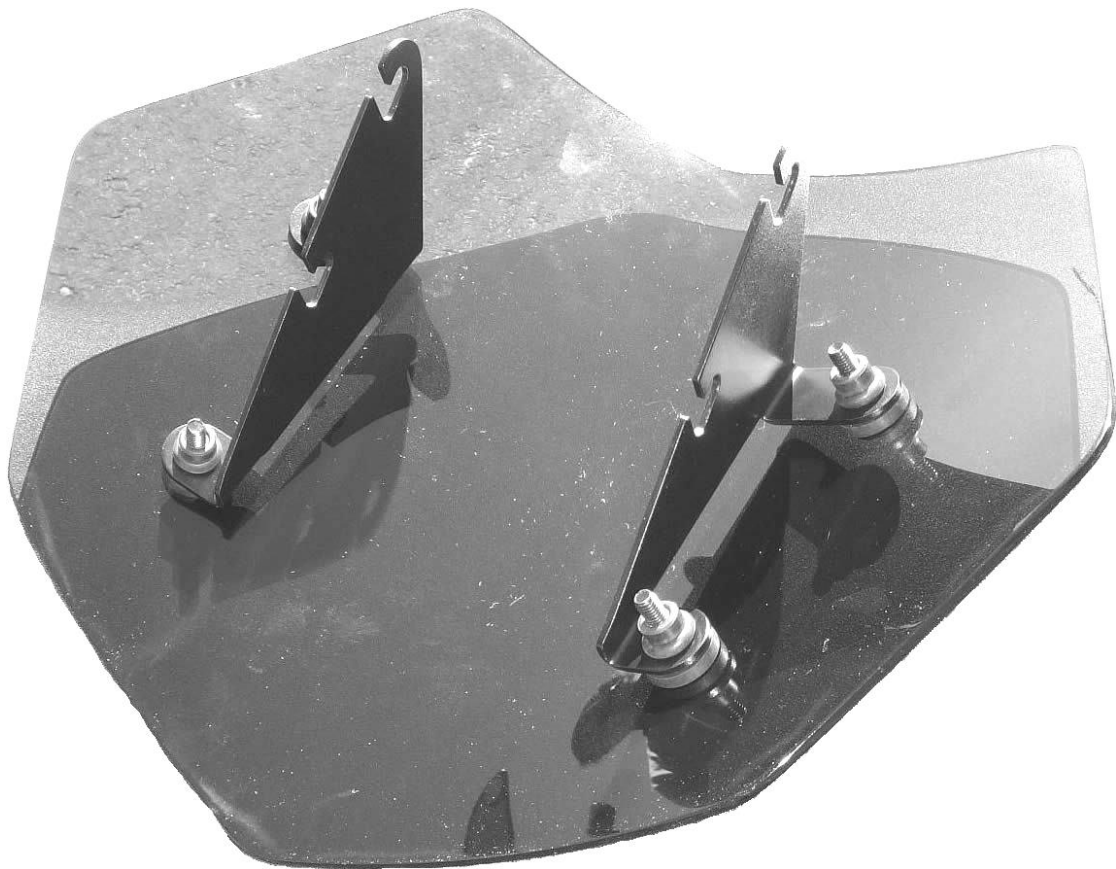
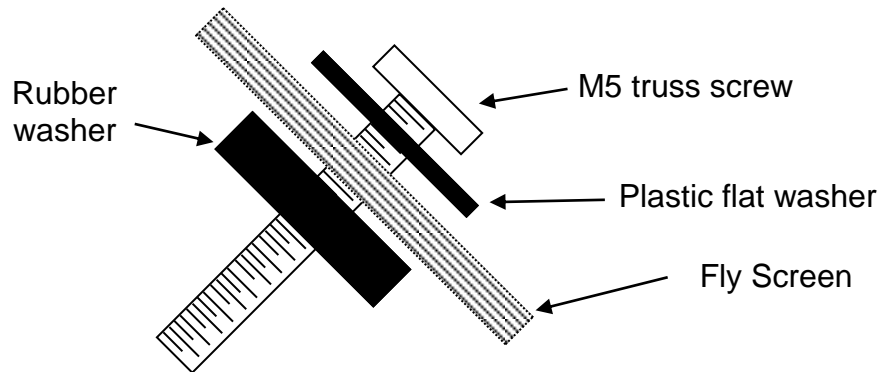
## Well Nut Tips:



**\*\*HAND TIGHTEN\*\***

## FLY SCREEN INSTALLATION

The fly screen attaches to the quick-release base just like the adjustable brackets do, with slotted brackets that slip in under the knobs. First you will have to assemble the brackets onto the fly screen. Please refer to the hardware diagram above for hardware placement and the photo below for bracket position. Just as with the windshield, do not over-tighten the truss screws; it isn't necessary.



Once the fly screen is assembled, it can be slipped onto the four quick-release knobs on the mounting base. Make sure you slide the fly screen down into the slots, and secure all four knob screws before driving. Please note that the fly screen IS NOT adjustable and is not intended for highway wind protection.



## Adjusting the Robo Knob Brackets

The knob screws on the MadStad adjustable brackets allow the windshield to slide and tilt. These knob screws must always be tightened securely before riding. **DO NOT** attempt to adjust the brackets while riding! You must come to a complete stop before making adjustments. Also make sure that you do not set the windshield in such a way that causes your handlebars or hand guards (if installed) to hit the windshield when turning, or before reaching full lock.

To make adjustments, loosen the knobs 1-2 turns and set the windshield so the top edge is at about your chin level as you look straight ahead while seated on the bike. Set the angle at approximately 60 degrees. (Use the angle guide on the back page of this manual as a guide.) Tighten the knobs and go for a ride to see if you now have smooth airflow over and around your helmet. Do this on a calm day if at all possible; windy days make it hard to judge the airflow. Don't ever try to adjust the mount while in motion!

**WARNING:** If you tilt the shield fully backward, it may make contact with the top edge of the brackets. This could scratch the back of your shield, so please check to make sure there is no contact.

To try a different windshield position, bring the motorcycle to a complete stop and out of traffic. Loosen the two knob screws and tilt the windshield forward or back 2-3 degrees or so, and/or adjust it up or down if necessary. Re-tighten the knobs and go for another ride.

Continue experimenting with different positions at different speeds until you find a combination of height and rake angle that eliminates buffeting and gives a smoother ride. You may have more than one favorite position, for example shield tilted forward on cooler days, and shield tilted back for hot days to let more air to your body.

## **PIVOT SCREWS**

The MadStad mount has a pivot screw on each set of brackets, located near the center of the bottom bracket. A nylon lock nut keeps the screw snugly in place, yet allows the brackets to slide back and forth. It is adjusted at the factory to have a minimum of play yet still allow the brackets to move.

If for some reason you wish to adjust the tightness of this pivot screw or move it to an alternate pivot position, use a 4mm Allen wrench along with a 10mm socket or crescent wrench to make the adjustment. **NOTE:** If you tighten the lock nut completely you will not be able to slide the brackets!

## **Notes on Windshield Angle**

Most windshields work best when set at a 55-60 degree angle. We have provided an angle guide **on the back page of this manual** so that you can check and see if your shield is set somewhere in this range.

To check your shield angle, your bike should be in an upright position either on a center stand or held up by a helper. Set the spine (folded edge) of the manual against the front of the shield. If the large arrow marked 60° is pointing straight up, then your shield is at a 60 degree angle. (See diagram on Page 5.) A little farther back and your angle would somewhere between 55 and 60 degrees. Anywhere in this range is fine for your initial test ride. On some bikes a more vertical angle works better, so don't be afraid to experiment later if tilting the shield back doesn't seem to be ideal.

## **Disclaimer**

Neither MadStad Engineering nor its owners shall be liable for any damages, consequential or inconsequential, resulting from the use of our products. Installation of any of our products constitutes acceptance of these terms.

It is the responsibility of the user to make sure all fasteners are tightened securely, the windshield is mounted properly and the adjustment knobs are tightened snugly before putting the motorcycle in motion. MadStad systems ARE NOT intended to be adjusted while the vehicle is in motion; you must pull over out of the way of traffic and come to a complete stop before making any changes. The user must never place the windshield in such a position as to interfere with the safe and complete movement of the handlebars and controls.

## **Returns and Warranty**

MadStad adjustable brackets carry a lifetime warranty against manufacturing defects. This does not include cosmetic issues nor any parts that inherently wear out or degrade over time such as rubber and plastic parts. Windshields, deflectors, and other similar plastic parts are warranted for 1 year against manufacturing defects, not against cosmetic issues or issues related to normal wear and tear. Please visit our website for further details.

# MadStad Engineering, Inc.

1451 E. Jefferson Street  
Brooksville, Fl 34601 U.S.A.  
Phone: 352-848-3649

Web Site: <http://www.madstad.com>

Email: [support@madstad.com](mailto:support@madstad.com)

*Thank you for your support, and ride safely!*

