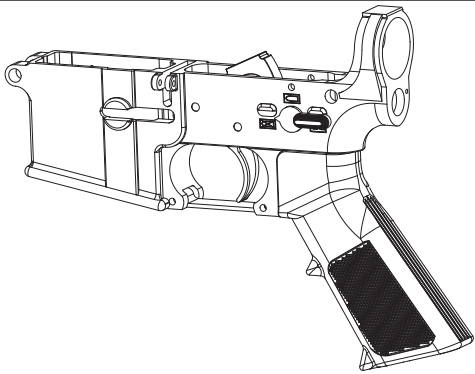


TriggerTech Installation Guide for AR-15

TriggerTech Disclaimer

Upon installing TriggerTech products, purchaser agrees to these terms and conditions. TriggerTech's Triggers ("Products") are not toys. As is common with all firearm related products, user must use safe handling and operating practices at all times. Improper operation may cause serious injury and property damage. Purchaser/user agrees to use the Products at his/her own risk. Purchaser/User shall be responsible for ensuring that all users of the Products comply with these Terms and Conditions and are properly trained on firearms safety protocols. The Purchaser/user agrees to refrain from operating TriggerTech Products in unsafe ways and must always be pointing their firearm in the safest direction possible, away from people, pets and property and abide by all firearm regulations in their respective locations. Purchaser/user agrees to conduct a thorough check before each instance of use and to be in touch with TriggerTech with any concern of trigger function and will not conduct their own maintenance on the Product. TriggerTech is not responsible for inexperienced shooters and is not accountable for the training or for any equipment used in, on, or with the Products. TriggerTech assumes no liability for damage or injury associated with the use of the Products. Purchaser/user assumes all liability for damages to property or persons caused by use of Products. User certifies by purchasing/using a Product he or she is legally qualified to purchase and own the Product and any related firearm and that there are no state or local laws preventing ownership and owner will utilize a trigger lock or any related safety mechanisms to prevent accidents. We strongly recommend a regular practice routine, with an unloaded firearm, be utilized to assure the continued capabilities of both product and user. Never assume the Product works without testing it first in an unloaded condition (double-check to make sure the chamber is empty), for proper fit and function. All TriggerTech Products are designed and are made for the specific gun it is advertised for. It is the user's responsibility to personally check for compatibility. Aftermarket triggers can involve complicated procedures that presuppose a base knowledge of shooting and firearm handling. If unfamiliar with shooting or exchanging out trigger components, Purchaser/user agrees to seek further information and assistance from a professional.

Step 1 of 7: Remove your existing lower receiver

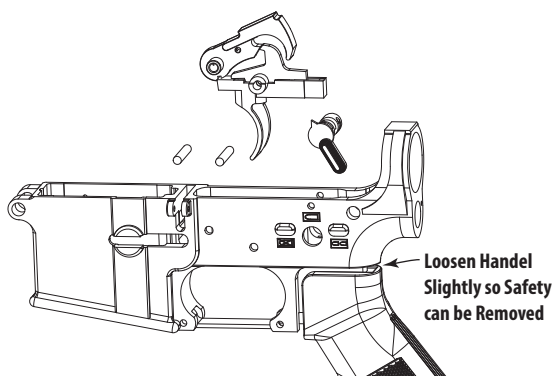


IMPORTANT: Read the product disclaimer and warranty prior to installing your TriggerTech trigger.

WARNING: Always point your firearm in a safe direction. Remove the magazine and all ammunition from the action and chamber before proceeding.

1a) Disassemble your firearm to gain full access to the lower receiver and existing trigger assembly.

Step 2 of 7: Remove the existing trigger



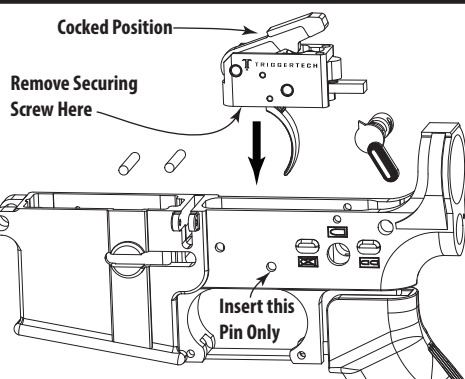
2a) Slightly loosen the grip on your lower receiver so that you can remove the safety toggle. Do not fully remove.

2b) Remove the pins securing your existing trigger to the lower receiver.

NOTE: You may need to loosen additional security features.

2c) Remove the existing trigger assembly.

Step 3 of 7: Prepare and insert your TriggerTech trigger



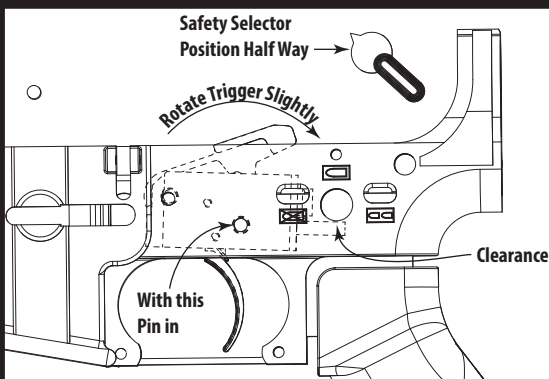
CAUTION: Be careful when removing the plastic securing screw as the trigger can rapidly release. Support the hammer and housing at all times.

3a) Using a flat-head screw driver, remove the plastic securing screw located on the front-bottom of your TriggerTech trigger.

3b) With your new TriggerTech trigger in the cocked position, insert it into the lower receiver. Keep it cocked during the whole installation.

3c) Only insert the rearward pin - this will help re-install the safety.

Step 4 of 7: Install the safety



4a) With only the rear pin in the trigger, rotate the trigger assembly as shown, so the safety will not interfere when being inserted.

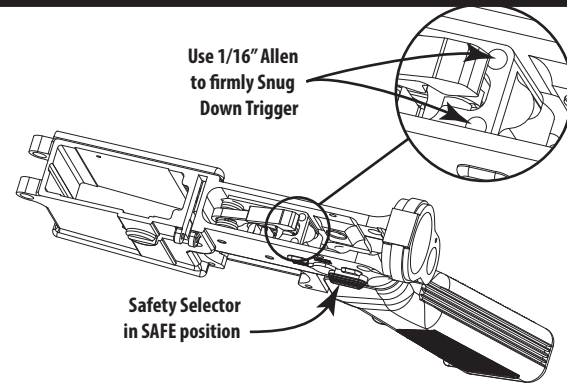
WARNING: Install your safety selector half way between safe and fire. Other angles can damage your trigger and void your warranty.

4b) Orient the safety selector half way between the safe and fire position and insert it into the safety hole.

4c) Insert the second pin to secure your trigger in place.

TriggerTech Installation Guide for AR-15

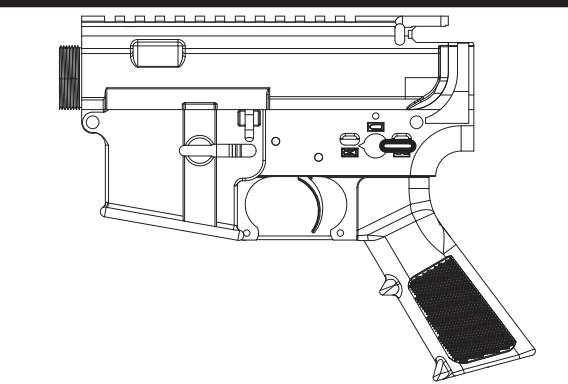
Step 5 of 7: Tighten snug-down screws



IMPORTANT: It is **CRITICAL** that you firmly, and **PROPERLY**, tighten **BOTH** Snug Down screws prior to re-assembling your firearm.

- 5a) Center the two pins securing the trigger to the lower receiver.
- 5b) With the Safety Selector in the **SAFE** position, use the 1/16" Allen key supplied and **FIRMLY** tighten the two snug-down screws towards the back on the trigger housing.
- 5c) Re-tighten the hand-grip to your lower receiver.

Step 6 of 7: Test the safety

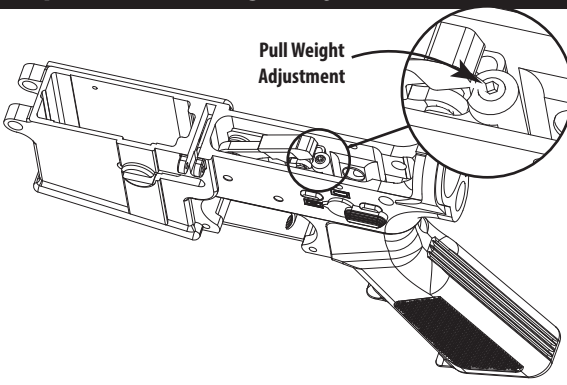


Prior to using your firearm, perform the following tests without ammunition to see if your installation was done correctly.

- 6a) Safety off, charge bolt, safety on, pull trigger firmly - trigger should **NOT** fire - Trigger should not make any audible clicks.
- 6b) Safety off, charge bolt, safety on, pull trigger firmly, safety off - Trigger should **NOT** fire.
- 6c) Safety off, charge bolt, safety on, pull trigger firmly, safety off, pull trigger - trigger should fire.

IMPORTANT: If your trigger should fail any of these tests, repeat step 5 to ensure your trigger is firmly, and correctly, snugged down. If it continues to fail, do **NOT** use live ammunition until you have spoken with your local gunsmith or TriggerTech.

Step 7 of 7: Pull weight adjustment



IMPORTANT: Some TriggerTech models allow you to adjust your trigger pull weight. The set screw located towards the rear-center of the trigger can be adjusted using the supplied 3/32" Allen wrench. Factory setting is approximately 3.5 lb. We recommend getting used to the factory setting before adjusting the pull weight down. Always keep the set screw engaged with two to three "clicks" otherwise it may fall out during use.

- 6a) To increase pull weight, turn the set screw clockwise.
- 6b) To decrease pull weight, turn the set screw counterclockwise.

Maintenance



Lubrication: TriggerTech's frictionless triggers can operate dry because of the patented technology. Any oil can be used, but it is recommended to be cleaned regularly.

Cleaning: The best way to clean a TriggerTech trigger is with compressed air or a grease cutting agent that does not leave residue. We recommend lighter fluid, letting it dry, and blowing with compressed air.

TriggerTech Warranty

TriggerTech warrants that the Products will be free from material defects at the time of delivery and manufacturing defects for the life of the product (this does include wear from aggressive use or handling). Except as specifically and expressly provided herein, there are no warranties, express or implied, which extend beyond the description on the face of these terms and conditions. This warranty applies only to Products manufactured by TriggerTech. The conditions of the warranty are: Products shall not have been misused, neglected, altered, improperly installed or otherwise damaged; and, there shall be no evidence of tampering or deliberate misuse or destruction. Modifying the product in any way **VOIDS** the warranty. The do not tamper sticker must not be broken. Warranties are handled directly through the manufacturer, not through our dealer network. Please contact us directly for a return authorization. Defective product will need to be sent to us for inspection. Shipping to us is the customer's responsibility. Installation of your trigger may void part or all of the firearm manufacturer's warranty, please check with the manufacturer of the firearm to find out how this will affect your warranty prior to installation of the trigger. No TriggerTech representative, distributor or reseller is authorized to assume for TriggerTech any other obligations or liabilities in connection with the product, or alter the terms of this warranty in any way. The manufacturer does not assume nor imply any oral or statutory warranties. TriggerTech does not assume liability for all incidental and consequential damages are excluded from the warranty including those caused by unauthorized servicing, alterations or modifications, or improper or unsafe accessories.