

Rattan Mushroom

Designed by Eero Aarnio 1961

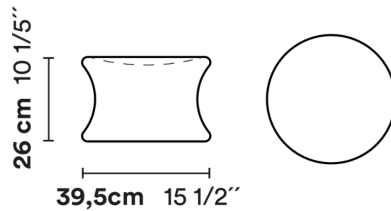
The Rattan Mushroom was the very first stool made by the Finnish innovator, and his first commercial success. The Mushroom is a multifunctional furniture piece, as it works both as a stool as well as a small table. The Mushroom is made of woven rattan with a rattan base.



Dimensions:

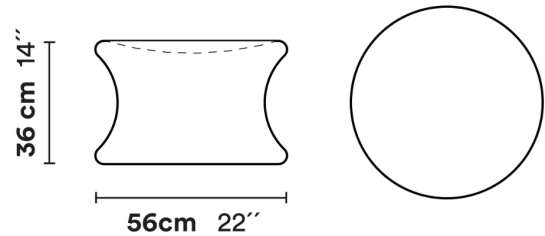
SMALL

39,5 cm diameter x
26 cm height



LARGE

56 diameter cm x
36 cm height



Weight:

Net weight: 3 kg
Gross weight: 5 kg

Net weight: 4 kg
Gross weight: 6 kg

Materials:

3 mm rattan
Rattan base

Colours:

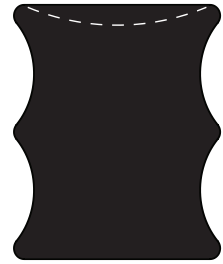
 Natural Rattan

EERO
AARNIO
ORIGINAL
ALU

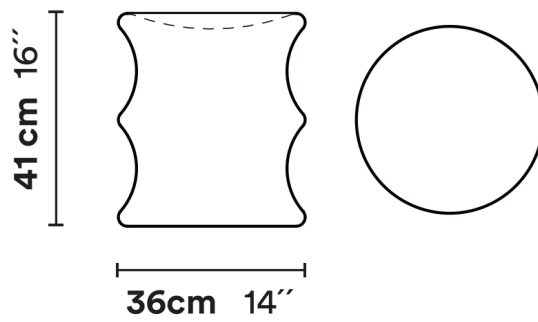
Mushroom Stool Double

Designed by Eero Aarnio 1961

The Rattan Mushroom was the very first stool made by the Finnish innovator, and his first commercial success. The Mushroom is a multifunctional furniture piece, as it works both as a stool as well as a small table. The Mushroom is made of woven rattan with a rattan base.



Dimensions: 36 cm diameter x 41 cm height



Weight: Net weight: 4 kg
Gross weight: 6 kg

Materials: 3mm rattan
Rattan base

Colours:  Natural Rattan