

COFFING® HOISTS

JLC ELECTRIC CHAIN HOIST

1/8 TO 2 TON CAPACITIES

The JLC is engineered and built for the heavy-duty demands of industrial applications. Compact in size but big on features, the JLC boasts a multiple disc motor brake, overload clutch, and chain end stop for safety.

BENEFITS & FEATURES

STANDARD LIFTS

10, 15 & 20 foot standard lifts. Other lifts available. Standard push button drop is 4 feet less than lift. CSA approved.

VOLTAGES

115/230 - single phase;
230/460, 208, 380, 415, 575 - three phase;
60 hertz standard, 50 hertz available.

EASY ACCESS FOR MAINTENANCE

Panel plate provides easy access to controls and motor leads for changing voltage on dual-voltage motors or servicing the hoist. Connection wires are numbered to assist with maintenance.

HEAVY-DUTY MOTOR BRAKE

Multiple disc motor brake with direct acting design for positive load spotting and holding.

SMOOTHER LIFTING & REDUCED CHAIN WEAR

5-pocket load sheave increases chain and sheave engagement 25% over hoists with conventional 4-pocket sheaves. Provides smoother lifting and reduces chain wear.

ADJUSTABLE LIMIT SWITCHES

Regulate upper and lower load travel. Brass nuts standard for improved switch setting and repeatability. Stainless steel limit switch shaft standard.

GUARDS AGAINST UNSAFE LOADING

Mechanical overload protection device protects hoist, operator and supporting structures from damaging overloads, chain jamming, and reverse phasing.

TWO-SPEED HOIST MODELS

Optional with 3:1 speed ratio, 3-phase, single voltage only.

LONGER & QUIETER OPERATION

Oil bath transmission and precision-machined alloy steel gears for longer, quieter operation.

NEMA 3R PUSH BUTTON STATION

Ergonomic design fits operator's hand for thumb or two-handed operation standard. 24V Control for operator safety. 115V Control available upon request.

COMPACT ALUMINUM FRAME

Housing designed for portability and ease of installation.

STANDARD CHAIN CONTAINER

Durable chain container is standard on lifts up to 20 ft. single chain and 10 ft. double chain.

OPTIONAL VFD

Variable frequency drive option is available in U.S. only.

LIFETIME WARRANTY

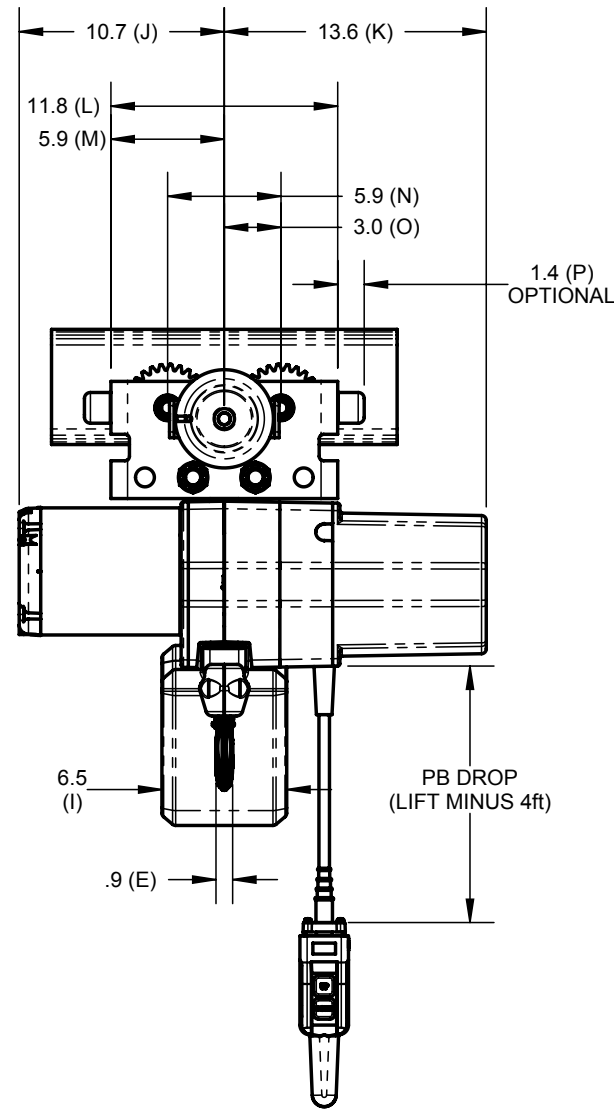
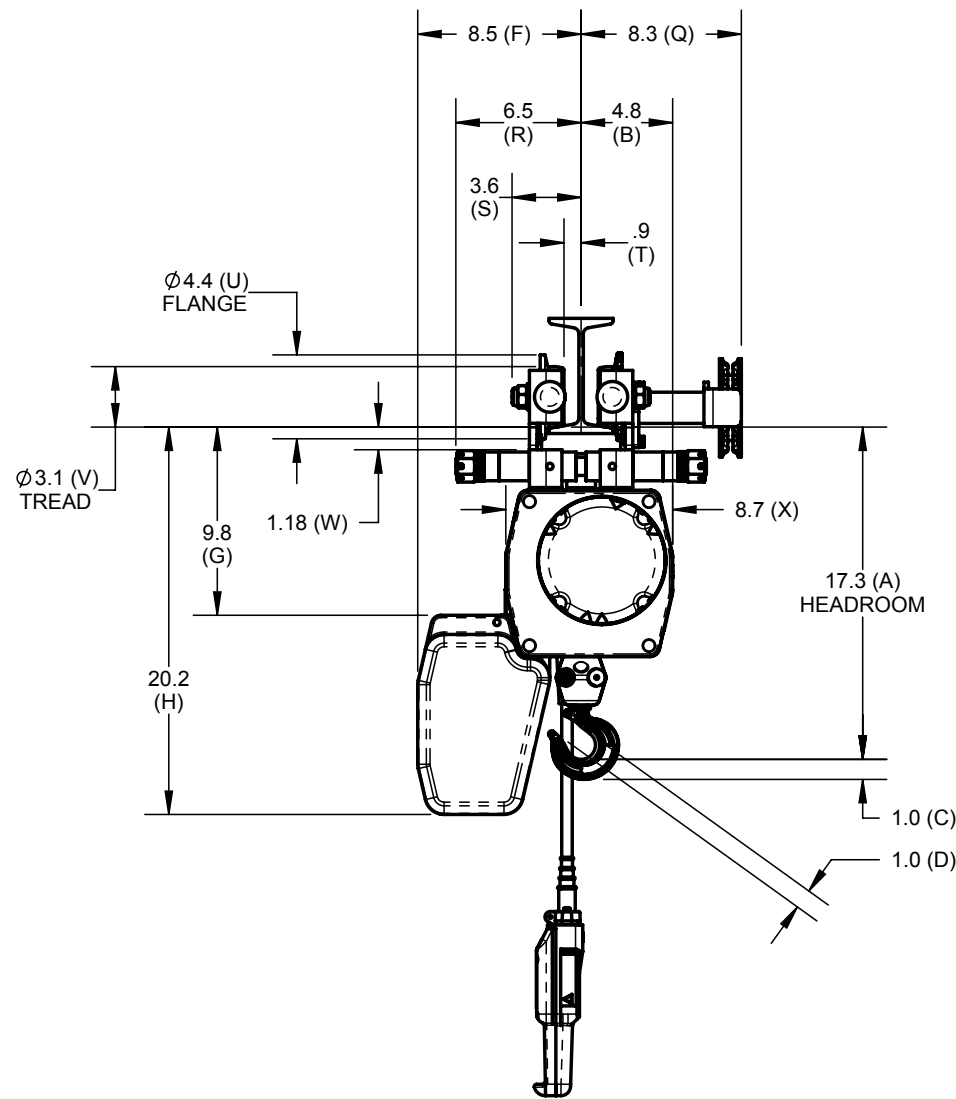


JLC ELECTRIC CHAIN HOIST

Capacity (tons)	Model Number	Number of Chains	Standard Lift (ft.)	Lift Speed (FPM)	Motor HP		Hoist with Rigid Top Hook Only		Hoist with Plain Trolley		Hoist with Motorized Trolley**	
					1 Phase	3 Phase	JLC*		JLCET		JLCMT**	
							Headroom (in.)	Weight (lbs.)	Headroom (in.)	Weight (lbs.)	Headroom (in.)	Weight (lbs.)
1/8	JLC0232-10	1	10	32	1/2	1/4	18-1/8	65	17-5/16	89	17-5/16	175
	JLC0232-15	1	15	32	1/2	1/4	18-1/8	69	17-5/16	93	17-5/16	179
	JLC0232-20	1	20	32	1/2	1/4	18-1/8	73	17-5/16	97	17-5/16	183
1/4	JLC0516-10	1	10	16	1/2	1/4	18-1/8	65	17-5/16	89	17-5/16	175
	JLC0532-10	1	10	32	1/2	1/2	18-1/8	79	17-5/16	103	17-5/16	189
	JLC0516-15	1	15	16	1/2	1/4	18-1/8	69	17-5/16	93	17-5/16	179
	JLC0532-15	1	15	32	1/2	1/2	18-1/8	83	17-5/16	107	17-5/16	193
	JLC0516-20	1	20	16	1/2	1/4	18-1/8	73	17-5/16	97	17-5/16	183
	JLC0532-20	1	20	32	1/2	1/2	18-1/8	87	17-5/16	111	17-5/16	197
1/2	JLC1016-10	1	10	16	1/2	1/2	18-1/8	79	17-5/16	103	17-5/16	189
	JLC1032-10	1	10	32	1	1	18-1/8	92	17-5/16	116	17-5/16	202
	JLC1016-15	1	15	16	1/2	1/2	18-1/8	83	17-5/16	107	17-5/16	193
	JLC1032-15	1	15	32	1	1	18-1/8	96	17-5/16	120	17-5/16	206
	JLC1016-20	1	20	16	1/2	1/2	18-1/8	87	17-5/16	111	17-5/16	197
	JLC1032-20	1	20	32	1	1	18-1/8	100	17-5/16	124	17-5/16	210
1	JLC2016-10	1	10	16	1	1	18-1/8	94	17-5/16	118	17-5/16	204
	JLC2016-15	1	15	16	1	1	18-1/8	98	17-5/16	122	17-5/16	208
	JLC2016-20	1	20	16	1	1	18-1/8	102	17-5/16	126	17-5/16	212
2	JLC4008-10	2	10	8	1	1	20-13/16	104	20-5/8	160	20-5/8	214
	JLC4008-15	2	15	8	1	1	20-13/16	112	20-5/8	168	20-5/8	222
	JLC4008-20	2	20	8	1	1	20-13/16	120	20-5/8	176	20-5/8	230

* Rigid top hook standard. Specify rigid lug, if desired. (Max flange width for JLCET is 8", JLCMT is 9")
For JLC with geared trolley - consult factory.

** Standard trolley speeds are 35 & 75 FPM. Optional speeds available, consul factory. Specify speed when ordering.



CHAIN CONTAINER					
MODEL NUMBER	F	G	H	I	HOIST LIFT (ft)
					SINGLE
JLC927-1	8.5	9.8	20.2	6.5	20
JLC927-2	8.7	14.1	30.1	6.3	35
JLC927-3	8.7	14.1	34.3	6.3	50
JLC927-4	8.7	14.1	48.3	6.1	51 - 143
JLC927-20F	7.7	13.8	23.8	7.8	20
JLC927-35F	7.7	13.8	29.8	7.8	35
JLC927-50F	7.7	13.8	33.8	7.8	50
JLC927-70F	7.7	13.8	38.8	7.8	70
MODEL NUMBER	F	G	H	I	HOIST LIFT (ft)
					DOUBLE
JLC927-1	9.4	9.8	20.2	6.5	10
JLC927-2	9.6	14.1	30.1	6.3	17
JLC927-3	9.6	14.1	34.3	6.3	25
JLC927-4	9.6	14.1	48.3	6.1	26 - 71
JLC927-20F	8.6	13.8	23.8	7.8	10
JLC927-35F	8.6	13.8	29.8	7.8	17.5
JLC927-50F	8.6	13.8	33.8	7.8	25
JLC927-70F	8.6	13.8	38.8	7.8	35

HOIST	A	B	C	D	E	J	K	L	M	N	O	P	Q	R	S	T	U	V	W	X
SINGLE-LINE	17.3	4.8	1.0	1.0	0.9	10.7 (1-SPEED), 11.6 (2-SPEED)	13.6	11.8	5.9	5.9	3.0	1.4	8.3	6.5	3.6	0.9	4.4	3.1	1.18	8.7
DOUBLE-LINE	19.9	3.9	1.3	1.1	1.0	10.7 (1-SPEED), 11.6 (2-SPEED)	13.6	11.8	5.9	5.9	3.0	1.4	8.3	6.5	3.6	0.9	4.4	3.1	1.18	8.7

- NOTES:
1) S-BEAM AND W-BEAM ONLY
2) RUBBER BUMPERS ARE OPTIONAL

CONFIGURATION SHOWN:
1-SPEED, SINGLE-LINE, PARALLEL-MOUNT,
JLC927-1 CHAIN CONTAINER, S6 X 12.5# BEAM

ECN	Rev.	Description of change	Date	By
-	-	-	-	-
-	-	-	-	-
-	-	-	-	-

Standard Dimensional Tolerances Unless Otherwise Specified		Dimensional Units INCH	
	0" to 60"	Over 60"	
.X	± .020	± .025	 Third Angle Projection
.XX	± .010	± .015	
.XXX	± .005	± .010	
Ang	± 0°30'	± 0°30'	
Material:		Description:	
Standard:		JLC, UT2G	
Material No:			
Modeled:	9/7/2012	DKB	
Drawn:	9/7/2012	DKB	
Approved:			
Design Authority:		Wadesboro	Format
Original project:		Hoist PDE	Number:
Original scale:		1:10	B 11848301

Columbus McKinnon Corporation
Hoist & Rigging - Americas
Amherst, NY USA

NOTICE TO PERSONS RECEIVING THIS DRAWING AND/OR TECHNICAL INFORMATION
 Columbus McKinnon Corporation (CMCO) claims proprietary rights in the material disclosed herein. This drawing and/or technical information is issued in confidence and is intended for the use of the recipient only. It is not to be reproduced, copied, or used in any way without the prior written permission of CMCO. This drawing and/or technical information is loaned for mutual assistance and is subject to recall by CMCO at any time. This drawing and/or technical information is the property of CMCO.

Columbus McKinnon Corporation
Amherst, NY USA


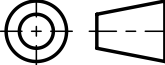
NOTES: JLC WITH UT2/UT2G

STD HOIST LIFT (ft)	20 (SINGLE-LINE)
MAX HOIST LIFT (ft)	143 (SINGLE-LINE)
STD TROLLEY MOUNTING	CROSS
UT2 MOUNTING	CROSS OR PARALLEL
UT2G MOUNTING	PARALLEL
MIN BEAM FLANGE WIDTH (in)	2.3
MAX BEAM FLANGE WIDTH (in)	8.7
MINIMUM BEAM RADIUS (in)	45
SUSPENSION PIN DIAMETER x LENGTH (mm) [in]	24 x 331.4 [0.95 x 13.05]
HAND CHAIN OVERHAUL PER FOOT OF TRAVEL (ft)	42.9
MAX CAPACITY (SINGLE-LINE)	2,205 POUNDS
MAX CAPACITY (DOUBLE-LINE)	4,410 POUNDS

.875" shift from single to double-line

NOTICE TO PERSONS RECEIVING THIS DRAWING AND/OR TECHNICAL INFORMATION
 Columbus McKinnon Corporation (CMCO) claims proprietary rights in the material disclosed herein. This drawing and/or technical information is issued in confidence and is intended for use only by the recipient. It is not to be reproduced, distributed, or used to manufacture any part without the express written permission from CMCO to the user. This drawing and/or technical information is loaned for mutual assistance and is subject to recall by CMCO at any time. This drawing and/or technical information is the property of CMCO.

ECN	Rev.	Description of change	Date	By
-	-	-		-
-	-	-		-
-	-	-		-

Standard Dimensional Tolerances Unless Otherwise Specified		Dimensional Units INCH		 Columbus McKinnon Corporation Hoist & Rigging - Americas Amherst, NY USA
	0" to 60"	Over 60"	 Third Angle Projection	
.X	± .020	± .025		
.XX	± .010	± .015		
.XXX	± .005	± .010		
Ang	± 0°30'	± 0°30'		
Material:				Description:
Standard:				
Material No:				
Modeled:				
Drawn:				
Approved:				Format: B Number:
Design Authority:				
Original project:				
Original scale: 1:8				
				Sheet 2/2