



# MAN GUARD™

## ELECTRIC CHAIN HOIST

### 1/4 TO 3 TON CAPACITIES

Designed for safety and ease of use, the CM® Man Guard™ electric chain hoist is ideal for heavy-duty lifting applications. This versatile hoist meets CSA, ANSI and ASME standards and is now guaranteed to ship in 3 business days or less through our In-Stock Guarantee.

### BENEFITS & FEATURES

#### CAPACITIES & LIFT

Capacities of 1/4 to 3 tons.  
Metric Rated.  
Standard lifts up to 20 feet.  
Additional lifts available.

#### LIFTING SPEEDS

5 to 32 FPM lifting speeds.

#### OVERLOAD PROTECTION

Overload clutch prevents lifting an over-capacity load, helping to avoid serious operator injury or catastrophic damage to the hoist, load or supporting structure.

#### READY FOR HEAVY-DUTY APPLICATIONS

H4-duty motor classification for heavy-duty use.

#### LONGER SERVICE LIFE

- Class F insulation and thermal switch in motor winding reduces overheating and increases service life.
- Helical spur gears are oil bath lubricated to provide better wear and extend gear life while reducing noise.
- Standard powder-coat finish on housing and zinc-plated chain provide extra protection against corrosion when working in harsh environments.
- Hard-wired power and pendant cords reduce risk of corrosion and loose connections.

#### IMPROVED SERVICEABILITY

- Open design provides quick access to control panel and AC brake for one-step adjustment.
- Simple wiring change allows operator to easily switch voltages from 115 to 230V for single-phase applications.

#### ECO-FRIENDLY ENERGY SAVER

Efficiently designed gear train allows a smaller horsepower motor to operate at the same speeds and duty as our competition while reducing energy consumption. Hoist is also shipped in boxes made of recycled material.

#### HOIST CONTROLS

USA: Single-speed and VFD units standard.

Canada: Single-speed and 2-speed units standard.

#### HOOK SUSPENSION

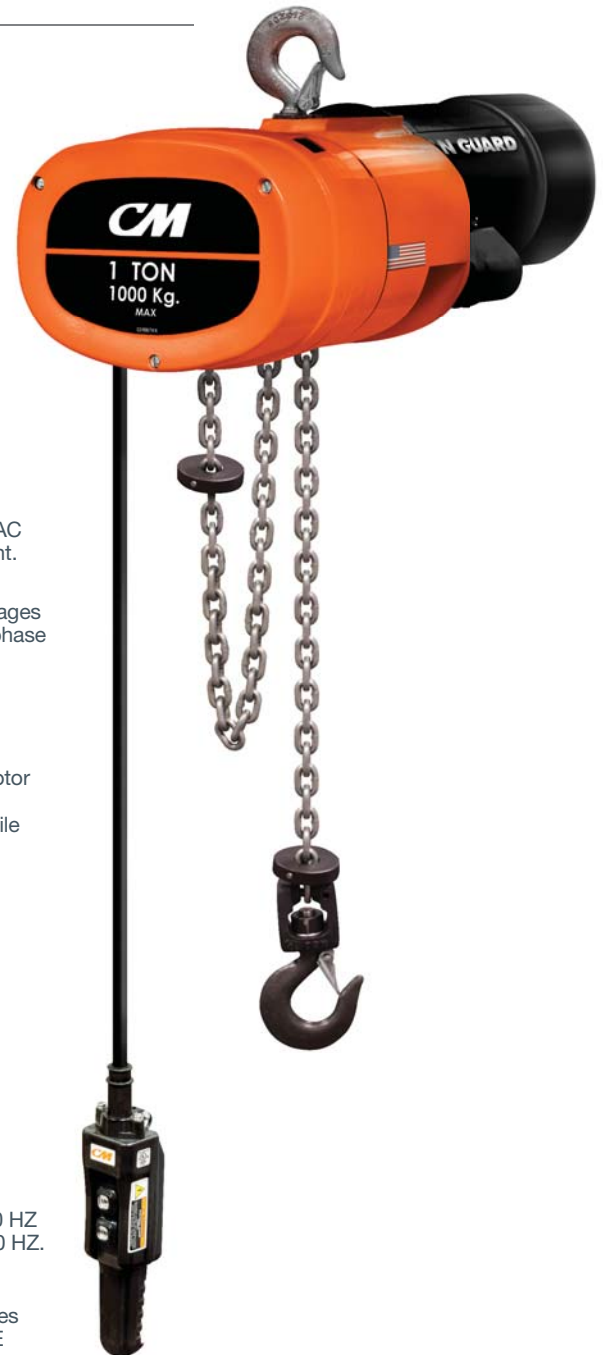
Allows operator to easily move and position the hoist.

#### AC POWER SUPPLY

115/230 1-60 HZ; 230/460 3-60 HZ  
reconnectable voltage. 575 3-60 HZ.

#### BUILT-IN COMPLIANCE

CSA/US approved. Also complies with ASME/ANSI B30.16, ASME HST-1 and NEC electrical codes.



#### GUARANTEED TO SHIP IN 3 DAYS OR LESS

Select Man Guard units are eligible for our In-Stock Guarantee. Look for **orange product codes** in chart on reverse side.





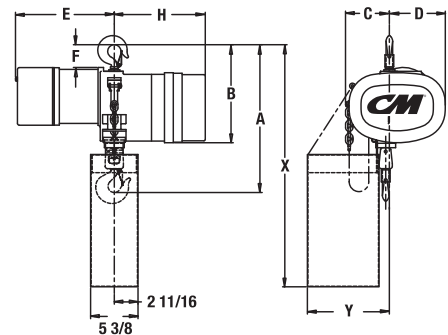
# MAN GUARD™

## ELECTRIC CHAIN HOIST

	Capacity (Metric Tons)	Product Code			Lift Speed (FPM)	Motor HP	Parts of Chain	Weight lbs. (kg.)	Dimensions in. (mm)									
		Single Speed							A	B	C	D	E* Max.	F	G	H	X**	Y
		115/230-1-60 (USA)	230/460-3-60 (USA)	575 Volt (Canada)														
SINGLE SPEED MODELS	1/4	MG25161ORH1	MG25161ORH2	MG25161ORH5	16	1/4	1	77 (34.9)	16-3/4 (425.45)	11-1/8 (282.58)	5 (127)	6-5/16 (160.34)	14-1/4 (361.95)	2-9/16 (65.09)	15/16 (23.81)	10-5/16 (261.94)	21-5/8 (549.28)	9-1/2 (241.3)
		MG25321ORH1	MG25321ORH2	MG25321ORH5	32	1/2		80 (36.3)	16-3/4 (425.45)	11-1/8 (282.58)	5 (127)	6-5/16 (160.34)	14-1/4 (361.95)	2-9/16 (65.09)	15/16 (23.81)	10-5/16 (261.94)	21-5/8 (549.28)	9-1/2 (241.3)
	1/2	MG50161ORH1	MG50161ORH2	MG50161ORH5	16	1/2	1	80 (36.3)	16-3/4 (425.45)	11-1/8 (282.58)	5 (127)	6-5/16 (160.34)	14-1/4 (361.95)	2-9/16 (65.09)	15/16 (23.81)	10-5/16 (261.94)	21-5/8 (549.28)	9-1/2 (241.3)
		MG50321ORH1	MG50321ORH2	MG50321ORH5	32	1		81 (36.7)	16-3/4 (425.45)	11-1/8 (282.58)	5 (127)	6-5/16 (160.34)	14-1/4 (361.95)	2-9/16 (65.09)	15/16 (23.81)	10-5/16 (261.94)	21-5/8 (549.28)	9-1/2 (241.3)
	1	MG01161ORH1	MG01161ORH2	MG01161ORH5	16	1	1	89 (40.4)	17-1/2 (444.50)	11-7/16 (290.51)	5-1/8 (130.18)	6-5/16 (160.34)	14-1/4 (361.95)	2-15/16 (74.61)	1-1/8 (28.58)	10-5/16 (261.94)	21-5/8 (549.28)	9-1/2 (241.3)
		—	MG01321ORH2	MG01321ORH5	32	2-1/2		95 (43.1)	17-1/2 (444.50)	11-7/16 (290.51)	5-1/8 (130.18)	6-5/16 (160.34)	14-1/4 (361.95)	2-15/16 (74.61)	1-1/8 (28.58)	11-5/16 (287.34)	21-5/8 (549.28)	9-1/2 (241.3)
	2	MG02081ORH1	—	—	8	1	2	111 (50.3)	23 (584.20)	13-1/8 (333.38)	6-3/8 (161.93)	5-1/16 (128.59)	14-1/4 (361.95)	4-9/16 (623.89)	1-1/16 (26.99)	10-5/16 (261.94)	24-3/4 (628.65)	10-3/4 (273.05)
		—	MG02161ORH2	MG02161ORH5	16	2-1/2		112 (50.8)	23 (584.20)	13-1/8 (333.38)	6-3/8 (161.93)	5-1/16 (128.59)	14-1/4 (361.95)	4-9/16 (623.89)	1-1/16 (26.99)	11-5/16 (287.34)	24-3/4 (628.65)	10-3/4 (273.05)
	3	MG03051ORH1	—	—	5	1	3	136 (61.7)	25-7/8 (657.23)	14-3/8 (365.13)	7-7/8 (200.03)	7-1/8 (28.58)	14-1/4 (361.95)	5-7/8 (149.23)	2 (50.80)	10-5/16 (261.94)	30 (762)	12-1/4 (311.15)
		—	MG03101ORH2	MG03101ORH5	10	2-1/2		146 (66.2)	25-7/8 (657.23)	14-3/8 (365.13)	7-7/8 (200.03)	7-1/8 (28.58)	14-1/4 (361.95)	5-7/8 (149.23)	2 (50.80)	11-5/16 (287.34)	30 (762)	12-1/4 (311.15)
		Variable Frequency Drive																
		230-3-60 (USA)	460-3-60 (USA)	2-Speed 575 Volt (Canada)														
VARIABLE FREQUENCY DRIVE (USA)  2-SPEED (CANADA)	1/4	MG25161ORH3	MG25161ORH4	MG25161ORH6	16	1/4	1	77 (34.9)	16-3/4 (425.45)	11-1/8 (282.58)	5 (127)	6-5/16 (160.34)	14-1/4 (361.95)	2-9/16 (65.09)	15/16 (23.81)	13-7/16 (341.31)	21-5/8 (549.28)	9-1/2 (241.3)
		MG25321ORH3	MG25321ORH4	MG25321ORH6	32	1/2		80 (36.3)	16-3/4 (425.45)	11-1/8 (282.58)	5 (127)	6-5/16 (160.34)	14-1/4 (361.95)	2-9/16 (65.09)	15/16 (23.81)	13-7/16 (341.31)	21-5/8 (549.28)	9-1/2 (241.3)
	1/2	MG50161ORH3	MG50161ORH4	MG50161ORH6	16	1/2	1	80 (36.3)	16-3/4 (425.45)	11-1/8 (282.58)	5 (127)	6-5/16 (160.34)	14-1/4 (361.95)	2-9/16 (65.09)	15/16 (23.81)	13-7/16 (341.31)	21-5/8 (549.28)	9-1/2 (241.3)
		MG50321ORH3	MG50321ORH4	MG50321ORH6	32	1		81 (36.7)	16-3/4 (425.45)	11-1/8 (282.58)	5 (127)	6-5/16 (160.34)	14-1/4 (361.95)	2-9/16 (65.09)	15/16 (23.81)	13-7/16 (341.31)	21-5/8 (549.28)	9-1/2 (241.3)
	1	MG01161ORH3	MG01161ORH4	MG01161ORH6	16	1	1	89 (40.4)	17-1/2 (444.50)	11-7/16 (290.51)	5-1/8 (130.18)	6-5/16 (160.34)	14-1/4 (361.95)	2-15/16 (74.61)	1-1/8 (28.58)	13-7/16 (341.31)	21-5/8 (549.28)	9-1/2 (241.3)
		MG01321ORH3	MG01321ORH4	MG01321ORH6	32	2-1/2		95 (43.1)	17-1/2 (444.50)	11-7/16 (290.51)	5-1/8 (130.18)	6-5/16 (160.34)	14-1/4 (361.95)	2-15/16 (74.61)	1-1/8 (28.58)	13-7/16 (341.31)	21-5/8 (549.28)	9-1/2 (241.3)
	2	MG02161ORH3	MG02161ORH4	MG02161ORH6	16	2-1/2	2	112 (50.8)	23 (584.20)	13-1/8 (333.38)	6-3/8 (161.93)	5-1/16 (128.59)	14-1/4 (361.95)	4-9/16 (623.89)	1-1/16 (26.99)	13-7/16 (341.31)	24-3/4 (628.65)	10-3/4 (273.05)
		MG03101ORH3	MG03101ORH4	MG03101ORH6	10	2-1/2		146 (66.2)	25-7/8 (657.23)	14-3/8 (365.13)	7-7/8 (200.03)	7-1/8 (28.58)	14-1/4 (361.95)	5-7/8 (149.23)	2 (50.80)	13-7/16 (341.31)	30 (762)	12-1/4 (311.15)

\* Maximum length for 3 phase model hoists. Consult factory for exact dimensions.  
 \*\* Dimensions based on lifts through 10 ft. (all capacities) and increases proportionally with longer lifts.

Product Codes for In-Stock Guarantee products are highlighted in orange.



USA: 800.888.0985 • 716.689.5400 • Fax: 716.689.5644  
 CDN: 877.264.6478 • Fax: 877.264.6477  
 www.cmworks.com