



J-906FCT SERIES

WALL BRACKET JIB CRANE

CAPACITY UP TO 5 TONS

The Abell-Howe J-906FCT Series was developed to be an all purpose wall mount jib for heavy duty industrial applications.



BENEFITS & FEATURES

CAPACITIES

1/4 Ton to 5 Tons.

Boom Lengths up to 20 ft.

SPECIFICATIONS

Up to 212 degree rotation for high hook lift applications

Conservatively designed mast resists torsional forces from off-center loading.

Fabricated steel hinge fittings with bearings.

Boom is preset to compensate for deflection under load.

End stops at both ends of the boom to limit trolley travel.

OPTIONAL ACCESSORIES

Rotational stops

Available in Motorized versions (consult factory)

Wind or Position Lock

Galvanizing

Spark-resistant and/or explosion proof construction for hazardous locations

Messenger wire assembly

Electric, Air or Hand-gearred rotation.



J-906FCT WALL BRACKET JIB CRANE

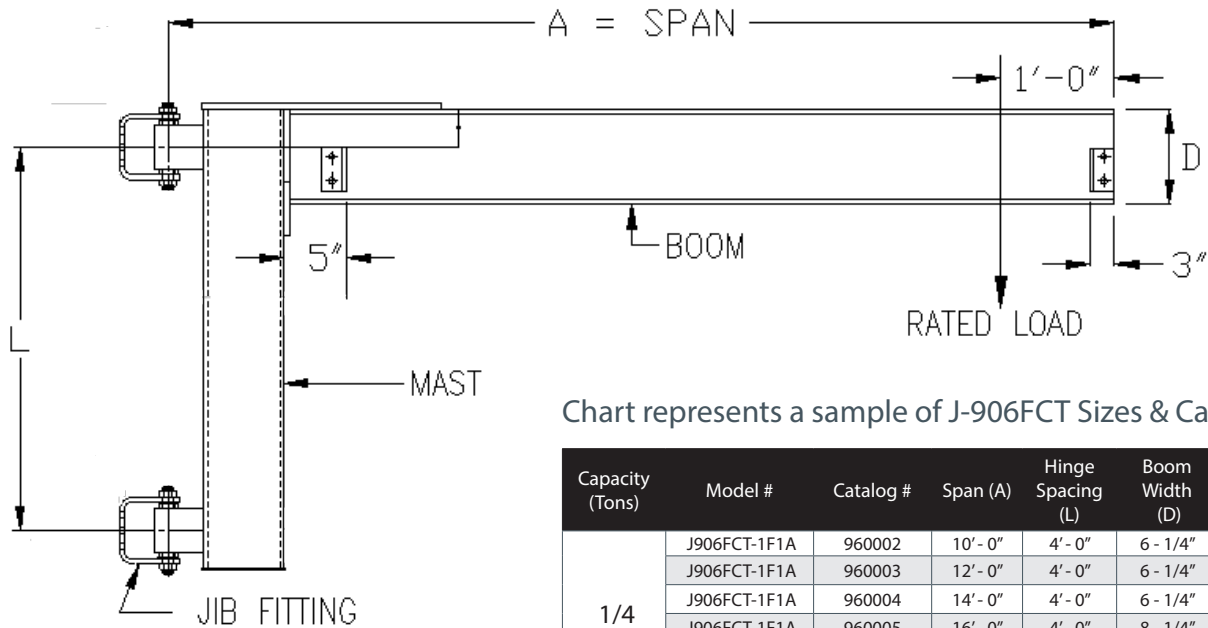


Chart represents a sample of J-906FCT Sizes & Capacities

Capacity (Tons)	Model #	Catalog #	Span (A)	Hinge Spacing (L)	Boom Width (D)	Rotation (Degrees)
1/4	J906FCT-1F1A	960002	10' - 0"	4' - 0"	6 - 1/4"	188°
	J906FCT-1F1A	960003	12' - 0"	4' - 0"	6 - 1/4"	188°
	J906FCT-1F1A	960004	14' - 0"	4' - 0"	6 - 1/4"	188°
	J906FCT-1F1A	960005	16' - 0"	4' - 0"	8 - 1/4"	188°
	J906FCT-1F1A	960006	18' - 0"	4' - 0"	8 - 1/4"	188°
	J906FCT-1F1A	960007	20' - 0"	4' - 0"	10 - 3/8"	180°
1/2	J906FCT-1F1A	960009	10' - 0"	4' - 0"	8 - 1/4"	188°
	J906FCT-1F1A	960010	12' - 0"	4' - 0"	8 - 1/4"	188°
	J906FCT-1F1A	960011	14' - 0"	4' - 0"	8 - 1/4"	188°
	J906FCT-1F1A	960012	16' - 0"	4' - 0"	10 - 3/8"	180°
	J906FCT-1F1A	960013	18' - 0"	4' - 0"	10 - 3/8"	180°
	J906FCT-1F1A	960014	20' - 0"	6' - 0"	12 - 1/2"	180°
1	J906FCT-1F1A	960016	10' - 0"	5' - 0"	10 - 3/8"	180°
	J906FCT-1F1A	960017	12' - 0"	5' - 0"	10 - 3/8"	180°
	J906FCT-1F1A	960018	14' - 0"	5' - 0"	10 - 3/8"	180°
	J906FCT-1F1A	960019	16' - 0"	6' - 0"	12 - 1/2"	180°
	J906FCT-1F1A	960020	18' - 0"	6' - 0"	16 - 1/8"	180°
	J906FCT-1F1A	960021	20' - 0"	6' - 0"	16 - 1/8"	180°
1 - 1/2	J906FCT-2F1A	960023	10' - 0"	4' - 0"	10 - 3/8"	212°
	J906FCT-2F1A	960024	12' - 0"	4' - 0"	12 - 1/2"	212°
	J906FCT-2F1A	960025	14' - 0"	4' - 0"	12 - 1/2"	212°
	J906FCT-2F1A	960026	16' - 0"	5' - 0"	16 - 1/8"	192°
	J906FCT-2F1A	960027	18' - 0"	6' - 0"	18 - 1/8"	192°
	J906FCT-2F1A	960028	20' - 0"	6' - 0"	18 - 1/8"	192°
2	J906FCT-2F1A	960030	10' - 0"	4' - 0"	12 - 1/2"	212°
	J906FCT-2F1A	960031	12' - 0"	4' - 0"	12 - 1/2"	212°
	J906FCT-2F1A	960032	14' - 0"	5' - 0"	16 - 1/8"	192°
	J906FCT-2F1A	960033	16' - 0"	6' - 0"	18 - 1/8"	192°
	J906FCT-2F1A	960034	18' - 0"	6' - 0"	18 - 1/8"	192°
	J906FCT-2F1A	960035	20' - 0"	6' - 6"	21"	192°
3	J906FCT-3F1A	960037	10' - 0"	4' - 0"	16 - 1/8"	180°
	J906FCT-3F1A	960038	12' - 0"	6' - 0"	16 - 1/8"	180°
	J906FCT-3F1A	960039	14' - 0"	6' - 0"	16 - 1/8"	180°
	J906FCT-3F1A	960040	16' - 0"	6' - 6"	18 - 1/8"	180°

Optional Models:

Part #	Description
J-904FMD	Foundation Mount - Electric Motor Drive
J-904FAMD	Foundation Mount - Air Motor Drive
J-904FHG	Foundation Mount - Hand Geared