

Undercounter and Freestanding Integrated Icemaker with Drain Pump

425 series for foodservice applications



Features

Integrated ice machine with bin, now available with drain pump. Up to 425lb (193 kg) of production and 80lb (36 kg) of storage capacity. Perfect for space limited facilities when sewerage installations don't allow to use standard gravity drainage. Less than 24.00" (61.0 cm) wide, the integrated icemaker will provide the capacity you need in a small footprint.

Undercounter application without the legs: 33.00"(83.8 cm) tall unit will fit under standard counters. Teflon glides allow it to slide easily into place. Freestanding: 39.00" (99.1 cm) tall with legs.

Consumer-preferred Micro Chewblet™ ice (also available as a flaker)

- preferred over cubes by more than 2:11
- easy to chew
- slow melting, maintains drink temperature and quality, comparable to cubes
- higher displacement than cube ice

Flake ice is perfect for display

- securely supports salad bar containers without tipping
- cradles fish and vegetables without bruising

High performance ice machines

- stainless steel evaporator, auger and top bearing provides durability
 - oversized, heavy duty, tapered roller bearing ensures long low-maintenance life
- semi-automatic cleaning cycle reduces maintenance costs
- regular flushing improves ice quality and reduces scale

Lower utility bills

- energy-efficient, no costly defrost cycles
- 25% less energy than comparable capacity cube machines
- 40% less water than comparable capacity cube machines

Designed for easy installation and service

- Integrated drain pump gives possibility to install device in place where installation is not available. Device can pump the waste water away up to 5 ft (1.5m) vertically and 15 ft (5m) horizontally
- front ventilated - no side, top or back clearance required
- rear utility access allows for rear electrical and plumbing connection with no rear clearance required
- bin and shroud may be removed for service and maintenance

Warranty

- 3 years parts and labor, 5 years compressor parts

Ice Production	Ice type	V/Hz/Ph	Product no.	Item no.
425 lb (193 kg)	Micro Chewblet™	220/60/1	UMC425A80P ¹	01231174
		230/50/1	UME425A80P ¹	01208107
	Flake	220/60/1	UFC425A80P ¹	01231182
		230/50/1	UFE425A80P ¹	01217272

[†] ENERGY STAR® certified

¹ Model ships EXW Incoterms 2010 – Wislina, Poland. Models not for use in the United States.



FOLLETT®

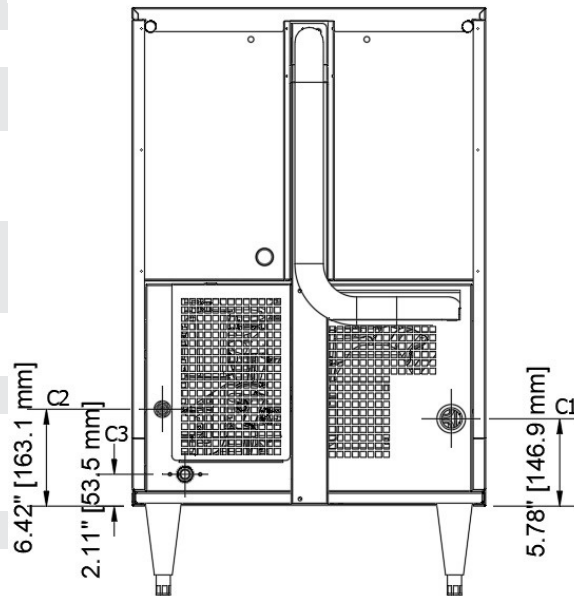
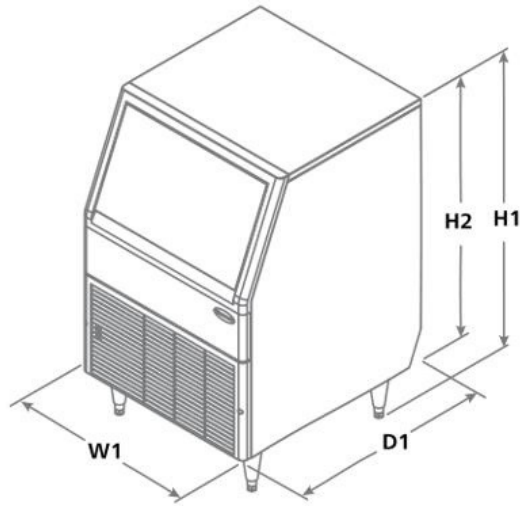
Specification

Ice storage capacity	75 lb (34 kg)
W1 Width	23.50" (59.7 cm)
D1 Depth	26.00" (66.0 cm)
H1 Height with legs	39.00" (99.0 cm)
H2 Height without legs	33.00" (83.8 cm)
Service and ventilation clearance	front ventilated - no side, top or back clearance required
Utility connection location	back

C1 Electrical 230 V/60/1	3.8 amps, cord only
C1 Electrical 230 V/50/1	5.1 amps, cord only
C2 Potable water inlet	3/8" push in
C3 Drain	3/8" push in
Air temperature	50 - 100 F (10 - 38 C)
Water temperature	40 - 90 F (4 - 32 C)
Potable water pressure	10 - 70 psi (69 - 483kpa)
Ice production at 70 F (21 C) air and 50 F (10 C) water	425 lb (193 kg)
Ice production at 90 F (32 C) air and 70 F (21 C) water	325 lb (147 kg)
Energy consumption 90 F (32 C) air; 70 F (21 C) water	5.4 kWh
Heat rejection	5,000 BTU/hr
Water consumption	12.0 gal (45.4 L) of potable water per 100 lb (45.4 kg) of ice
Approximate ship weight	185 lb (84 kg)

NOTE: For indoor use only. Designed for commercial use. Follett is not able to provide in-house services for residential installations.

Dimensional drawing



Incoterms is a trademark of the International Chamber of Commerce. ENERGY STAR and the ENERGY STAR mark are registered trademarks owned by the U.S. Environmental Protection Agency. Micro Chewblet™ is trademarks of Follett LLC.

Follett is a registered trademark of Follett LLC, registered in the US.

Follett reserves the right to change specifications at any time without obligation. Certifications may vary depending on country of origin.

Ice machine bin for foodservice