

B25 Storage Bin

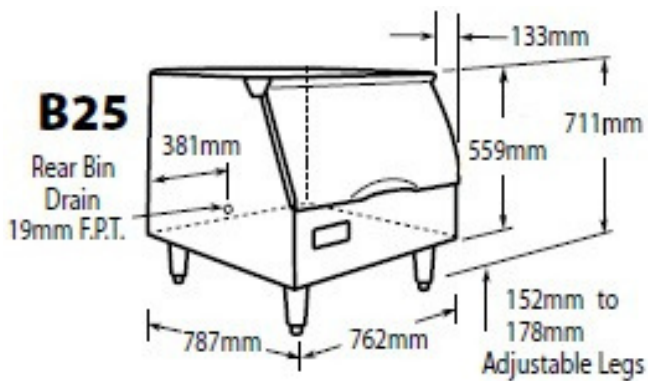


Features

- Capacity: 110kg
- Ultra-low profile - 711mm to 1270mm.
- Multiple bin tops provide an easy solution for mounting ice makers on different sized bins.
- Polyethylene bin liner is insulated with foam for maximum ice preservation - 38mm to 76mm.
- Perfect-fit seal for improved ice preservation.
- Rugged, fingerprint-proof door.
- Built-in ice scoop holders on certain models.
- Sturdy leg design - 152mm adjustable NSF approved legs -standard.
- Durable stainless finish.
- Corrosion-proof bin liner.

Warranty: 3 years parts and labour.

Specifications



| Bin Model No. | Ice Storage (kg) | Approx. Shipping Weight |
|---------------|------------------|-------------------------|
| B25 | 110 | 45 |