

Flat Glass Door 976L LED Display Freezer

| Vertical Display & Storage



Adjustable thermostat
for accurate temperature
maintenance

High-impact
LED lighting and
customizable lightbox

Powerful fan for even
circulation of cold air

Triple-glazed safety glass
doors increase energy
efficiency

Adjustable shelving
for flexibility in
display configuration

High-impact internal
lighting for perfect
product presentation

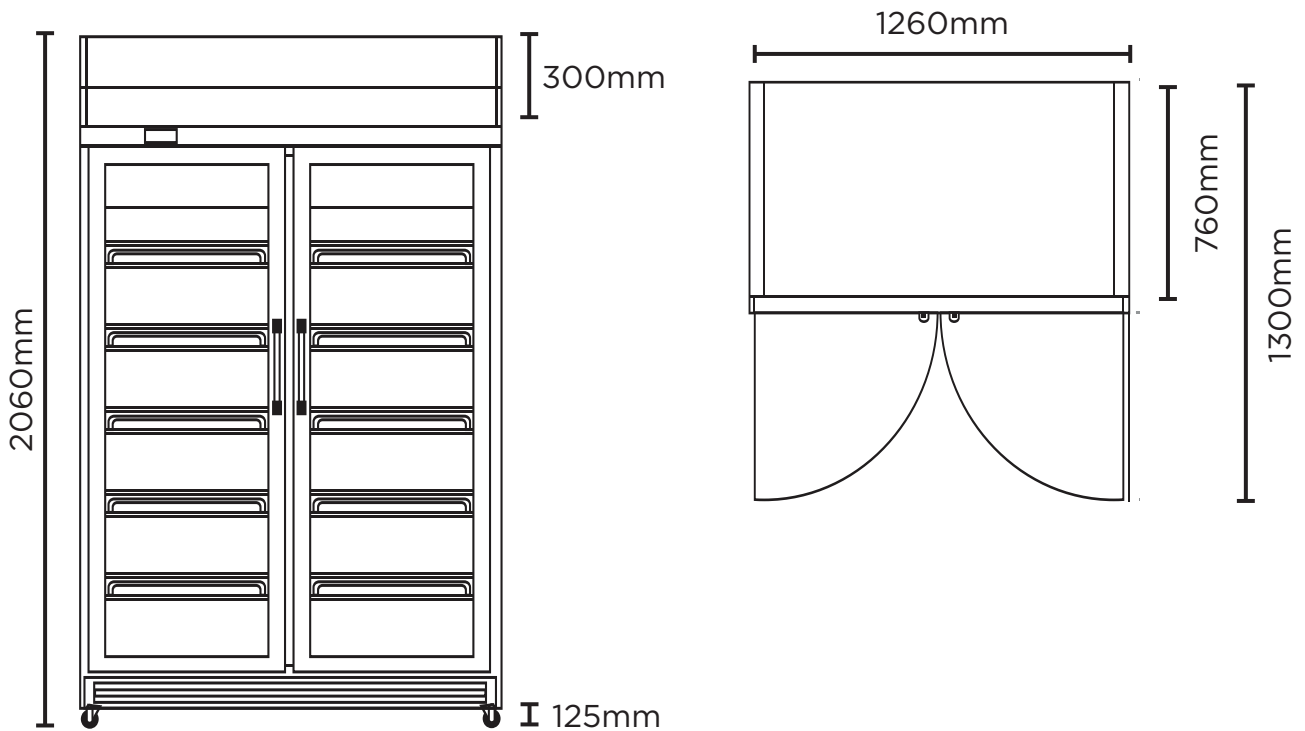
High-density
polyurethane insulation
keeps temperature and
energy consumption low

Self-closing
doors minimise
temperature loss

Lockable castors
make movement and
placement easy

Flat Glass Door 976L LED Display Freezer

| Vertical Display & Storage



SPECIFICATIONS **DIMENSIONS**

Model Number	UF1000LF	Colour	White with s/steel trim	External (mm)
Part Number	3736241	Display Light Box	Yes	Width 1260
Volume	976L	Internal Light	LED	Depth 760
Unit Weight	199	No. of Doors	2	Height 2060
Packaged Weight	204	Door Type	Glass	
Adjustable Temp. Range	-22 to -18°C	Door Glass Type	Triple glazed	Internal (mm)
Max. Ambient Temp.	38°C	Door Style	Hinged	Width 1143
Climate Class	3L1	Door Shape	Flat	Depth 550
Energy Consumption	21.5kWh/24h	Door Swing Dimension	720mm	Height 1420
GEMS Star Rating	3 stars	Total Depth of door open	1300mm	
Refrigeration Capacity	1600W	Self-Closing Door	Yes	Packaged (mm)
Refrigerant	R404a	Door Lock	Yes	Width 1330
Rated Current	8A	No. of Shelves incl Base	6	Depth 820
Electrical Voltage	220-240V	Shelf Type	Adjustable	Height 2100
Frequency	50Hz	Shelves Dimensions	546(w) x 475(d) mm	
Power Supply	Single Phase	Temp. Controller	Analogue	
Power Plug	1 x 10A	Castors	Digital	
Plug Location	Top right	Warranty	2 Years Bromic Extra Care Warranty - Labour and Parts	